



Customer information packet

CESSWDM3613T-5

5HP, 3480RPM, 3PH, 60HZ, 184TC, 3636M, TEFC, F1

Class - None

Division - Not Applicable

Specifications

Enclosure	TEFC
Frame	184TC
Frame Material	Stainless Steel
Frequency	60.00 Hz
Motor Letter Type	Three Phase
Output @ Frequency	5.000 HP @ 60 HZ
Phase	3
Synchronous Speed @ Frequency	3600 RPM @ 60 HZ
Voltage @ Frequency	575.0 V @ 60 HZ
XP Class and Group	None
XP Division	Not Applicable
Ambient Temperature	40 °C
Auxillary Box	No Auxillary Box
Auxillary Box Lead Termination	None
Base Indicator	Rigid
Bearing Grease Type	Polyrex EM (-20F +300F)
Blower	None
Current @ Voltage	4.630 A @ 575.0 V
Design Code	A
Drip Cover	No Drip Cover
Duty Rating	CONT
Efficiency @ 100% Load	90.2 %
Electrically Isolated Bearing	Not Electrically Isolated
Feedback Device	NO FEEDBACK
Front Face Code	Standard
Front Shaft Indicator	None
Heater Indicator	No Heater
High Voltage Full Load Amps	4.6 a
Insulation Class	F
Inverter Code	Not Inverter
KVA Code	N
Lifting Lugs	No Lifting Lugs

Part detail

Revision	V
Type	AC
Mech. spec.	36L738
Base	
Status	PRD/A
Elec. spec.	36WGS840
Layout	36LYL738
Eff. date	01-11-2023
CD Diagram	CD0006
Poles	02
Leads	3#16
Proprietary	False
Created date	02-07-2013

Locked Bearing Indicator	Locked Bearing
Motor Lead Exit	Ko Box
Motor Lead Quantity/Wire Size	3 @ 16 AWG
Motor Lead Termination	Flying Leads
Motor Standards	NEMA
Motor Type	3636M
Mounting Arrangement	F1
Number of Poles	2
Overall Length	18.32 IN
Power Factor	90
Product Family	Wash Down All Stainless Steel
Pulley End Bearing Type	Ball
Pulley Face Code	C-Face
Pulley Shaft Indicator	Standard
Rodent Screen	None
Service Factor	1.15
Shaft Diameter	1.125 IN
Shaft Extension Location	Pulley End
Shaft Ground Indicator	No Shaft Grounding
Shaft Rotation	Reversible
Shaft Slinger Indicator	No Slinger
Speed	3480 rpm
Speed Code	Single Speed
Starting Method	Direct on line
Thermal Device - Bearing	None
Thermal Device - Winding	None
Vibration Sensor Indicator	No Vibration Sensor
Winding Thermal 1	None
Winding Thermal 2	None

Nameplate

NP1953B05									
CAT.NO.	CESSWDM3613T-5								
SPEC.	36L738S840G1								
HP	5								
VOLTS	575								
AMP	4.63								
RPM	3480								
FRAME	184TC		HZ	60		PH	3		
SER.F.	1.15	CODE	N	DES	A	CLASS	F		
NEMA-NOM-EFF	90.2	PF	90						
RATING	40C AMB-CONT								
CC	010A	USABLE AT 208V							
DE	6206	ODE	6205						
ENCL	TEFC	SN							
	4:1CT 20:1VT								

AC Induction Motor Performance Data

Record # 50292

Typical performance - not guaranteed values

Winding: 36WGS840-R001		Type: 3636M	Enclosure: TEFC
Nameplate Data		575 V, 60 Hz: Single Voltage Motor	
Rated Output (HP)	5	Full Load Torque	7.53 LB-FT
Volts	575	Start Configuration	direct on line
Full Load Amps	4.63	Breakdown Torque	55.2 LB-FT
R.P.M.	3480	Pull-up Torque	30 LB-FT
Hz	60 Phase	Locked-rotor Torque	42.1 LB-FT
NEMA Design Code	A KVA Code	Starting Current	61 A
Service Factor (S.F.)	1.15	No-load Current	1.92 A
NEMA Nom. Eff.	90.2 Power Factor	Line-line Res. @ 25°C	2.71 Ω
Rating - Duty	40C AMB-CONT	Temp. Rise @ Rated Load	81°C
S.F. Amps		Temp. Rise @ S.F. Load	97°C
		Locked-rotor Power Factor	43.3
		Rotor inertia	0.161 LB-FT ²

Load Characteristics 575 V, 60 Hz, 5 HP

% of Rated Load	25	50	75	100	125	150	S.F.
Power Factor	50	74	85	90	92	93	91
Efficiency	82.7	88.5	90.4	90.5	90	88	90.2
Speed	3570	3545	3519	3492	3461	3430	3473
Line amperes	2.26	2.87	3.68	4.63	5.67	6.79	5.25

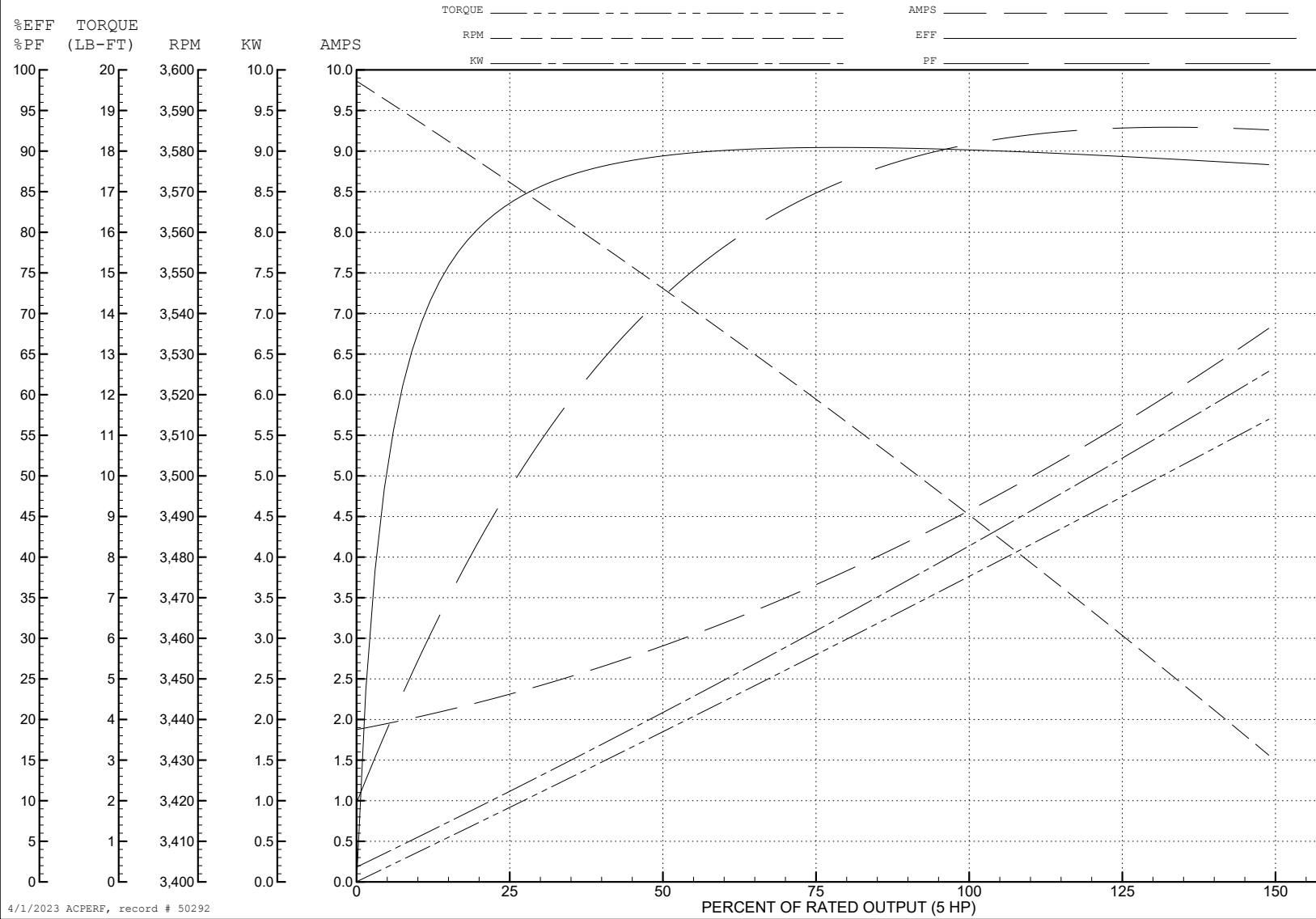
ABB Motors and Mechanical Inc.

WINDING # 36WGS840

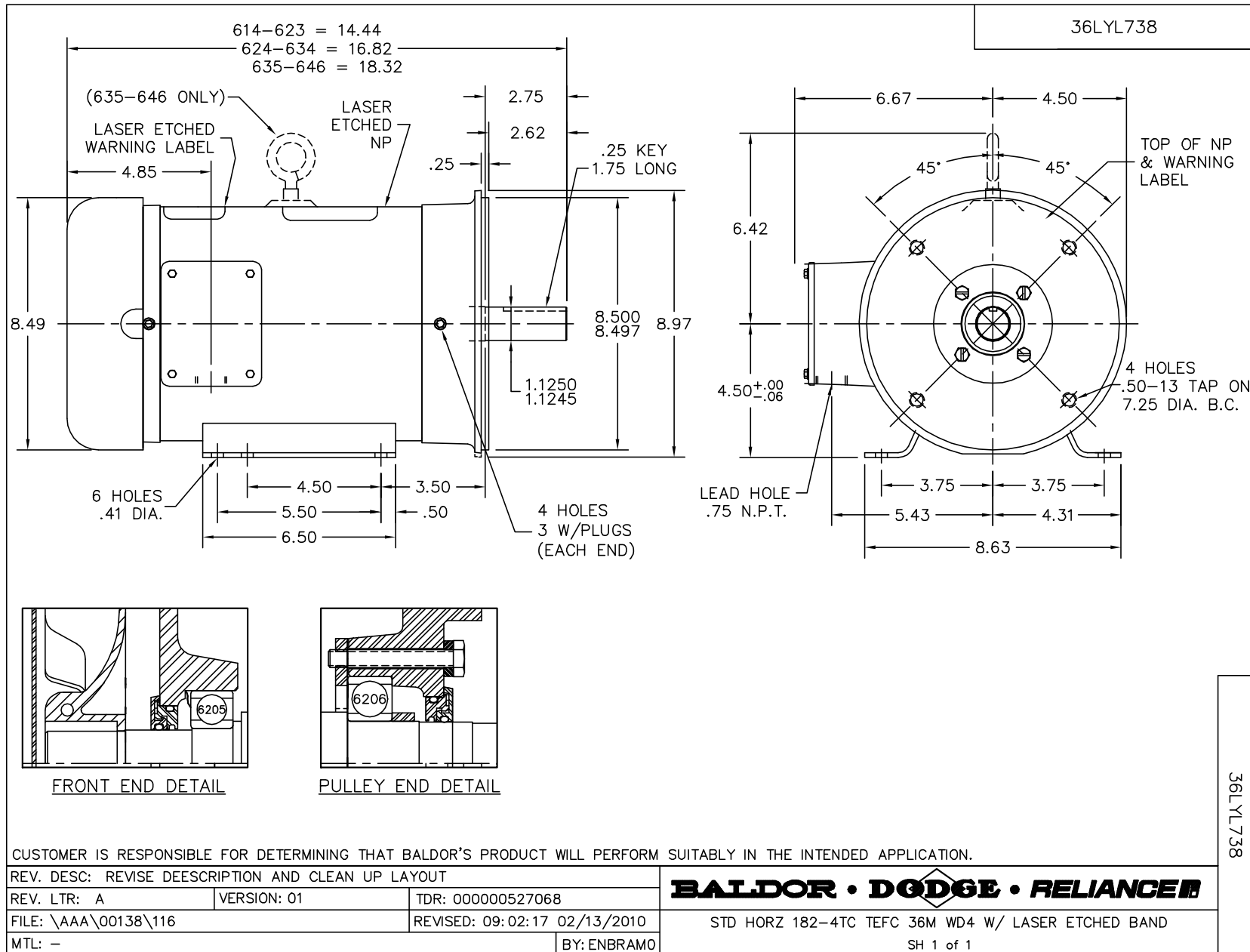
5 HP 3 PH 60 HZ 3480 RPM 575 V 3636M

Typical performance - not guaranteed values.

TORQUES (LB-FT): PO=55.2 PU=30 LR=42.1 LRA=61



4/1/2023 ACPERF, record # 50292



CD0006



NOTES:

1. THREE LEAD MOTOR MAY BE EITHER WYE CONNECTED OR DELTA CONNECTED.
2. INTERCHANGE ANY TWO LINE LEADS TO REVERSE ROTATION.
3. OPTIONAL THERMOSTATS ARE PROVIDED WHEN SPECIFIED.
4. ACTUAL NUMBER OF INTERNAL PARALLEL CIRCUITS MAY VARY.
5. LEAD COLORS ARE OPTIONAL. LEADS MUST BE NUMBERED AS SHOWN.

CD0006

REV. DESC: ADD CLASS CONN00000007		
REV. LTR: E	VERSION: 01	TDR: 000001099922
FILE: \AAA\00005\141	REVISED: 10:24:49 02/19/2019	BY: ENBRIRO
MTL: -	© □	

BALDOR - RELIANCE®

3PH, SV, 3 LEADS, WYE OR DELTA CONNECTED

SH 1 of 1