

BALDOR • RELIANCE

Customer information packet

CESSWDM3611T-5

3HP, 1760RPM, 3PH, 60HZ, 182TC, 3636M, TEFC, F1

Class -

Division - Not Applicable

Specifications

Enclosure	TEFC
Frame	182TC
Frame Material	Stainless Steel
Frequency	60.00 Hz
Haz Area Division	Not Applicable
Motor Letter Type	Three Phase
Output @ Frequency	3.000 HP @ 60 HZ
Phase	3
Synchronous Speed @ Frequency	1800 RPM @ 60 HZ
Voltage @ Frequency	575.0 V @ 60 HZ
Ambient Temperature	40 °C
Auxillary Box	No Auxillary Box
Auxillary Box Lead Termination	None
Base Indicator	Rigid
Bearing Grease Type	Polyrex EM (-20F +300F)
Blower	None
Current @ Voltage	3.190 A @ 575.0 V
Design Code	B
Drip Cover	No Drip Cover
Duty Rating	CONT
Efficiency @ 100% Load	89.5 %
Electrically Isolated Bearing	Not Electrically Isolated
Feedback Device	NO FEEDBACK
Front Face Code	Standard
Front Shaft Indicator	None
Heater Indicator	No Heater
High Voltage Full Load Amps	3.2 a
Insulation Class	F
Inverter Code	Inverter Ready
KVA Code	K
Lifting Lugs	No Lifting Lugs
Locked Bearing Indicator	Locked Bearing

Part detail

Revision	M
Type	AC
Mech. spec.	36L738
Base	
Status	PRD/A
Elec. spec.	36WGR715
Layout	36LYL738
Eff. date	10-04-2024
CD Diagram	CD0006
Poles	04
Leads	3#16
Proprietary	False
Created date	05-18-2016

Motor Lead Exit	Ko Box
Motor Lead Quantity/Wire Size	3 @ 16 AWG
Motor Lead Termination	Flying Leads
Motor Standards	NEMA
Motor Type	3636M
Mounting Arrangement	F1
Number of Poles	4
Overall Length	16.82 IN
Power Factor	76
Product Family	Wash Down All Stainless Steel
Pulley End Bearing Type	Ball
Pulley Face Code	C-Face
Pulley Shaft Indicator	Standard
Rodent Screen	None
RoHS Status	ROHS COMPLIANT
Service Factor	1.15
Shaft Diameter	1.125 IN
Shaft Extension Location	Pulley End
Shaft Ground Indicator	No Shaft Grounding
Shaft Rotation	Reversible
Shaft Slinger Indicator	No Slinger
Speed	1760 rpm
Speed Code	Single Speed
Starting Method	Direct on line
Thermal Device - Bearing	None
Thermal Device - Winding	None
Vibration Sensor Indicator	No Vibration Sensor

Nameplate

NP1953B05									
CAT.NO.	CESSWDM3611T-5								
SPEC.	36L738R715G1								
HP	3								
VOLTS	575								
AMP	3.19								
RPM	1760								
FRAME	182TC		HZ	60		PH	3		
SER.F.	1.15	CODE	K	DES	B	CLASS	F		
NEMA-NOM-EFF	89.5	PF	76						
RATING	40C AMB-CONT								
CC	010A	USABLE AT 208V	N/A						
DE	6206	ODE	6205						
ENCL	TEFC	SN							
	10:1CT 20:1VT								

AC Induction Motor Performance Data

Record # 59113

Typical performance - not guaranteed values

Winding: 36WGR715-R002		Type: 3636M	Enclosure: TEFC	
Nameplate Data			575 V, 60 Hz: Single Voltage Motor	
Rated Output (HP)		3	Full Load Torque	9.05 LB-FT
Volts		575	Start Configuration	direct on line
Full Load Amps		3.3	Breakdown Torque	34 LB-FT
R.P.M.		1760	Pull-up Torque	18.2 LB-FT
Hz	60 Phase	3	Locked-rotor Torque	21.4 LB-FT
NEMA Design Code	B KVA Code	K	Starting Current	26.8 A
Service Factor (S.F.)		1	No-load Current	1.77 A
NEMA Nom. Eff.	89.5 Power Factor	76	Line-line Res. @ 25°C	5.98 Ω
Rating - Duty		40C AMB-CONT	Temp. Rise @ Rated Load	63°C
			Locked-rotor Power Factor	41.8
			Rotor inertia	0.335 LB-FT ²

Load Characteristics 575 V, 60 Hz, 3 HP

% of Rated Load	25	50	75	100	125	150
Power Factor	36	57	69	76	80	83
Efficiency	82.4	88.2	89.7	89.7	88.9	88
Speed	1790	1781	1772	1761	1750	1737
Line amperes	1.93	2.26	2.74	3.32	3.95	4.66

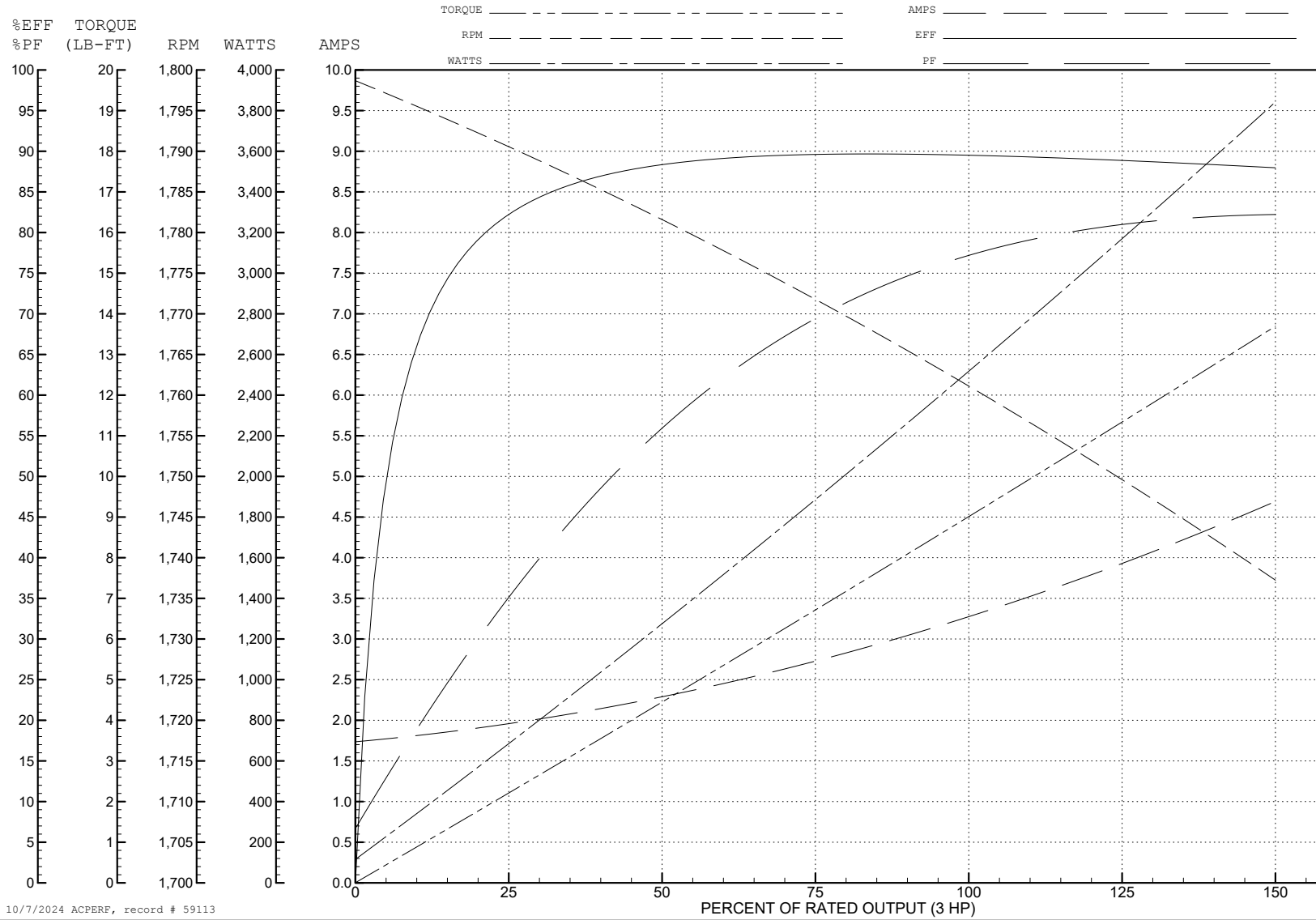
ABB Motors and Mechanical Inc.

WINDING # 36WGR715

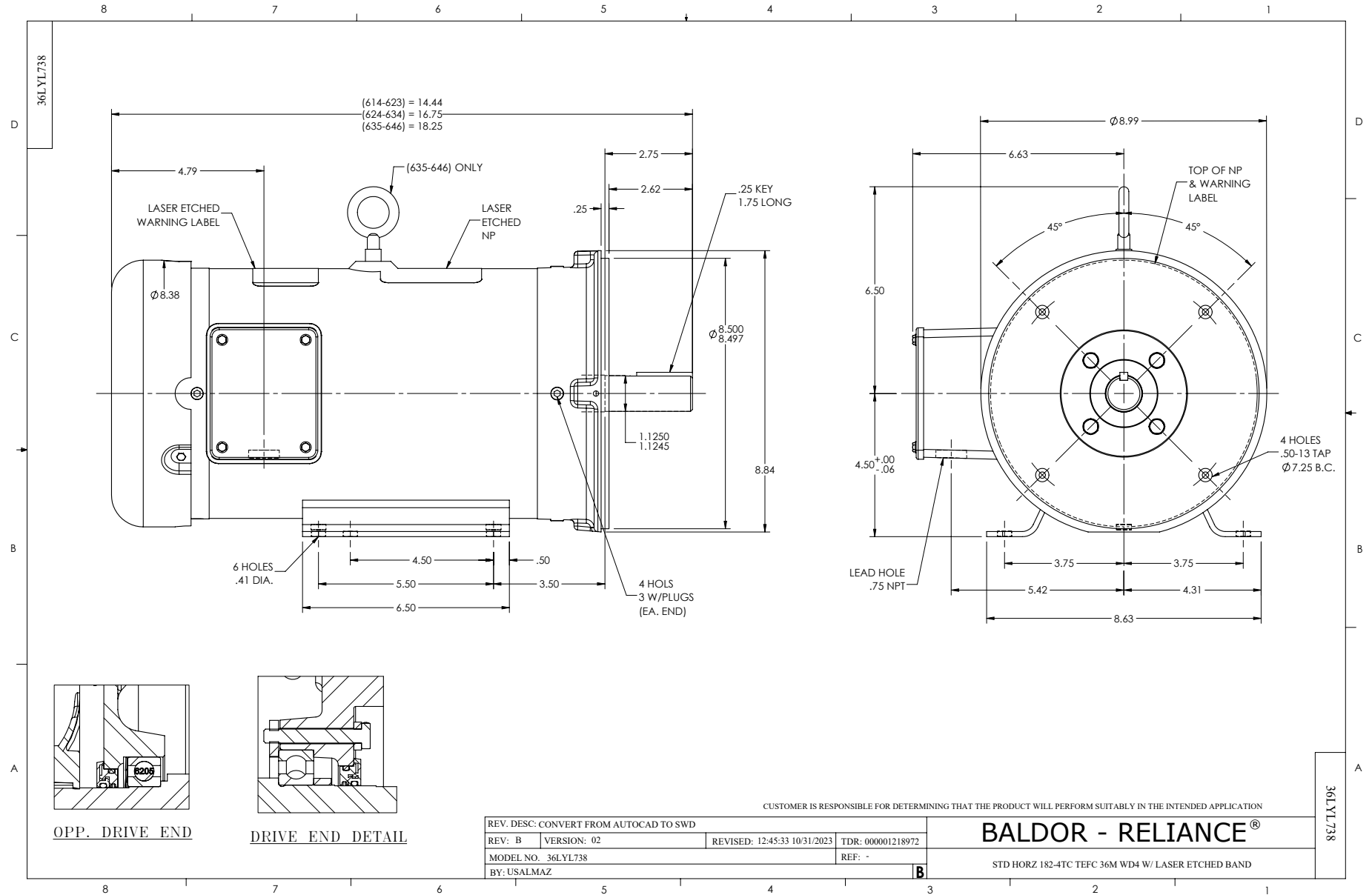
3 HP 3 PH 60 HZ 1760 RPM 575 V 3636M

Typical performance - not guaranteed values.

TORQUES (LB-FT): PO=34 PU=18.2 LR=21.4 LRA=26.8



10/7/2024 ACPERF, record # 59113



CD0006



NOTES:

1. THREE LEAD MOTOR MAY BE EITHER WYE CONNECTED OR DELTA CONNECTED.
2. INTERCHANGE ANY TWO LINE LEADS TO REVERSE ROTATION.
3. OPTIONAL THERMOSTATS ARE PROVIDED WHEN SPECIFIED.
4. ACTUAL NUMBER OF INTERNAL PARALLEL CIRCUITS MAY VARY.
5. LEAD COLORS ARE OPTIONAL. LEADS MUST BE NUMBERED AS SHOWN.

CD0006

REV. DESC: ADD CLASS CONN00000007		
REV. LTR: E	VERSION: 01	TDR: 000001099922
FILE: \AAA\00005\141	REVISED: 10:24:49 02/19/2019	BY: ENBRIRO
MTL: -	© □	

BALDOR - RELIANCE®

3PH, SV, 3 LEADS, WYE OR DELTA CONNECTED

SH 1 of 1