

**BALDOR® • RELIANCE™**

---

# Customer information packet

## CEM7073T

7.5HP, 3450RPM, 3PH, 60HZ, 184TC, 3646M, XPFC

Class - CLI GP D

Division - Division I

## Specifications

Enclosure	XPFC
Frame	184TC
Frame Material	Steel
Frequency	60.00 Hz
Motor Letter Type	Three Phase
Output @ Frequency	7.500 HP @ 60 HZ
Phase	3
Synchronous Speed @ Frequency	3600 RPM @ 60 HZ
Voltage @ Frequency	230.0 V @ 60 HZ 460.0 V @ 60 HZ
XP Class and Group	CLI GP D
XP Division	Division I
Agency Approvals	UL CSA
Ambient Temperature	40 °C
Auxillary Box	No Auxillary Box
Auxillary Box Lead Termination	None
Base Indicator	Rigid
Bearing Grease Type	Polyrex EM (-20F +300F)
Blower	None
Current @ Voltage	16.800 A @ 230.0 V 18.500 A @ 208.0 V 8.400 A @ 460.0 V
Design Code	A
Drip Cover	No Drip Cover
Duty Rating	CONT
Efficiency @ 100% Load	89.5 %
Electrically Isolated Bearing	Not Electrically Isolated
Feedback Device	NO FEEDBACK
Front Face Code	Standard
Front Shaft Indicator	None
Heater Indicator	No Heater

## Part detail

Revision	M
Type	AC
Mech. spec.	36N018
Base	
Status	PRD/A
Elec. spec.	36WGS428
Layout	36LYN018
Eff. date	08-04-2022
CD Diagram	CD0005
Poles	02
Leads	9#16
Proprietary	False
Created date	08-04-2010

High Voltage Full Load Amps	8.4 a
Insulation Class	B
Inverter Code	Not Inverter
KVA Code	L
Lifting Lugs	No Lifting Lugs
Locked Bearing Indicator	Locked Bearing
Motor Lead Exit	Ko Box
Motor Lead Quantity/Wire Size	9 @ 16 AWG
Motor Lead Termination	Flying Leads
Motor Standards	NEMA
Motor Type	3646M
Mounting Arrangement	F1
Number of Poles	2
Overall Length	20.36 IN
Power Factor	93
Product Family	General Purpose
Pulley End Bearing Type	Ball
Pulley Face Code	C-Face
Pulley Shaft Indicator	Standard
Rodent Screen	None
Service Factor	1.00
Shaft Diameter	1.125 IN
Shaft Extension Location	Pulley End
Shaft Ground Indicator	No Shaft Grounding
Shaft Rotation	Reversible
Shaft Slinger Indicator	No Slinger
Speed	3450 rpm
Speed Code	Single Speed
Starting Method	Direct on line
Thermal Device - Bearing	None
Thermal Device - Winding	Normally Closed Thermostat
Vibration Sensor Indicator	No Vibration Sensor
Winding Thermal 1	None
Winding Thermal 2	None

**XP Temp Code**

**T2C**

---

**Nameplate**

NP0015XPSLEV									
<b>NO.</b>		<b>CC</b>	010A						
<b>SER.</b>									
<b>SPEC.</b>	36N018S428G1								
<b>CAT.NO.</b>	CEM7073T								
<b>HP</b>	7.5	<b>T. CODE</b>	T2C						
<b>VOLTS</b>	230/460								
<b>AMPS</b>	16.8/8.4								
<b>RPM</b>	3450								
<b>HZ</b>	60	<b>PH</b>	3	<b>CL</b>	B				
<b>SER.F.</b>	1.00	<b>DES</b>	A	<b>CODE</b>	L				
<b>RATING</b>	40C AMB-CONT								
<b>FRAME</b>	184TC	<b>NEMA-NOM-EFF</b>	89.5						
<b>USABLE AT 208V</b>	18.5	<b>PF</b>	93						
<b>BLANK</b>									

**AC Induction Motor Performance Data**

Record # 35731

Typical performance - not guaranteed values

<b>Winding:</b> 36WGS428-R004		<b>Type:</b> 3646M		<b>Enclosure:</b> XPFC	
<b>Nameplate Data</b>			<b>460 V, 60 Hz: High Voltage Connection</b>		
<b>Rated Output (HP)</b>	7.5		<b>Full Load Torque</b>	11.4 LB-FT	
<b>Volts</b>	230/460		<b>Start Configuration</b>	direct on line	
<b>Full Load Amps</b>	16.8/8.4		<b>Breakdown Torque</b>	57.9 LB-FT	
<b>R.P.M.</b>	3450		<b>Pull-up Torque</b>	39.9 LB-FT	
<b>Hz</b>	<b>60 Phase</b>	<b>3</b>	<b>Locked-rotor Torque</b>	48.2 LB-FT	
<b>NEMA Design Code</b>	<b>A KVA Code</b>	<b>L</b>	<b>Starting Current</b>	91 A	
<b>Service Factor (S.F.)</b>	<b>1</b>		<b>No-load Current</b>	2.33 A	
<b>NEMA Nom. Eff.</b>	<b>89.5 Power Factor</b>	<b>93</b>	<b>Line-line Res. @ 25°C</b>	1.43 Ω	
<b>Rating - Duty</b>	<b>40C AMB-CONT</b>		<b>Temp. Rise @ Rated Load</b>	74°C	
			<b>Locked-rotor Power Factor</b>	44	
			<b>Rotor inertia</b>	0.205 LB-FT <sup>2</sup>	

**Load Characteristics 460 V, 60 Hz, 7.5 HP**

<b>% of Rated Load</b>	<b>25</b>	<b>50</b>	<b>75</b>	<b>100</b>	<b>125</b>	<b>150</b>
<b>Power Factor</b>	64	85	90	93	94	94
<b>Efficiency</b>	86.9	90.6	91	90.1	88.8	86.5
<b>Speed</b>	3571	3539	3505	3468	3429	3385
<b>Line amperes</b>	3.14	4.59	6.43	8.43	10.5	12.9

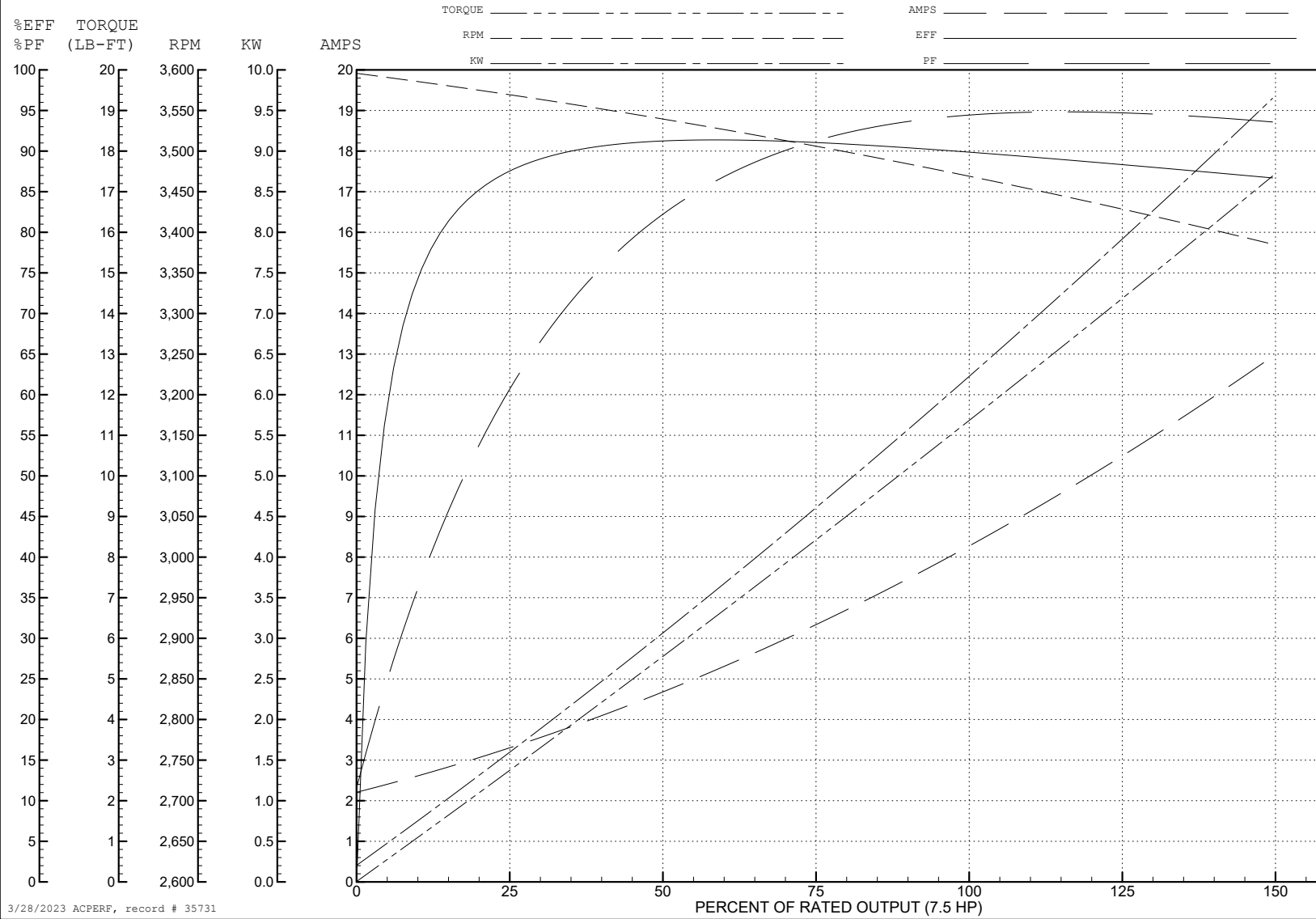
ABB Motors and Mechanical Inc.

WINDING # 36WGS428

7.5 HP 3 PH 60 HZ 3450 RPM 460 V 3646M

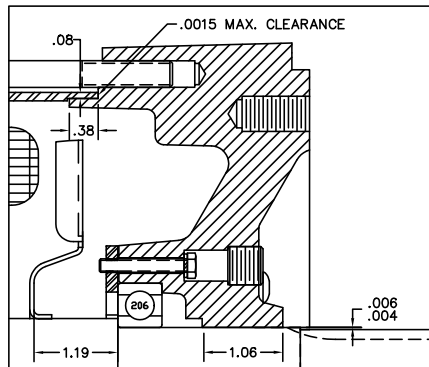
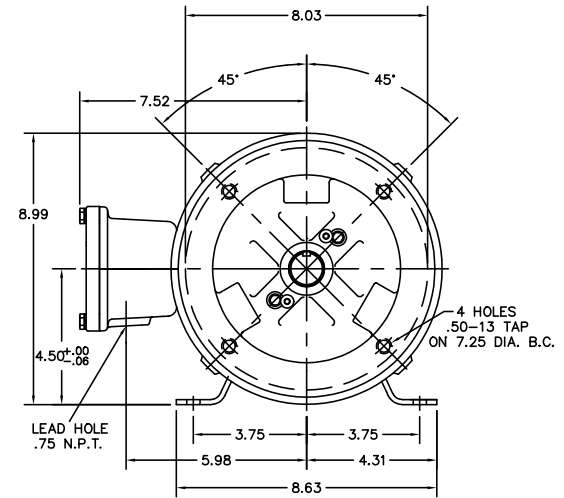
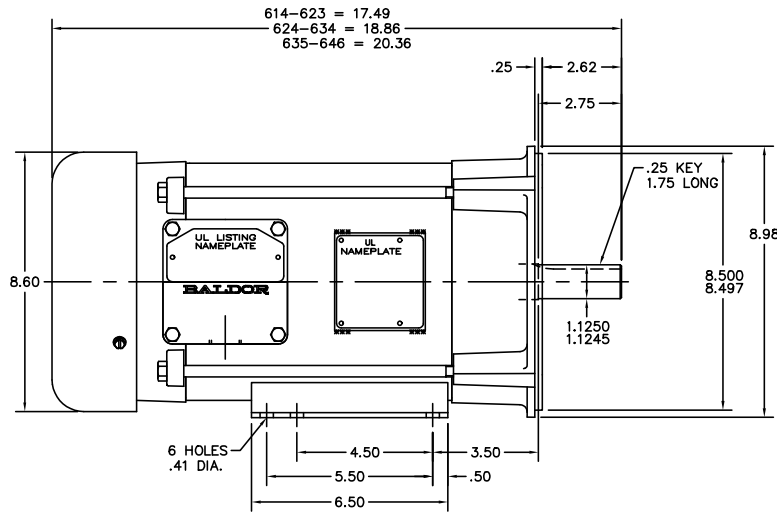
Typical performance - not guaranteed values.

TORQUES (LB-FT): PO=57.9 PU=39.9 LR=48.2 LRA=91



3/28/2023 ACPERF, record # 35731

36LYN018



PULLEY END DETAIL

UL CLASS I - GROUP D

CUST. NAME		CUST. P.O.		CERTIFIED BY		MODEL		INSUL		AMB	
H.P.	MTG	TYPE	R.P.M.	VOLTS	ENCL	PHASE	FREQ	FRAME			
REV. DESC: CHG'D FH TO 36FH4009A02											
REV. LTR: G				BY: JED		REVISED: 06/03/99 2:19		TDR: 0183318			
FILE: AAA00004733						MDL: -					
MTL: -											
						<b>BALDOR ELECTRIC Co.</b>					
						STD HORZ 182-4TC XPFC 36M CL I-GP D					

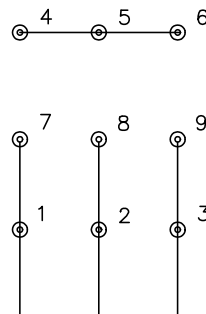
36LYN018



CD0005

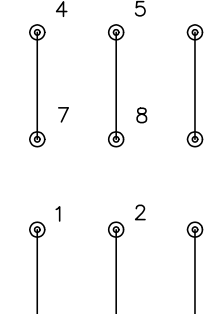


LOW VOLTAGE  
(2Y)



LINE

HIGH VOLTAGE  
(1Y)



LINE

NOTES:

1. INTERCHANGE ANY TWO LINE LEADS TO REVERSE ROTATION.
2. OPTIONAL THERMOSTATS ARE PROVIDED WHEN SPECIFIED.
3. ACTUAL NUMBER OF INTERNAL PARALLEL CIRCUITS MAY BE A MULTIPLE OF THOSE SHOWN ABOVE.
4. LEAD COLORS ARE OPTIONAL. LEADS MUST ALWAYS BE NUMBERED AS SHOWN.

CD0005

REV. DESC: REVISE TO SHOW OPTIONAL COLORS			
REV. LTR: E	BY: JLP	REVISED: 01/19/99 10:15	TDR: 0171435
S00000		FILE: AAA00005140	MDL: -
		MTL: -	

**BALDOR ELECTRIC Co.**

3PH, DV, 9 LEADS