

**BALDOR • RELIANCE**

---

# Customer information packet

## CEM4400TS

100HP, 1785RPM, 3PH, 60HZ, 405TSC, TEFC, F1

Class - None

Division - Not Applicable

Copyright © All product information within this document is subject to ABB Motors and Mechanical Inc. copyright © protection, unless otherwise noted.

9/12/2024 9:14:39 PM

## Specifications

Enclosure	TEFC
Frame	405TSC
Frame Material	Iron
Frequency	60.00 Hz
Haz Area Class and Group	None
Haz Area Division	Not Applicable
Motor Letter Type	Three Phase
Output @ Frequency	100.000 HP @ 60 HZ
Phase	3
Synchronous Speed @ Frequency	1800 RPM @ 60 HZ
Voltage @ Frequency	230.0 V @ 60 HZ 460.0 V @ 60 HZ
Agency Approvals	CCSAUSEEV
Ambient Temperature	40 °C
Auxillary Box	No Auxillary Box
Base Indicator	Rigid
Bearing Grease Type	Polyrex EM (-20F +300F)
Current @ Voltage	112.000 A @ 460.0 V 224.000 A @ 230.0 V
Design Code	B
Drip Cover	No Drip Cover
Duty Rating	CONT
Efficiency @ 100% Load	95.4 %
Feedback Device	NO FEEDBACK
Heater Indicator	No Heater
High Voltage Full Load Amps	112.0 a
Insulation Class	F
Inverter Code	Inverter Ready
IP Rating	NONE
KVA Code	G
Lifting Lugs	Standard Lifting Lugs
Motor Lead Quantity/Wire Size	3 @ 2 AWG

## Part detail

Revision	H
Type	AC
Mech. spec.	
Base	
Status	PRD/A
Elec. spec.	A40WGO692
Layout	617437-221
Eff. date	09-04-2024
CD Diagram	416820-002
Poles	04
Leads	3#2,6#4
Proprietary	False
Created date	08-08-2014

<b>Motor Standards</b>	NEMA
<b>Motor Type</b>	A40064M
<b>Mounting Arrangement</b>	F1
<b>Number of Poles</b>	4
<b>Overall Length</b>	35.31 IN
<b>Power Factor</b>	87
<b>Product Family</b>	General Industrial
<b>Pulley End Bearing Type</b>	Ball
<b>Pulley Face Code</b>	C-Face
<b>Service Factor</b>	1.15
<b>Shaft Diameter</b>	2.125 IN
<b>Shaft Ground Indicator</b>	No Shaft Grounding
<b>Shaft Rotation</b>	Reversible
<b>Shaft Slinger Indicator</b>	No Slinger
<b>Speed</b>	1785 rpm
<b>Speed Code</b>	Single Speed
<b>Starting Method</b>	Direct on line
<b>Thermal Device - Bearing</b>	None
<b>Thermal Device - Winding</b>	None

**Nameplate**

**NP2496L**



**NP2349L**

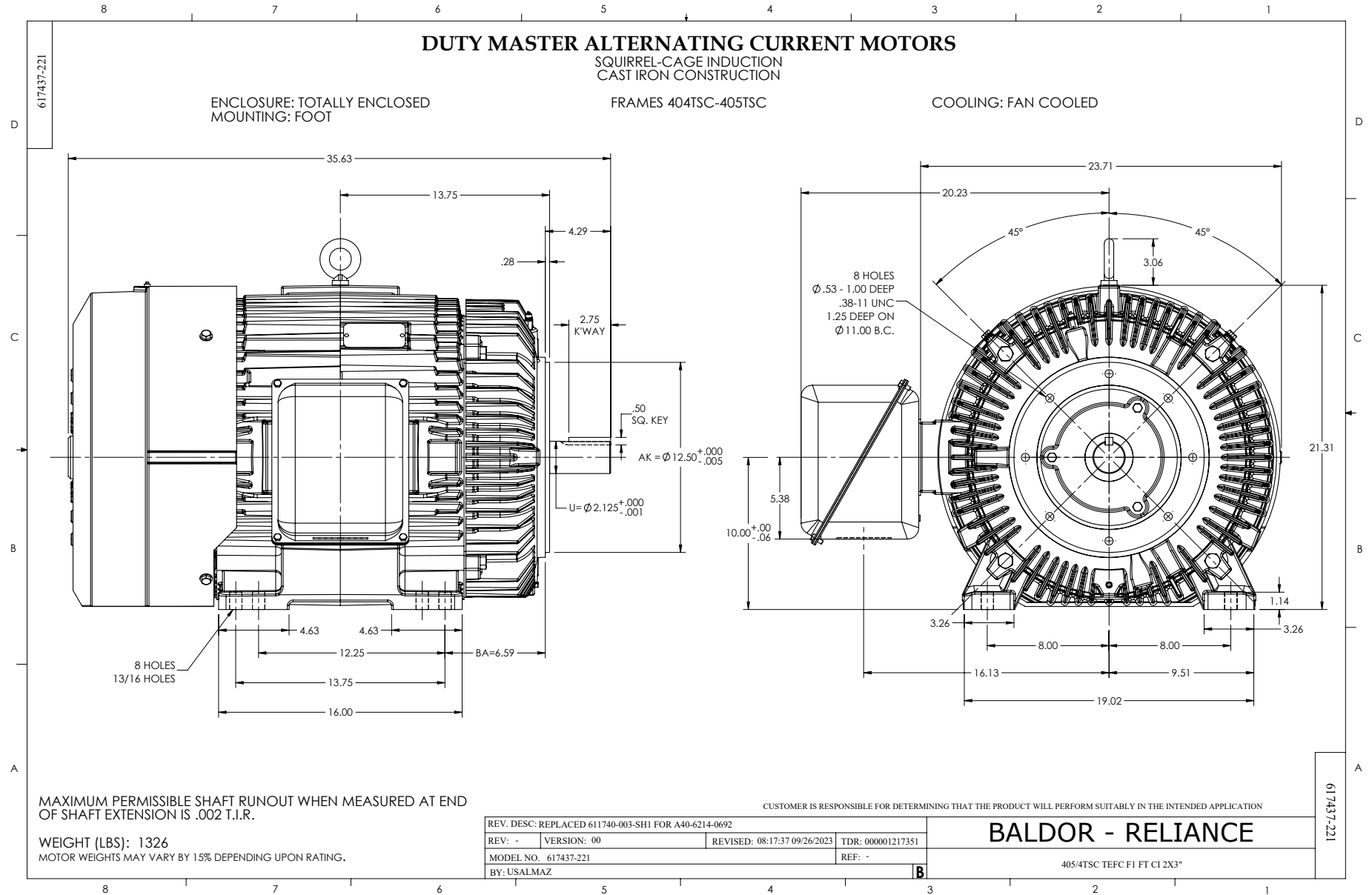
<b>SPEC NO.</b>	A40-6214-0692	<b>CAT.NO.</b>	CEM4400TS	<b>FRAME</b>	405TSC				
<b>HP</b>	100	<b>VOLTS</b>	230/460	<b>PHASE</b>	3	<b>DESIGN</b>	B	<b>TYPE</b>	P
<b>RPM</b>	1785	<b>AMPS</b>	224/112	<b>HZ</b>	60	<b>AMB</b>	40	<b>SF</b>	1.15
<b>DRIVE END BEARING</b>		<b>DUTY</b>	CONT	<b>INSUL.CLASS</b>	F				
<b>OPP D.E. BEARING</b>		<b>ENCL</b>	TEFC	<b>CODE</b>	G				
<b>SER.NO.</b>		<b>POWER FACTOR</b>	87	<b>NEMA-NOM-EFFICIENCY</b>	95.4				
				<b>MAX CORR KVAR</b>	18	<b>GUARANTEED EFFICIENCY</b>	94.5		
				<b>NEMA NOM/CSA QUOTED EFF</b>					
				<b>MOTOR WEIGHT</b>					





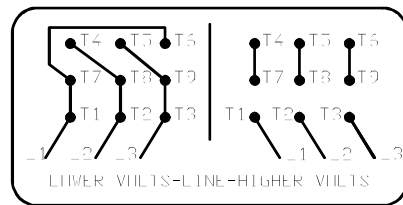
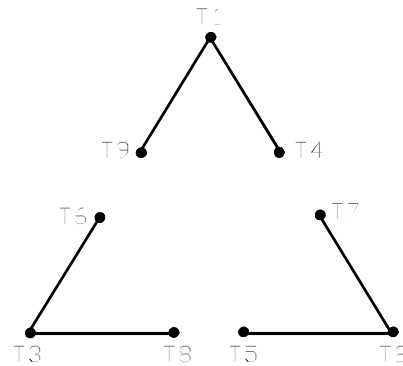






416820-002

A-C MOTOR  
 CONNECTION DIAGRAM  
 STANDARD 9 LEAD DELTA-CONNECTED



(N.P. 1575-B)

416820-002

REV. DESC: FONT CHANGE FOR PDF SEARCHABLE		
REV. LTR: A	VERSION: 01	TDR: 000001009382
FILE: \MGA\00000\661	REVISED: 02:46:19 02/13/2020	BY: MGHMTT
MTL: -	© □	

**BALDOR - RELIANCE®**

CONN DIAG - STANDARD 9 LEAD, DELTA-CONNECTED

SH 1 of 1