

**BALDOR • RELIANCE**

---

# Customer information packet

## CEM4108T

30HP, 3525RPM, 3PH, 60HZ, 286TSC, 1048M, TEFC

Class - None

Division - Not Applicable

Copyright © All product information within this document is subject to ABB Motors and Mechanical Inc. copyright © protection, unless otherwise noted.

4/16/2024 10:27:16 PM

## Specifications

Enclosure	TEFC
Frame	286TSC
Frame Material	Iron
Frequency	60.00 Hz
Motor Letter Type	Three Phase
Output @ Frequency	30.000 HP @ 60 HZ
Phase	3
Synchronous Speed @ Frequency	3600 RPM @ 60 HZ
Voltage @ Frequency	460.0 V @ 60 HZ 230.0 V @ 60 HZ
XP Class and Group	None
XP Division	Not Applicable
Agency Approvals	CSA EEV NEMA PREMIUM NEMA_PREMIUM UR
Ambient Temperature	40 °C
Auxillary Box	No Auxillary Box
Auxillary Box Lead Termination	None
Base Indicator	Rigid
Bearing Grease Type	Polyrex EM (-20F +300F)
Blower	None
Current @ Voltage	34.000 A @ 460.0 V 68.000 A @ 230.0 V
Design Code	B
Drip Cover	No Drip Cover
Duty Rating	CONT
Efficiency @ 100% Load	91.7 %
Electrically Isolated Bearing	Not Electrically Isolated
Feedback Device	NO FEEDBACK
Front Face Code	Standard
Front Shaft Indicator	None

## Part detail

Revision	H
Type	AC
Mech. spec.	10E346
Base	
Status	PRD/A
Elec. spec.	10WGZ501
Layout	10LYE346
Eff. date	07-19-2023
CD Diagram	CD0180
Poles	02
Leads	9#10
Proprietary	False
Created date	08-31-2017

Heater Indicator	No Heater
High Voltage Full Load Amps	34.0 a
Insulation Class	F
Inverter Code	Inverter Duty
KVA Code	G
Lifting Lugs	Standard Lifting Lugs
Locked Bearing Indicator	Locked Bearing
Motor Lead Exit	Ko Box
Motor Lead Quantity/Wire Size	9 @ 10 AWG
Motor Lead Termination	Flying Leads
Motor Standards	NEMA
Motor Type	1048M
Mounting Arrangement	F1
Number of Poles	2
Overall Length	26.39 IN
Power Factor	90
Product Family	General Purpose
Pulley End Bearing Type	Ball
Pulley Face Code	C-Face
Pulley Shaft Indicator	Standard
Rodent Screen	None
Service Factor	1.15
Shaft Diameter	1.625 IN
Shaft Extension Location	Pulley End
Shaft Ground Indicator	No Shaft Grounding
Shaft Rotation	Reversible
Shaft Slinger Indicator	Shaft Slinger
Speed	3525 rpm
Speed Code	Single Speed
Starting Method	Direct on line
Thermal Device - Bearing	None
Thermal Device - Winding	None
Vibration Sensor Indicator	No Vibration Sensor
Winding Thermal 1	None

**Winding Thermal 2**

**None**

---

**Nameplate**

**NP3443LUA**

<b>CAT.NO.</b>	CEM4108T			<b>CUST. P/N</b>			<b>ENCL</b>	<b>TEFC</b>
<b>SPEC.</b>	10E346Z501G1	<b>CC</b>	010A	<b>FRAME</b>	286TSC		<b>SER.NO.</b>	
<b>HP</b>	30	<b>CLASS</b>	F	<b>HZ</b>	60			
<b>R.P.M.</b>	3525	<b>PH.</b>	3	<b>DES.</b>	B			
<b>VOLTS</b>	230/460	<b>CODE</b>	G	<b>ODE BRG</b>	6309	<b>DE BRG</b>	6311	
<b>AMPS</b>	68/34	<b>USABLE AT 208V</b>	N/A					
<b>RATING</b>	40C AMB-CONT	<b>NEMA NOM. EFF.</b>	91.7	<b>GREASE</b>	POLYREX EM			
<b>P.F.</b>	90	<b>SER.F.</b>	1.15	<b>CT6-60H(10:1)VT3-60H(20:1)</b>				
<b>USABLE AT</b>	50Hz 30HP 190/380V 82/41A			SF1.0				
<b>VOLTS</b>	<b>AMPS</b>	<b>MAX. SPACE HEATER TEMP.</b>						

**AC Induction Motor Performance Data**

Record # 55452

Typical performance - not guaranteed values

<b>Winding: 10WGZ501-R001</b>		<b>Type: 1048M</b>		<b>Enclosure: TEFC</b>	
<b>Nameplate Data</b>			<b>460 V, 60 Hz: High Voltage Connection</b>		
Rated Output (HP)		30	Full Load Torque		44.8 LB-FT
Volts		230/460	Start Configuration		direct on line
Full Load Amps		68/34	Breakdown Torque		135 LB-FT
R.P.M.		3520	Pull-up Torque		47 LB-FT
Hz	60 Phase	3	Locked-rotor Torque		65.2 LB-FT
NEMA Design Code	B KVA Code	G	Starting Current		212 A
Service Factor (S.F.)		1.15	No-load Current		8.74 A
NEMA Nom. Eff.	91.7 Power Factor	90	Line-line Res. @ 25°C		0.24052 Ω
Rating - Duty		40C AMB-CONT	Temp. Rise @ Rated Load		69°C
S.F. Amps			Temp. Rise @ S.F. Load		85°C
			Locked-rotor Power Factor		23.2

**Load Characteristics 460 V, 60 Hz, 30 HP**

<b>% of Rated Load</b>	<b>25</b>	<b>50</b>	<b>75</b>	<b>100</b>	<b>125</b>	<b>150</b>	<b>S.F.</b>
Power Factor	67	83	88	90	90	90	90
Efficiency	87	91.3	92	91.7	90.9	89.7	91.2
Speed	3583	3565.7	3547.3	3526.7	3504.4	3479.1	3513
Line amperes	12.4	18.7	26.1	34.1	43.1	52.5	39.5

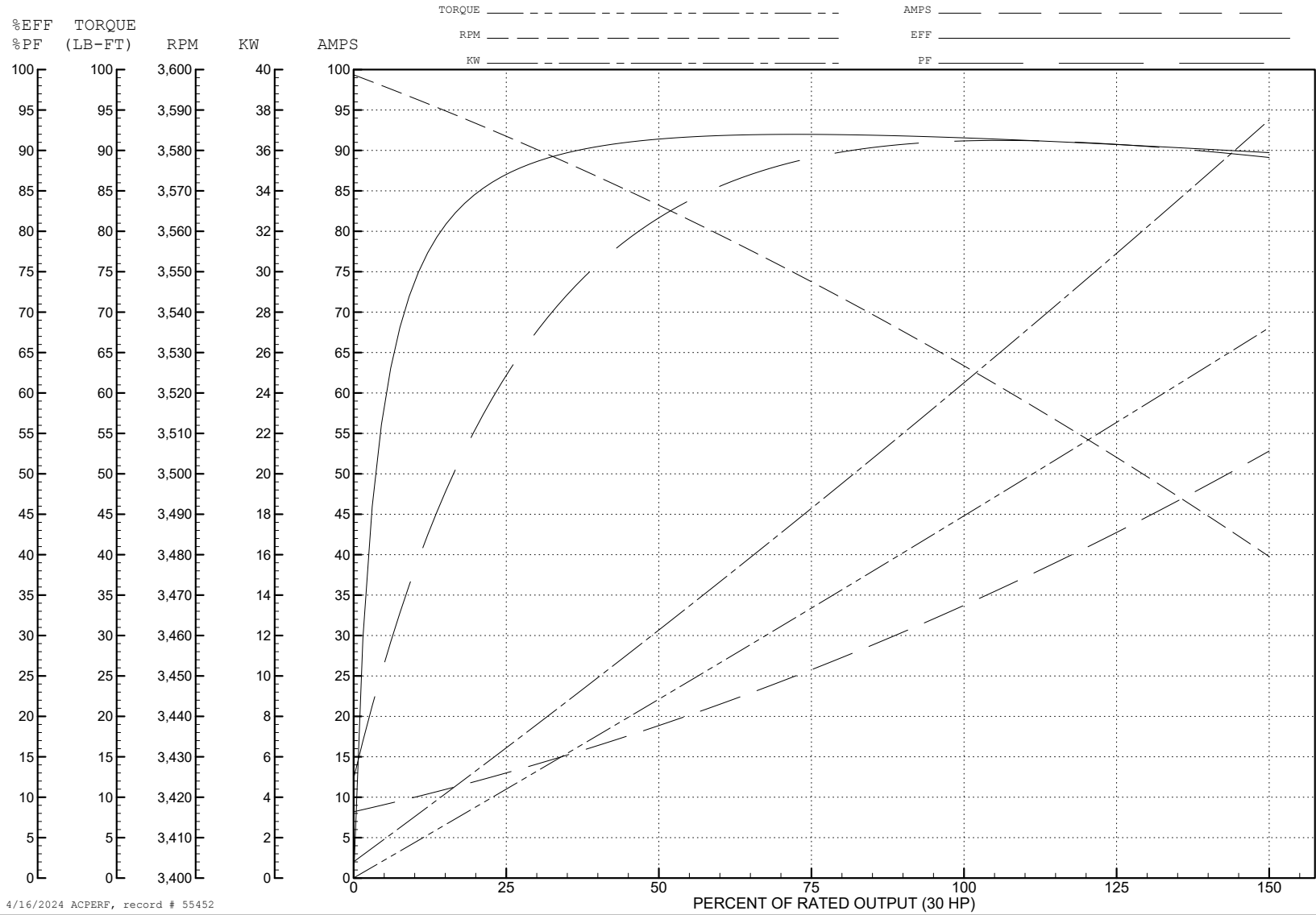
ABB Motors and Mechanical Inc.

WINDING # 10WGZ501

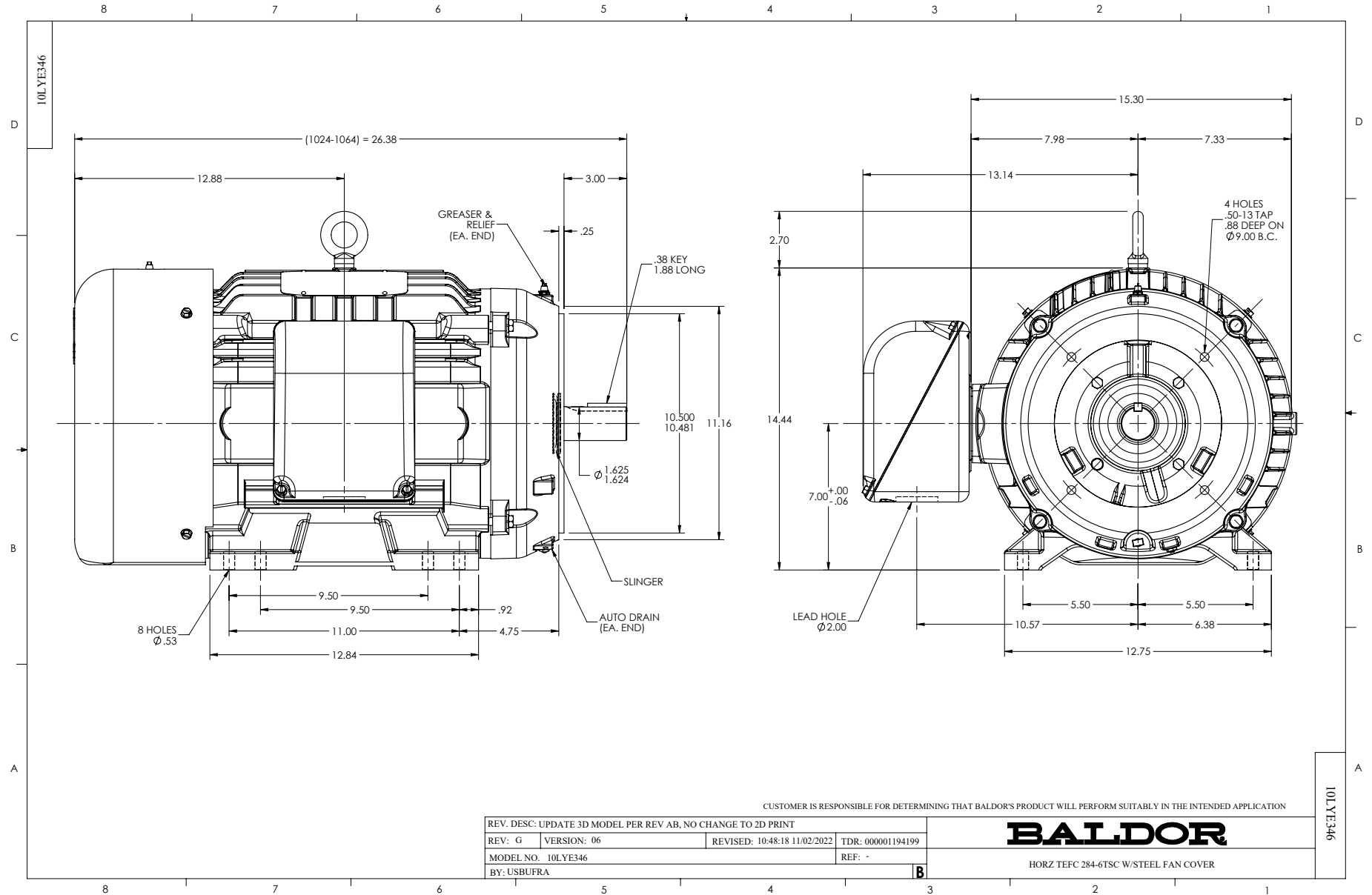
30 HP 3 PH 60 HZ 3520 RPM 460 V 1048M

Typical performance - not guaranteed values.

TORQUES (LB-FT): PO=135 PU=47 LR=65.2 LRA=212



4/16/2024 ACPERF, record # 55452





CD0180



LOW VOLTAGE  
(2D)



HIGH VOLTAGE  
(1D)



NOTES:

1. INTERCHANGE ANY TWO LINE LEADS TO REVERSE ROTATION.
2. OPTIONAL THERMOSTATS ARE PROVIDED WHEN SPECIFIED.
3. ACTUAL NUMBER OF INTERNAL PARALLEL CIRCUITS MAY BE A MULTIPLE OF THOSE SHOWN ABOVE.
4. LEAD COLORS ARE OPTIONAL. LEADS MUST ALWAYS BE NUMBERED AS SHOWN.

CD0180

REV. DESC: ADD CLASS CONN00000007		
REV. LTR: D	VERSION: 01	TDR: 000001099922
FILE: \AAA\00005\148	REVISED: 10: 25: 29 02/19/2019	BY: ENBRIRO
MTL: -	© □	

**BALDOR - RELIANCE®**

3PH, DV, 9 LEADS, DELTA CONNECTION

SH 1 of 1