



Customer information packet

CEM4103T

25HP, 1775RPM, 3PH, 60HZ, 284TC, 1054M, TEFC, F

Class - None

Division - Not Applicable

Specifications

Enclosure	TEFC
Frame	284TC
Frame Material	Iron
Frequency	60.00 Hz
Haz Area Class and Group	None
Haz Area Division	Not Applicable
Motor Letter Type	Three Phase
Output @ Frequency	25.000 HP @ 60 HZ
Phase	3
Synchronous Speed @ Frequency	1800 RPM @ 60 HZ
Voltage @ Frequency	460.0 V @ 60 HZ 230.0 V @ 60 HZ
Agency Approvals	NEMA PREMIUM NEMA_PREMIUM UR CSA EEV
Ambient Temperature	40 °C
Auxillary Box	No Auxillary Box
Auxillary Box Lead Termination	None
Base Indicator	Rigid
Bearing Grease Type	Polyrex EM (-20F +300F)
Blower	None
Current @ Voltage	62.000 A @ 230.0 V 64.000 A @ 208.0 V 31.000 A @ 460.0 V
Design Code	A
Drip Cover	No Drip Cover
Duty Rating	CONT
Efficiency @ 100% Load	93.6 %
Electrically Isolated Bearing	Not Electrically Isolated
Feedback Device	NO FEEDBACK
Front Face Code	Standard

Part detail

Revision	L
Type	AC
Mech. spec.	10C152
Base	
Status	PRD/A
Elec. spec.	10WGZ651
Layout	10LYC152
Eff. date	07-19-2023
CD Diagram	CD0180
Poles	04
Leads	9#10
Proprietary	False
Created date	10-19-2017

Front Shaft Indicator	None
Heater Indicator	No Heater
High Voltage Full Load Amps	31.0 a
Insulation Class	F
Inverter Code	Inverter Ready
KVA Code	J
Lifting Lugs	Standard Lifting Lugs
Locked Bearing Indicator	Locked Bearing
Motor Lead Exit	Ko Box
Motor Lead Quantity/Wire Size	9 @ 10 AWG
Motor Lead Termination	Flying Leads
Motor Standards	NEMA
Motor Type	1054M
Mounting Arrangement	F1
Number of Poles	4
Overall Length	27.76 IN
Power Factor	81
Product Family	General Purpose
Pulley End Bearing Type	Ball
Pulley Face Code	C-Face
Pulley Shaft Indicator	Standard
Rodent Screen	None
Service Factor	1.15
Shaft Diameter	1.875 IN
Shaft Extension Location	Pulley End
Shaft Ground Indicator	No Shaft Grounding
Shaft Rotation	Reversible
Shaft Slinger Indicator	Shaft Slinger
Speed	1775 rpm
Speed Code	Single Speed
Starting Method	Direct on line
Thermal Device - Bearing	None
Thermal Device - Winding	None
Vibration Sensor Indicator	No Vibration Sensor

Winding Thermal 1	None
Winding Thermal 2	None

Nameplate

NP3443LUA

CAT.NO.	CEM4103T	CUST. P/N				ENCL	TEFC
SPEC.	10C152Z651G1	CC	010A	FRAME	284TC	SER.NO.	
HP	25	CLASS	F	HZ	60		
R.P.M.	1775	PH.	3	DES.	A		
VOLTS	230/460	CODE	J	ODE BRG	6309	DE BRG	6311
AMPS	62/31	USABLE AT 208V		N/A			
RATING	40C AMB-CONT	NEMA NOM. EFF.		93.6	GREASE	POLYREX EM	
P.F.	81	SER.F.	1.15	CT6-60H(10:1)VT3-60H(20:1)			
USABLE AT	50Hz 25HP 190/380V 70/35A		SF1.0				
VOLTS	AMPS	MAX. SPACE HEATER TEMP.					

AC Induction Motor Performance Data

Record # 66703

Typical performance - not guaranteed values

Winding: 10WGZ651-R001		Type: 1054M	Enclosure: TEFC	
Nameplate Data			460 V, 60 Hz: High Voltage Connection	
Rated Output (HP)	25	Full Load Torque	74.02 LB-FT	
Volts	230/460	Start Configuration	direct on line	
Full Load Amps	62/31	Breakdown Torque	262 LB-FT	
R.P.M.	1775	Pull-up Torque	118 LB-FT	
Hz	60 Phase	Locked-rotor Torque	142 LB-FT	
NEMA Design Code	A KVA Code	Starting Current	223 A	
Service Factor (S.F.)	1.15	No-load Current	13.6 A	
NEMA Nom. Eff.	93.6 Power Factor	Line-line Res. @ 25°C	0.2345 Ω	
Rating - Duty	40C AMB-CONT	Temp. Rise @ Rated Load	51°C	
S.F. Amps		Temp. Rise @ S.F. Load	61°C	
		Locked-rotor Power Factor	30.6	

Load Characteristics 460 V, 60 Hz, 25 HP

% of Rated Load	25	50	75	100	125	150	S.F.
Power Factor	43	65	76	81	84	85	83
Efficiency	88.3	92.8	93.9	94	93.7	93.1	93.8
Speed	1794.1	1789.3	1783.5	1777.8	1770.8	1763.8	1774
Line amperes	15.3	19.3	24.6	30.6	37.2	44.5	34.6

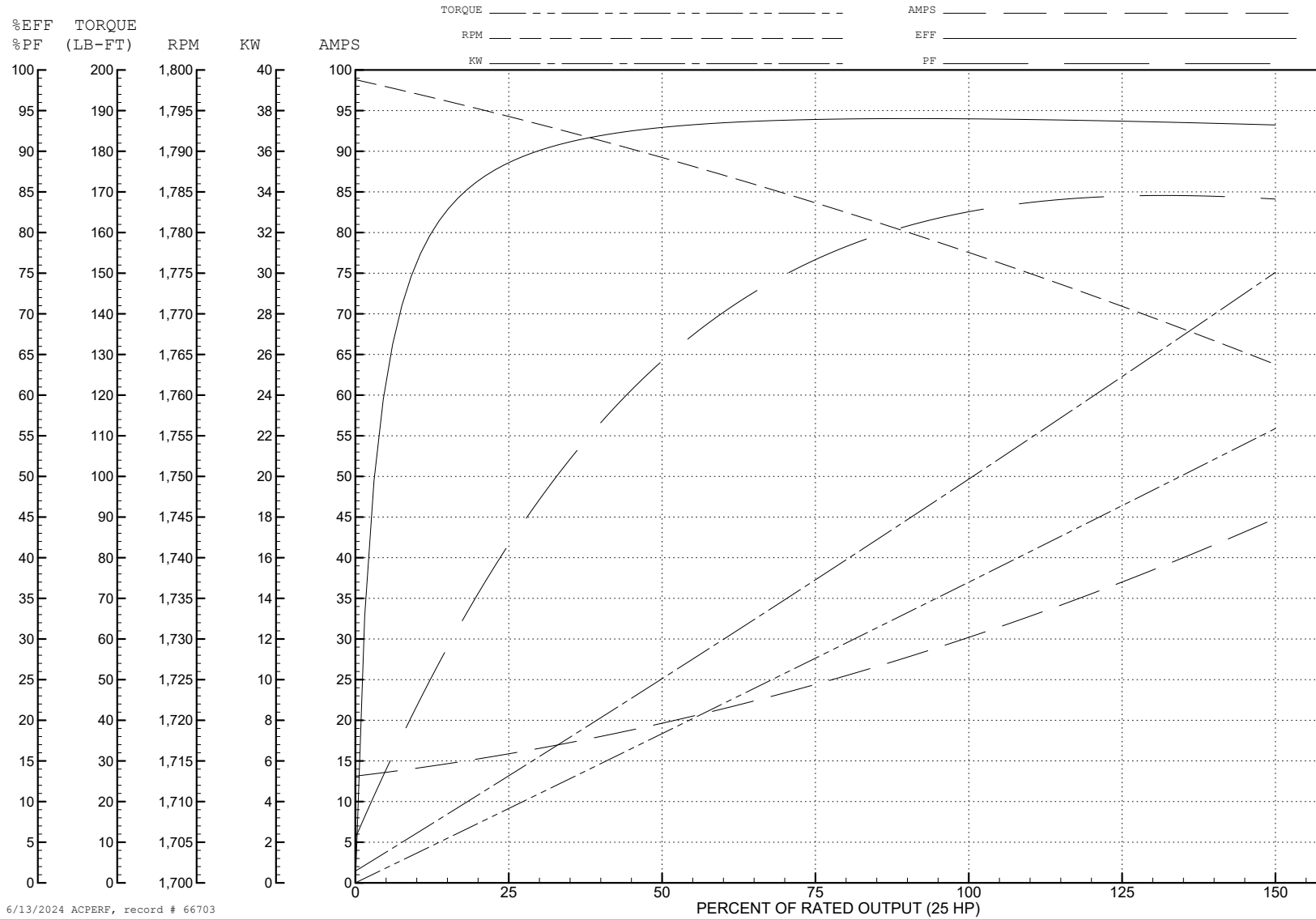
ABB Motors and Mechanical Inc.

WINDING # 10WGZ651

Typical performance - not guaranteed values.

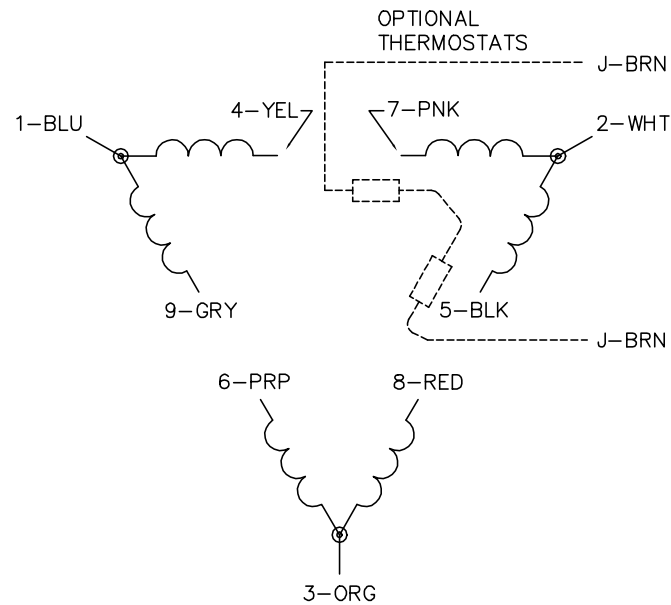
25 HP 3 PH 60 HZ 1775 RPM 460 V 1054M

TORQUES (LB-FT): PO=262 PU=118 LR=142 LRA=223

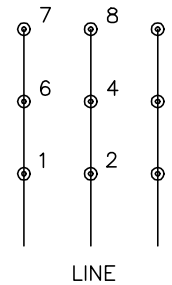


6/13/2024 ACPERF, record # 66703

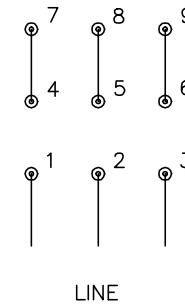
CD0180



LOW VOLTAGE
(2D)



HIGH VOLTAGE
(1D)



NOTES:

1. INTERCHANGE ANY TWO LINE LEADS TO REVERSE ROTATION.
2. OPTIONAL THERMOSTATS ARE PROVIDED WHEN SPECIFIED.
3. ACTUAL NUMBER OF INTERNAL PARALLEL CIRCUITS MAY BE A MULTIPLE OF THOSE SHOWN ABOVE.
4. LEAD COLORS ARE OPTIONAL. LEADS MUST ALWAYS BE NUMBERED AS SHOWN.

CD0180

REV. DESC: ADD CLASS CONN00000007		
REV. LTR: D	VERSION: 01	TDR: 000001099922
FILE: \AAA\00005\148	REVISED: 10: 25: 29 02/19/2019	BY: ENBRIRO
MTL: -	© □	

BALDOR - RELIANCE®

3PH, DV, 9 LEADS, DELTA CONNECTION

SH 1 of 1