

**BALDOR® • RELIANCE™**

---

# Customer information packet

## CEM3769T

7.5HP, 3515RPM, 3PH, 60HZ, 213TC, 0726M, TEFC

Class - None

Division - Not Applicable

## Specifications

Enclosure	TEFC
Frame	213TC
Frame Material	Iron
Frequency	60.00 Hz
Motor Letter Type	Three Phase
Output @ Frequency	7.500 HP @ 60 HZ
Phase	3
Synchronous Speed @ Frequency	3600 RPM @ 60 HZ
Voltage @ Frequency	230.0 V @ 60 HZ
	460.0 V @ 60 HZ
XP Class and Group	None
XP Division	Not Applicable
Agency Approvals	CSA
	CSA EEV
	NEMA PREMIUM
	UR
Ambient Temperature	40 °C
Auxillary Box	No Auxillary Box
Auxillary Box Lead Termination	None
Base Indicator	Rigid
Bearing Grease Type	Polyrex EM (-20F +300F)
Blower	None
Current @ Voltage	9.000 A @ 460.0 V
	18.600 A @ 208.0 V
	18.000 A @ 230.0 V
Design Code	B
Drip Cover	No Drip Cover
Duty Rating	CONT
Efficiency @ 100% Load	89.5 %
Electrically Isolated Bearing	Not Electrically Isolated
Feedback Device	NO FEEDBACK
Front Shaft Indicator	None

## Part detail

Revision	A
Type	AC
Mech. spec.	07H058
Base	
Status	PRD/A
Elec. spec.	07WGT515
Layout	07LYH058
Eff. date	06-14-2021
CD Diagram	CD0005
Poles	02
Leads	9#14
Proprietary	False
Created date	01-05-2021

Heater Indicator	No Heater
High Voltage Full Load Amps	9.0 a
Insulation Class	F
Inverter Code	Inverter Ready
KVA Code	H
Lifting Lugs	Standard Lifting Lugs
Locked Bearing Indicator	Locked Bearing
Motor Lead Quantity/Wire Size	9 @ 14 AWG
Motor Lead Termination	Flying Leads
Motor Standards	NEMA
Motor Type	0726M
Mounting Arrangement	F1
Number of Poles	2
Overall Length	19.20 IN
Power Factor	87
Product Family	General Purpose
Pulley End Bearing Type	Ball
Pulley Face Code	C-Face
Pulley Shaft Indicator	Standard
Rodent Screen	None
Service Factor	1.15
Shaft Diameter	1.375 IN
Shaft Ground Indicator	No Shaft Grounding
Shaft Rotation	Reversible
Shaft Slinger Indicator	No Slinger
Speed	3515 rpm
Speed Code	Single Speed
Starting Method	Direct on line
Thermal Device - Bearing	None
Thermal Device - Winding	None
Vibration Sensor Indicator	No Vibration Sensor
Winding Thermal 1	None
Winding Thermal 2	None

**Nameplate**

**NP3441LUA**

<b>CAT.NO.</b>	CEM3769T						
<b>SPEC</b>	07H058T515G1						
<b>HP</b>	7.5						
<b>VOLTS</b>	230/460						
<b>AMPS</b>	18/9						
<b>RPM</b>	3515						
<b>FRAME</b>	213TC	<b>HZ</b>	60	<b>PH</b>	3		
<b>SF</b>	1.15	<b>CODE</b>	H	<b>DES</b>	B	<b>CLASS</b>	F
<b>NEMA NOM. EFF</b>	89.5	<b>PF</b>	87				
<b>RATING</b>	40C AMB-CONT						
<b>CC</b>	010A	<b>USABLE AT 208V</b>			18.6		
<b>ENCL</b>	TEFC	<b>SER</b>					
<b>DE</b>	6307	<b>ODE</b>	6206				
<b>VPWM INVERTER READY</b>							
<b>CT6-60H(10:1)VT3-60H(20:1</b>	50HZ 7.5HP 190/380V 22.6/11.3A					SF1.0	

**AC Induction Motor Performance Data**

Record # 86052

Preliminary Data Sheet

Winding: 07WGT515-R001		Type: 0726M	Enclosure: TEFC
<b>Nameplate Data</b>		<b>460 V, 60 Hz: High Voltage Connection</b>	
Rated Output (HP)	7.5	Full Load Torque	11.2 LB-FT
Volts	230/460	Start Configuration	direct on line
Full Load Amps	18/9	Breakdown Torque	40.3 LB-FT
R.P.M.	3515	Pull-up Torque	16.3 LB-FT
Hz	60 Phase	Locked-rotor Torque	19.3 LB-FT
NEMA Design Code	B KVA Code	Starting Current	64.8 A
Service Factor (S.F.)	1.15	No-load Current	3.58 A
NEMA Nom. Eff.	89.5 Power Factor	Line-line Res. @ 25°C	1.33 Ω
Rating - Duty	40C AMB-CONT	Temp. Rise @ Rated Load	47°C
S.F. Amps	20.4/10.2	Temp. Rise @ S.F. Load	62°C
		Locked-rotor Power Factor	37.8
		Rotor inertia	0.237 lb-ft <sup>2</sup>

**Load Characteristics 460 V, 60 Hz, 7.5 HP**

% of Rated Load	25	50	75	100	125	150	S.F.
Power Factor	49	71	81	86	88	88	87
Efficiency	85.8	90.6	91.4	91.1	90.2	89	90.6
Speed	3578	3559	3536	3515	3490	3564	3500
Line amperes	4.15	5.43	7.1	9.01	11.1	13.4	10.2

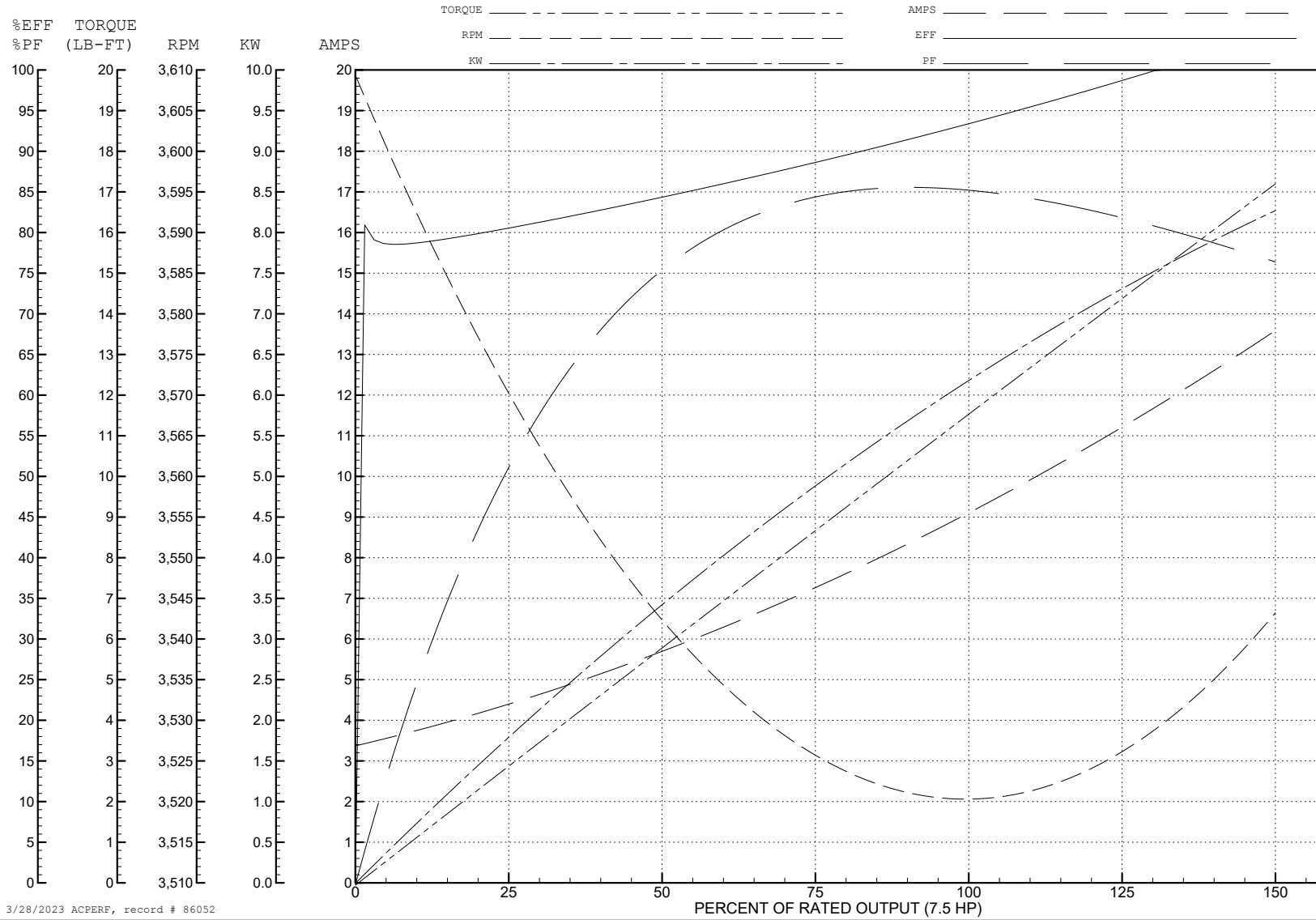
ABB Motors and Mechanical Inc.

WINDING # 07WGT515

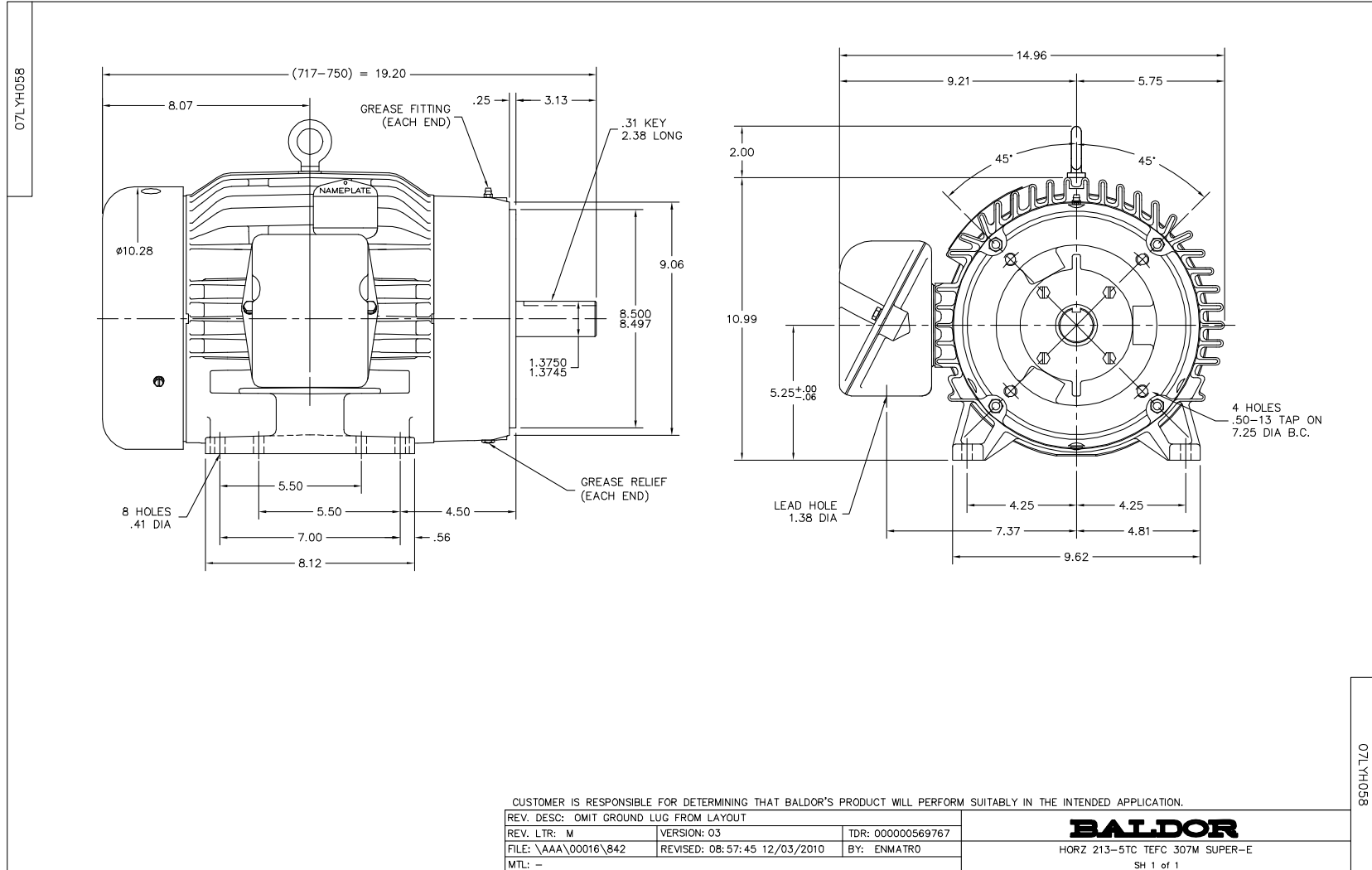
Typical performance - not guaranteed values.

7.5 HP 3 PH 60 HZ 3515 RPM 460 V 0726M

TORQUES (LB-FT): PO=40.3 PU=16.3 LR=19.3 LRA=64.8



3/28/2023 ACPERF, record # 86052



CD0005

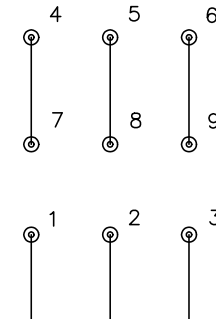


LOW VOLTAGE  
(2Y)



LINE

HIGH VOLTAGE  
(1Y)



LINE

NOTES:

1. INTERCHANGE ANY TWO LINE LEADS TO REVERSE ROTATION.
2. OPTIONAL THERMOSTATS ARE PROVIDED WHEN SPECIFIED.
3. ACTUAL NUMBER OF INTERNAL PARALLEL CIRCUITS MAY BE A MULTIPLE OF THOSE SHOWN ABOVE.
4. LEAD COLORS ARE OPTIONAL. LEADS MUST ALWAYS BE NUMBERED AS SHOWN.

CD0005

REV. DESC: REVISE TO SHOW OPTIONAL COLORS			
REV. LTR: E	BY: JLP	REVISED: 01/19/99 10:15	TDR: 0171435
S00000		FILE: AAA00005140	MDL: -
		MTL: -	

BALDOR ELECTRIC Co.

3PH, DV, 9 LEADS