



Customer information packet

CEM3714T-5

10HP, 1770RPM, 3PH, 60HZ, 215TC, 3752M, TEFC, F

Class - None

Division - Not Applicable

Specifications

Enclosure	TEFC
Frame	215TC
Frame Material	Steel
Frequency	60.00 Hz
Haz Area Class and Group	None
Haz Area Division	Not Applicable
Motor Letter Type	Three Phase
Output @ Frequency	10.000 HP @ 60 HZ
Phase	3
Synchronous Speed @ Frequency	1800 RPM @ 60 HZ
Voltage @ Frequency	575.0 V @ 60 HZ
Agency Approvals	CURUSEEV NEMA PREMIUM NEMA_PREMIUM UR CSA EEV
Ambient Temperature	40 °C
Auxillary Box	No Auxillary Box
Auxillary Box Lead Termination	None
Base Indicator	Rigid
Bearing Grease Type	Polyrex EM (-20F +300F)
Blower	None
Current @ Voltage	9.600 A @ 575.0 V
Design Code	A
Drip Cover	No Drip Cover
Duty Rating	CONT
Efficiency @ 100% Load	91.7 %
Electrically Isolated Bearing	Not Electrically Isolated
Feedback Device	NO FEEDBACK
Front Face Code	Standard
Front Shaft Indicator	None
Heater Indicator	No Heater

Part detail

Revision	M
Type	AC
Mech. spec.	37G814
Base	
Status	PRD/A
Elec. spec.	37WGS829
Layout	37LYG814
Eff. date	05-02-2024
CD Diagram	CD0006
Poles	04
Leads	3#14
Proprietary	False
Created date	07-30-2010

High Voltage Full Load Amps	9.6 a
Insulation Class	F
Inverter Code	Inverter Ready
KVA Code	K
Lifting Lugs	Standard Lifting Lugs
Locked Bearing Indicator	Locked Bearing
Motor Lead Exit	Ko Box
Motor Lead Quantity/Wire Size	3 @ 14 AWG
Motor Lead Termination	Flying Leads
Motor Standards	NEMA
Motor Type	3752M
Mounting Arrangement	F1
Number of Poles	4
Overall Length	21.26 IN
Power Factor	85
Product Family	General Purpose
Pulley End Bearing Type	Ball
Pulley Face Code	C-Face
Pulley Shaft Indicator	Standard
Rodent Screen	None
Service Factor	1.15
Shaft Diameter	1.375 IN
Shaft Extension Location	Pulley End
Shaft Ground Indicator	No Shaft Grounding
Shaft Rotation	Reversible
Shaft Slinger Indicator	No Slinger
Speed	1770 rpm
Speed Code	Single Speed
Starting Method	Direct on line
Thermal Device - Bearing	None
Thermal Device - Winding	None
Vibration Sensor Indicator	No Vibration Sensor
Winding Thermal 1	None
Winding Thermal 2	None

Nameplate

NP3441L									
CAT.NO.	CEM3714T-5								
SPEC.	37G814S829G1								
HP	10								
VOLTS	575								
AMP	9.6								
RPM	1770								
FRAME	215TC		HZ	60		PH	3		
SER.F.	1.15	CODE	K	DES	A	CL	F		
NEMA-NOM-EFF	91.7	PF	85						
RATING	40C AMB-CONT								
CC	010A								
DE	6307	ODE	6206						
ENCL	TEFC	SN							
VPWM INVERTER READY									
CT6-60H(10:1)VT3-60H(20:1)									

AC Induction Motor Performance Data

Record # 31008

Typical performance - not guaranteed values

Winding: 37WGS829-R001		Type: 3752M		Enclosure: TEFC	
Nameplate Data			575 V, 60 Hz: Single Voltage Motor		
Rated Output (HP)	10	Full Load Torque	29.5 LB-FT		
Volts	575	Start Configuration	direct on line		
Full Load Amps	9.6	Breakdown Torque	136 LB-FT		
R.P.M.	1770	Pull-up Torque	50 LB-FT		
Hz	60 Phase	3	Locked-rotor Torque	69.8 LB-FT	
NEMA Design Code	A KVA Code	K	Starting Current	83.9 A	
Service Factor (S.F.)	1.15	No-load Current	4.52 A		
NEMA Nom. Eff.	91.7 Power Factor	85	Line-line Res. @ 25°C	1.42 Ω	
Rating - Duty	40C AMB-CONT		Temp. Rise @ Rated Load	63°C	
S.F. Amps			Temp. Rise @ S.F. Load	79°C	
			Locked-rotor Power Factor	35	
			Rotor inertia	1.28 LB-FT ²	

Load Characteristics 575 V, 60 Hz, 10 HP

% of Rated Load	25	50	75	100	125	150	S.F.
Power Factor	41	65	78	85	83	87	84
Efficiency	88.4	92	92.7	91.9	90.7	88.9	91.2
Speed	1794	1787	1780	1772	1763	1753	1767
Line amperes	5.03	6.21	7.76	9.59	12.4	14.5	11.3

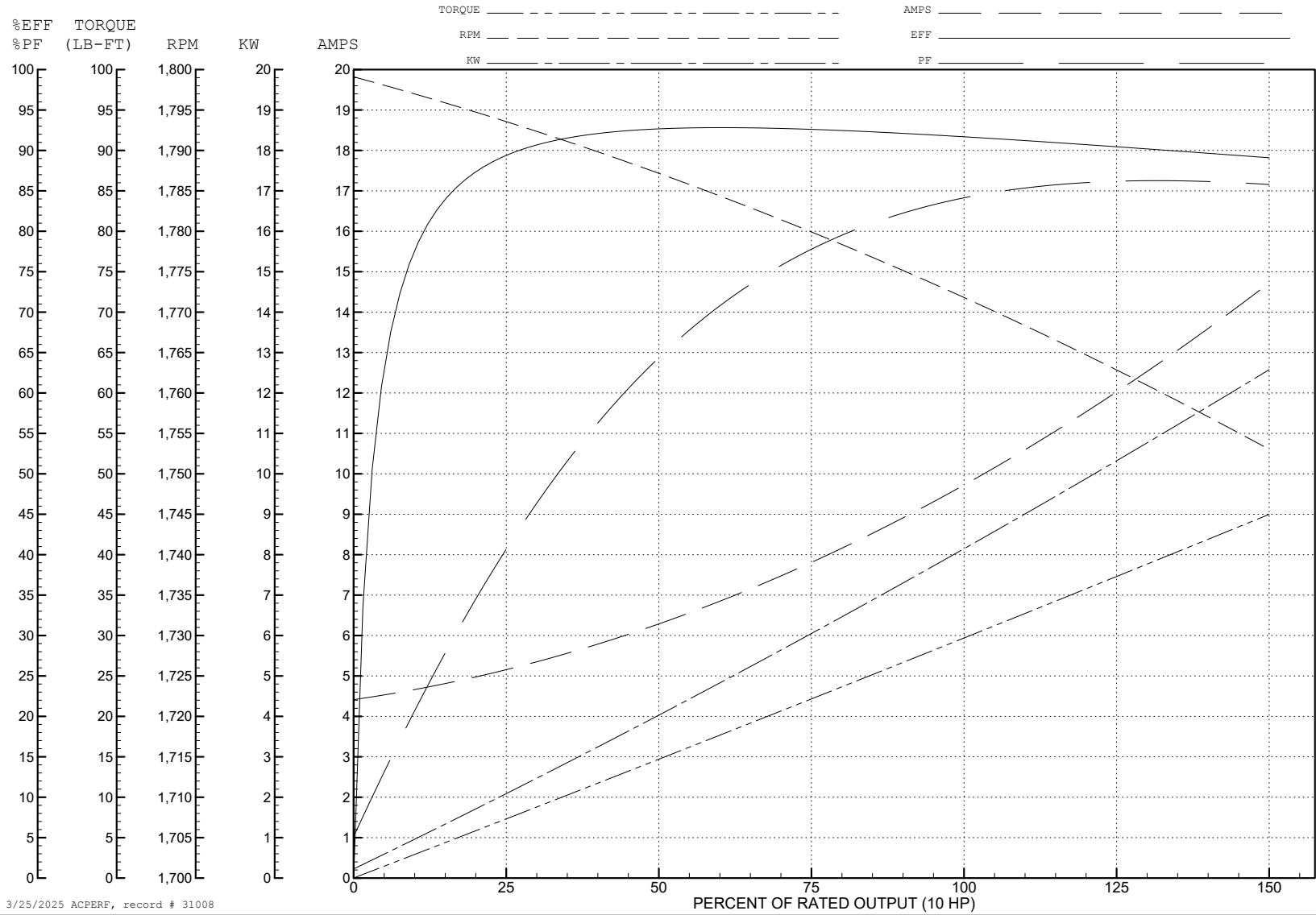
ABB Motors and Mechanical Inc.

WINDING # 37WGS829

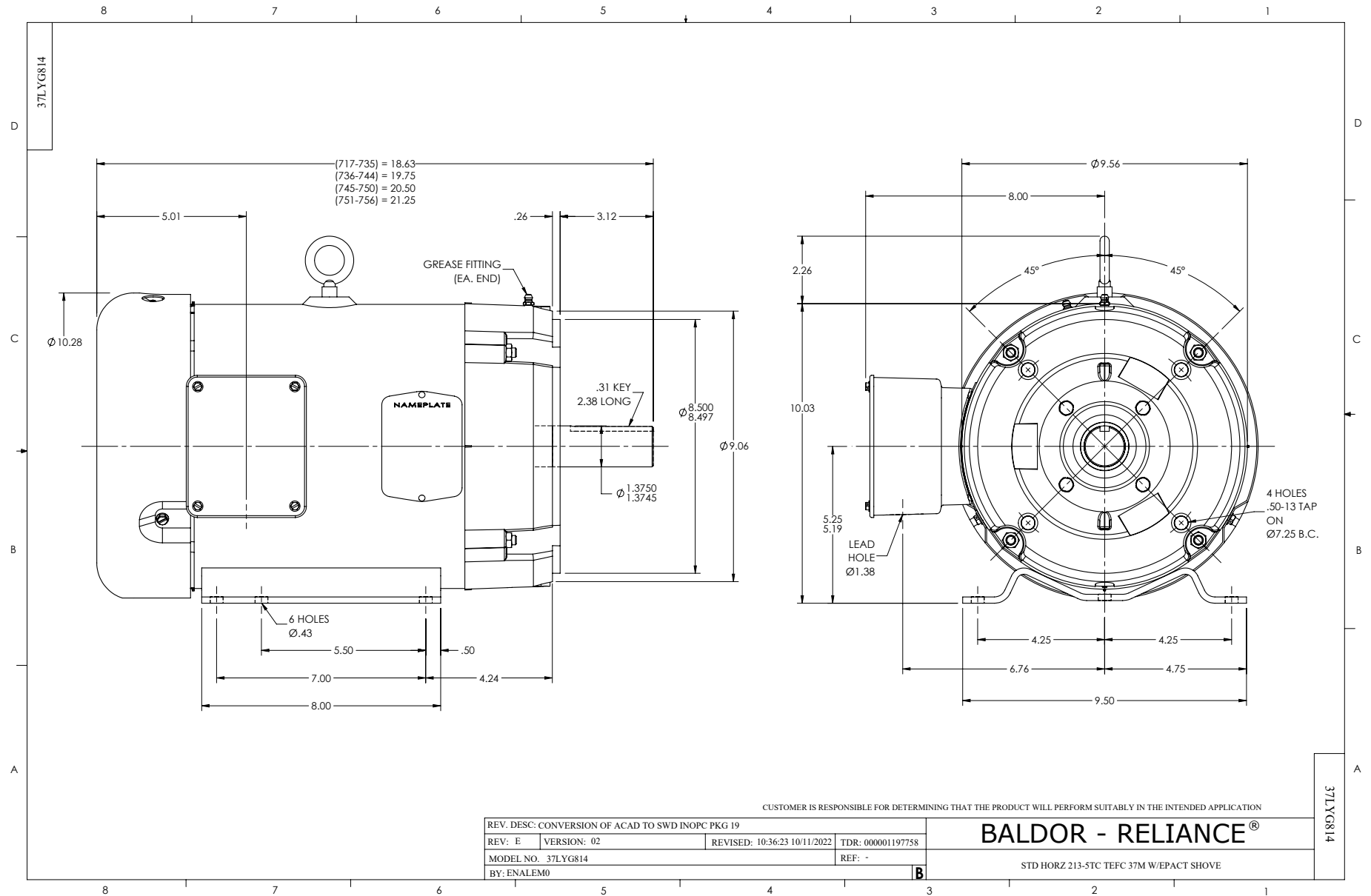
Typical performance - not guaranteed values.

10 HP 3 PH 60 HZ 1770 RPM 575 V 3752M

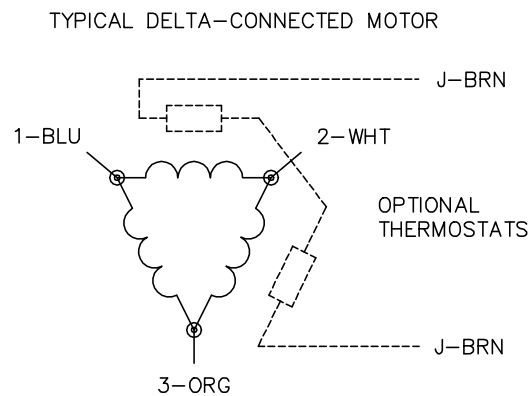
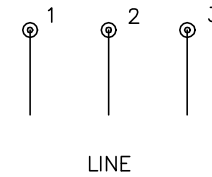
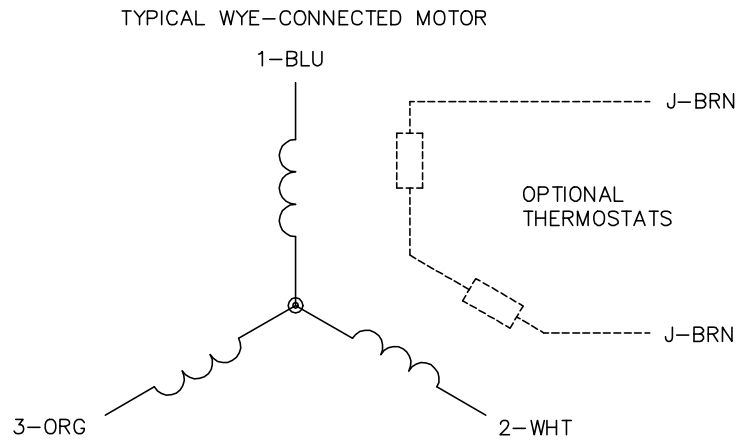
TORQUES (LB-FT): PO=136 PU=50 LR=69.8 LRA=83.9



3/25/2025 ACPERF, record # 31008



CD0006



NOTES:

1. THREE LEAD MOTOR MAY BE EITHER WYE CONNECTED OR DELTA CONNECTED.
2. INTERCHANGE ANY TWO LINE LEADS TO REVERSE ROTATION.
3. OPTIONAL THERMOSTATS ARE PROVIDED WHEN SPECIFIED.
4. ACTUAL NUMBER OF INTERNAL PARALLEL CIRCUITS MAY VARY.
5. LEAD COLORS ARE OPTIONAL. LEADS MUST BE NUMBERED AS SHOWN.

CD0006

REV. DESC: ADD CLASS CONN00000007		
REV. LTR: E	VERSION: 01	TDR: 000001099922
FILE: \AAA\00005\141	REVISED: 10:24:49 02/19/2019	BY: ENBRIRO
MTL: -	© □	

BALDOR - RELIANCE®

3PH, SV, 3 LEADS, WYE OR DELTA CONNECTED

SH 1 of 1