

# **ABB BALDOR RELIANCE III**

---

## **Customer information packet** CEM3586T

2HP, 3490RPM, 3PH, 60HZ, 143TC, 0526M, TEFC, F1

Class - None

Division - Not Applicable

**Specifications**

<b>Enclosure</b>	TEFC
<b>Frame</b>	143TC
<b>Frame Material</b>	Iron
<b>Frequency</b>	60.00 Hz
<b>Haz Area Class and Group</b>	None
<b>Haz Area Division</b>	Not Applicable
<b>Motor Letter Type</b>	Three Phase
<b>Output @ Frequency</b>	2.000 HP @ 60 HZ
<b>Phase</b>	3
<b>Synchronous Speed @ Frequency</b>	3600 RPM @ 60 HZ
<b>Voltage @ Frequency</b>	208.0 V @ 60 HZ 230.0 V @ 60 HZ 460.0 V @ 60 HZ
<b>Agency Approvals</b>	NEMA PREMIUM (OLD LOGO) CURUSEEV NEMA PREMIUM
<b>Ambient Temperature</b>	40 °C
<b>Auxiliary Box</b>	NO AUXILLARY BOX
<b>Auxiliary Box Lead Termination</b>	None
<b>Base Indicator</b>	Rigid
<b>Bearing Grease Type</b>	Polyrex EM (-20F +300F)
<b>Blower</b>	None
<b>Current @ Voltage</b>	5.300 A @ 208.0 V 5.000 A @ 230.0 V 2.500 A @ 460.0 V
<b>Design Code</b>	B
<b>Drip Cover</b>	No Drip Cover
<b>Duty Rating</b>	CONT
<b>Efficiency @ 100% Load</b>	85.5 %
<b>Electrically Isolated Bearing</b>	Not Electrically Isolated
<b>Feedback Device</b>	NO FEEDBACK
<b>Front Face Code</b>	Standard

**Part Detail**

<b>Revision</b>	S
<b>Type</b>	AC
<b>Mech. spec.</b>	05C052
<b>Base</b>	
<b>Status</b>	PRD/A
<b>Elec. spec.</b>	05WGX117
<b>Layout</b>	05LYC052
<b>Eff. date</b>	04-29-2024
<b>CD Diagram</b>	CD0005
<b>Poles</b>	02
<b>Leads</b>	9#18
<b>Proprietary</b>	False
<b>Created date</b>	07-14-2010

Front Shaft Indicator	None
Heater Indicator	No Heater
High Voltage Full Load Amps	2.5 a
Insulation Class	F
Inverter Code	Inverter Ready
KVA Code	M
Lifting Lugs	Standard Lifting Lugs
Locked Bearing Indicator	Locked Bearing
Motor Lead Exit	Ko Box
Motor Lead Quantity/Wire Size	9 @ 18 AWG
Motor Lead Termination	Flying Leads
Motor Standards	NEMA
Motor Type	0526M
Mounting Arrangement	F1
Number of Poles	2
Overall Length	13.04 IN
Power Factor	88
Product Family	General Purpose
Pulley End Bearing Type	Ball
Pulley Face Code	C-Face
Pulley Shaft Indicator	Standard
Rodent Screen	None
Service Factor	1.15
Shaft Diameter	0.875 IN
Shaft Extension Location	Pulley End
Shaft Ground Indicator	No Shaft Grounding
Shaft Rotation	Reversible
Shaft Slinger Indicator	No Slinger
Speed	3490 rpm
Speed Code	Single Speed
Starting Method	Direct on line
Thermal Device - Bearing	None
Thermal Device - Winding	None
Vibration Sensor Indicator	No Vibration Sensor

**Winding Thermal 1**

**None**

**Winding Thermal 2**

**None**

---

**Nameplate**

<b>NP1259L</b>									
<b>CAT.NO.</b>	CEM3586T								
<b>SPEC.</b>	05C052X117E7								
<b>HP</b>	2								
<b>VOLTS</b>	208-230/460								
<b>AMP</b>	5.3-5/2.5								
<b>RPM</b>	3490								
<b>FRAME</b>	143TC	<b>HZ</b>	60			<b>PH</b>	3		
<b>SER.F.</b>	1.15	<b>CODE</b>	M	<b>DES</b>	B	<b>CL</b>	F		
<b>NEMA-NOM-EFF</b>	85.5	<b>PF</b>	88						
<b>RATING</b>	40C AMB-CONT								
<b>CC</b>	010A								
<b>DE</b>	6205	<b>ODE</b>	6203						
<b>ENCL</b>	TEFC	<b>SN</b>							

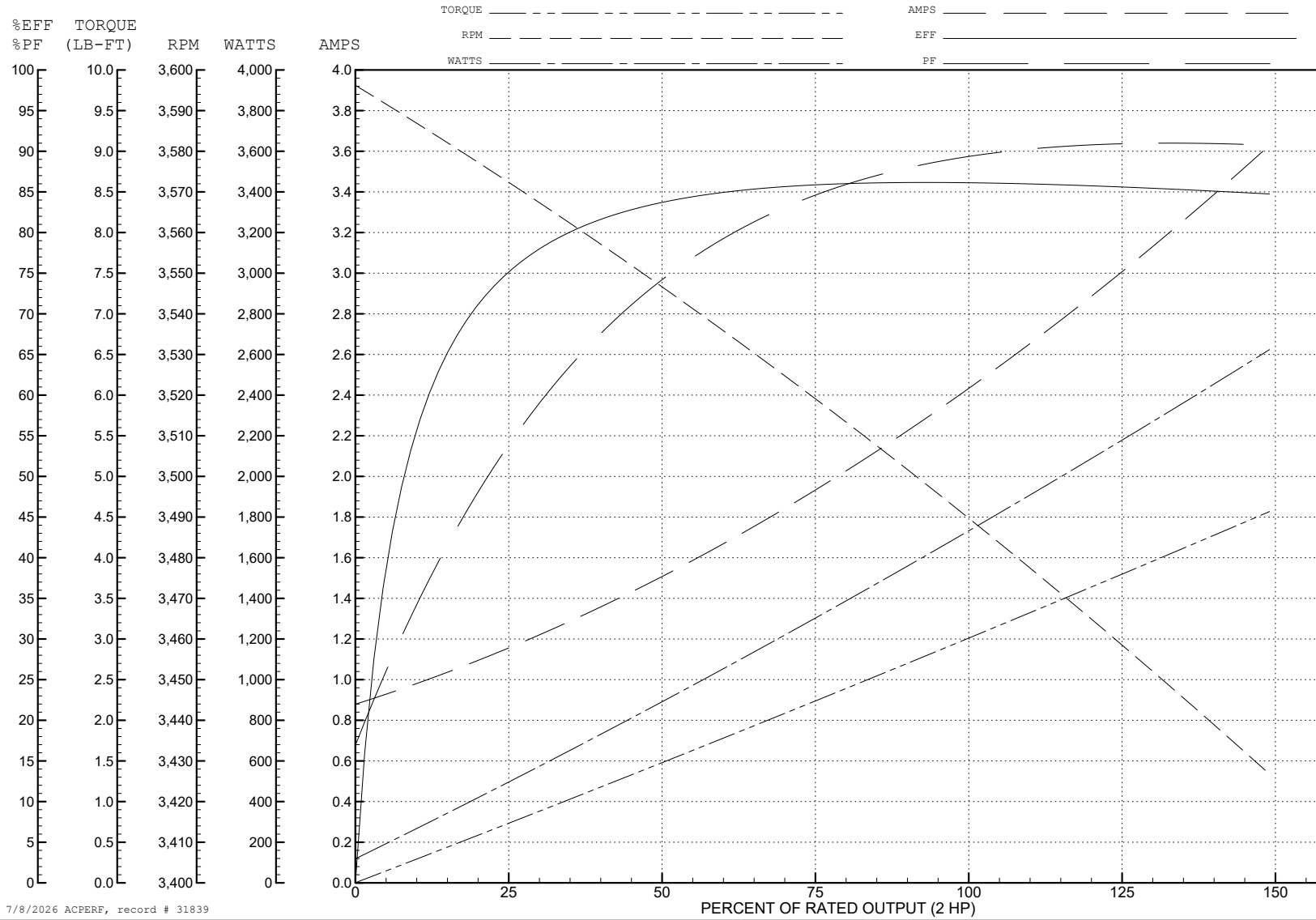
ABB Motors and Mechanical Inc.

WINDING # 05WGX117

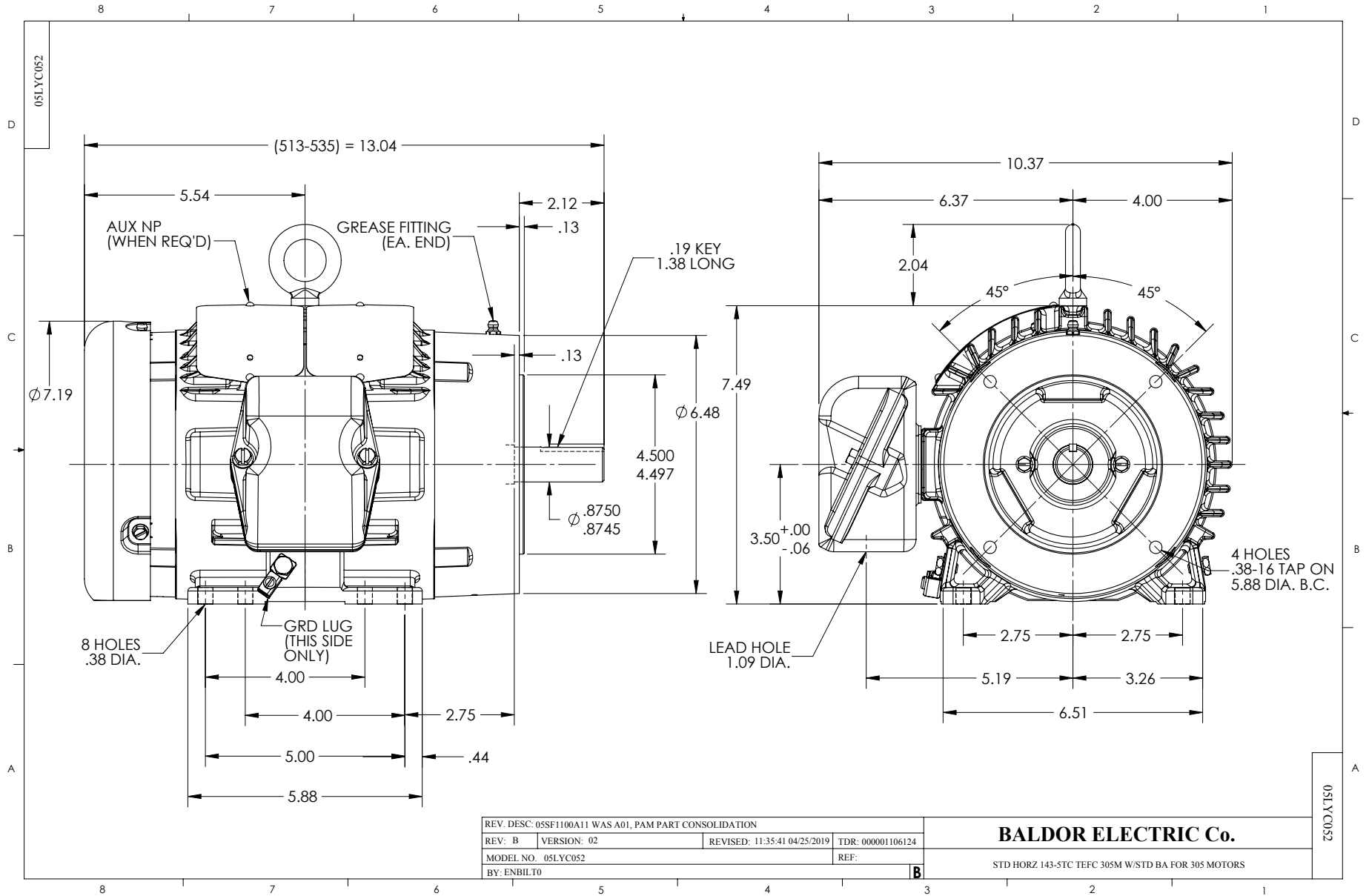
Typical performance - not guaranteed values.

2 HP 3 PH 60 HZ 3490 RPM 460 V 0526M

TORQUES (LB-FT): PO=14.2 PU=6.33 LR=11.2 LRA=25.9



7/8/2026 ACPERF, record # 31839



CD0005



LOW VOLTAGE  
(2Y)



LINE

HIGH VOLTAGE  
(1Y)



LINE

**NOTES:**

1. INTERCHANGE ANY TWO LINE LEADS TO REVERSE ROTATION.
2. OPTIONAL THERMOSTATS ARE PROVIDED WHEN SPECIFIED.
3. ACTUAL NUMBER OF INTERNAL PARALLEL CIRCUITS MAY BE A MULTIPLE OF THOSE SHOWN ABOVE.
4. LEAD COLORS ARE OPTIONAL. LEADS MUST ALWAYS BE NUMBERED AS SHOWN.

CD0005

REV. DESC: REVISE TO SHOW OPTIONAL COLORS

REV. LTR: E BY: JLP REVISED: 01/19/99 10:15 TDR: 0171435

500000

FILE: AAA00005140

MDL: -

MTL: -

**BALDOR ELECTRIC Co.**

3PH, DV, 9 LEADS