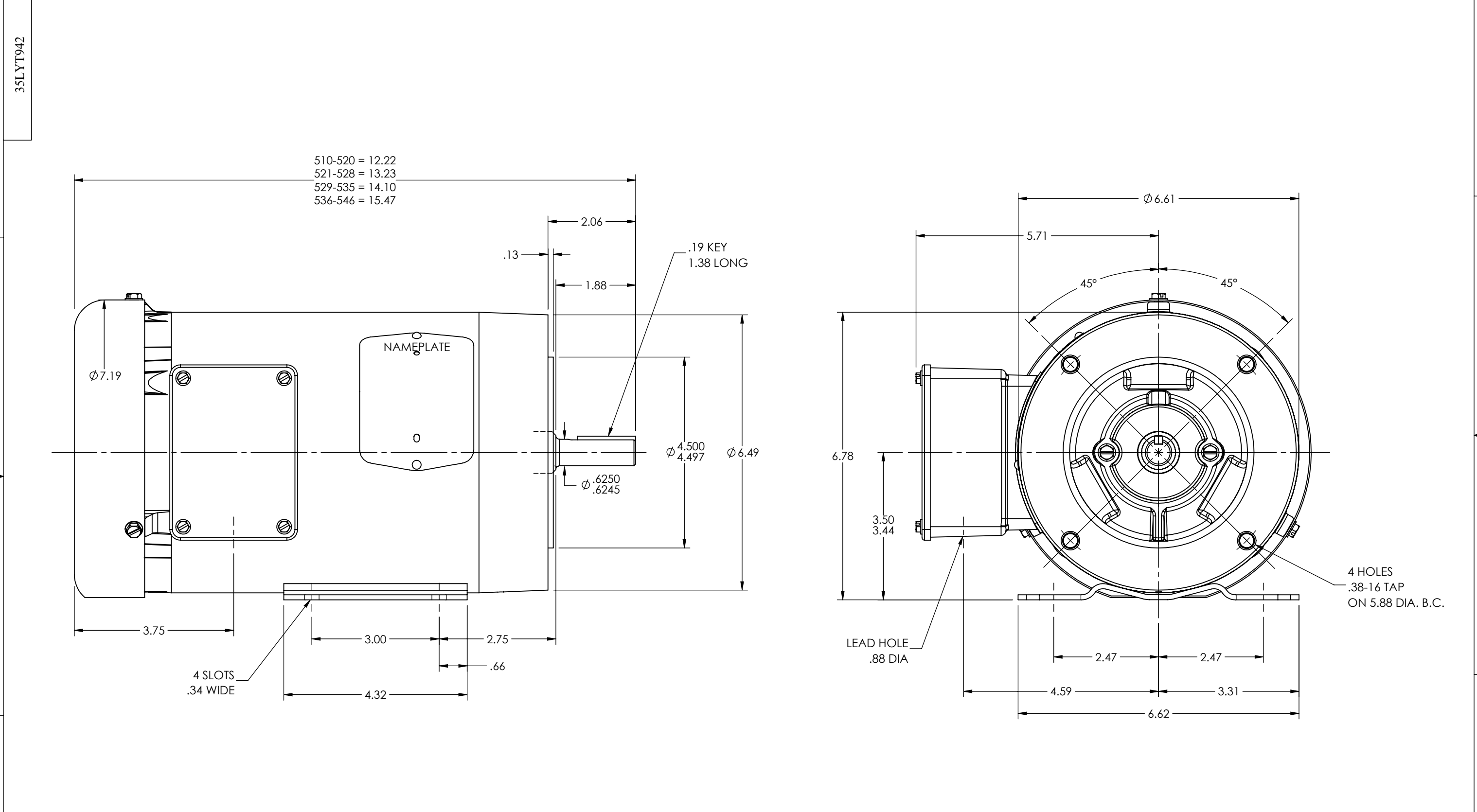


8 7 6 5 4 3 2 1



A A

CUSTOMER IS RESPONSIBLE FOR DETERMINING THAT BALDOR'S PRODUCT WILL PERFORM SUITABLY IN THE INTENDED APPLICATION.

REV. DESC: UPDATE 3D MODEL BOM PER REV H, NO CHG TO 2D PRINT			
REV: F	VERSION: 06	REVISED: 10:28:08 03/15/2022	TDR: 000001187335
MODEL NO: 35LYT942			REF: -
BY: USBUFRA	Material: -	B	

# BALDOR - RELIANCE®

STD HORZ 56C TEFC 35M, 2 POLE "W" BASE (35BA4010)  
 SH 1 of 1

35LYT942

8 7 6 5 4 3 2 1