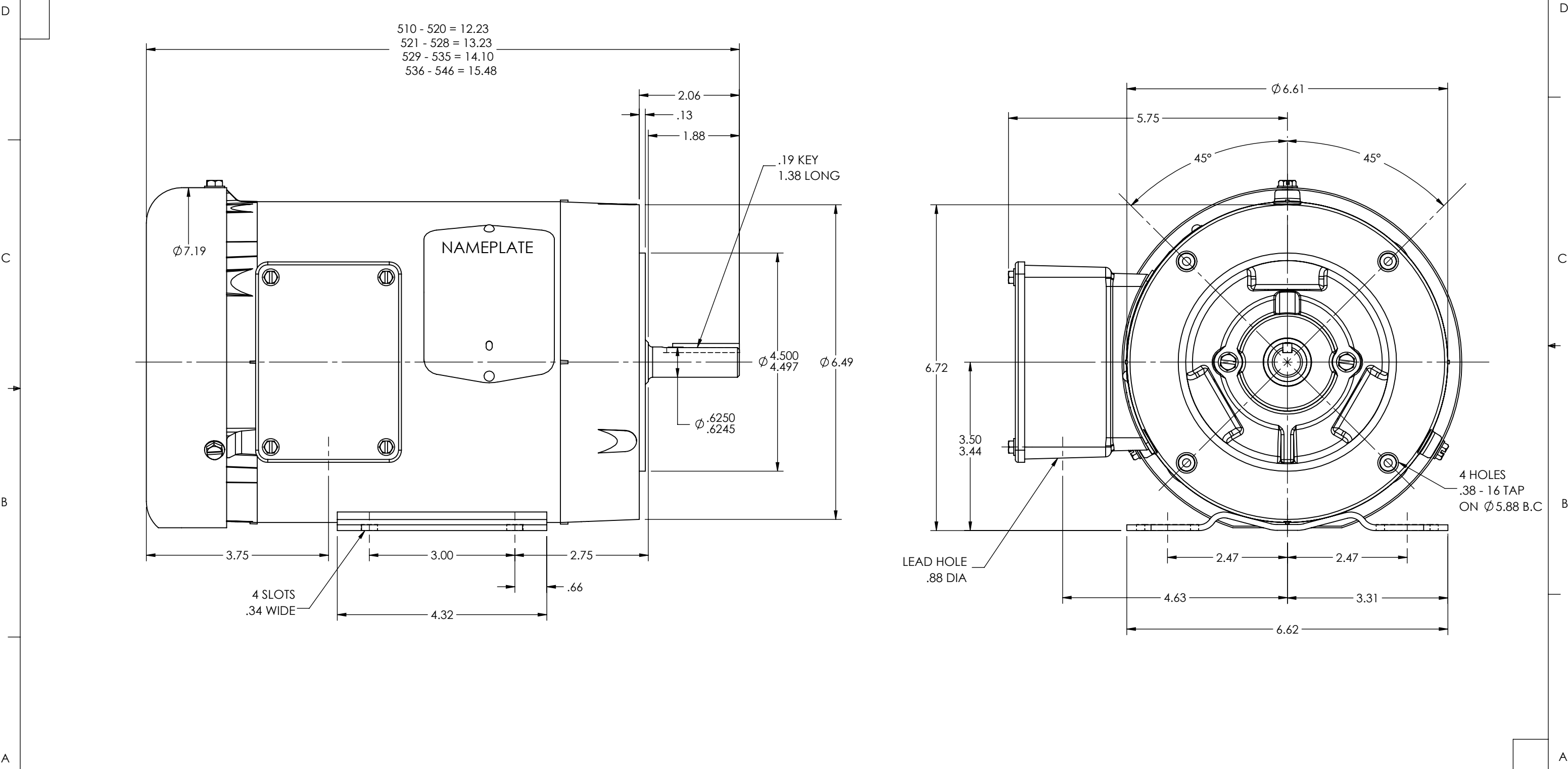


8 7 6 5 4 3 2 1

35LYA012



CUSTOMER IS RESPONSIBLE FOR DETERMINING THAT BALDOR'S PRODUCT WILL PERFORM SUITABLY IN THE INTENDED APPLICATION.

REV. DESC: CHANGED 3.47 +0/.06 SHAFT HEIGHT DIM TO 3.50/3.44			
REV: U	VERSION: 09	REVISED: 07:57:13 04/03/2019	TDR: 000001104642
MODEL NO. 35LYA012			REF: -
BY: USBUFRA	Material: -	B	

**BALDOR - RELIANCE®**

STD HORZ 56C TEFC 35M

SH 1 of 1

8 7 6 5 4 3 2 1

35LYA012