

BALDOR • RELIANCE

Customer information packet

CEM2528T

20HP, 1180RPM, 3PH, 60HZ, 286TC, OPSB, F1

Specifications

Enclosure	OPSB
Frame	286TC
Frame Material	Steel
Frequency	60.00 Hz
Motor Letter Type	Three Phase
Output @ Frequency	20.000 HP @ 60 HZ
Phase	3
Synchronous Speed @ Frequency	1200 RPM @ 60 HZ
Voltage @ Frequency	460.0 V @ 60 HZ 230.0 V @ 60 HZ
Agency Approvals	CSA EEV NEMA PREMIUM NEMA_PREMIUM UR
Ambient Temperature	40 °C
Auxillary Box	No Auxillary Box
Auxillary Box Lead Termination	None
Base Indicator	Rigid
Bearing Grease Type	Polyrex EM (-20F +300F)
Blower	None
Current @ Voltage	56.000 A @ 208.0 V 54.000 A @ 230.0 V 27.000 A @ 460.0 V
Design Code	A
Drip Cover	No Drip Cover
Duty Rating	CONT
Efficiency @ 100% Load	92.4 %
Electrically Isolated Bearing	Not Electrically Isolated
Feedback Device	NO FEEDBACK
Heater Indicator	No Heater
High Voltage Full Load Amps	27.0 a
Insulation Class	F

Part detail

Revision	E
Type	AC
Mech. spec.	
Base	
Status	PRD/A
Elec. spec.	40WGX191
Layout	40LYD102
Eff. date	02-12-2024
CD Diagram	CD0180
Poles	06
Leads	9#10
Proprietary	False
Created date	02-20-2020

Inverter Code	Inverter Ready
IP Rating	NONE
KVA Code	H
Lifting Lugs	Standard Lifting Lugs
Locked Bearing Indicator	Locked Bearing
Motor Lead Termination	Flying Leads
Motor Standards	NEMA
Motor Type	4056M
Mounting Arrangement	F1
Number of Poles	6
Overall Length	25.06 IN
Power Factor	74
Product Family	General Purpose
Pulley Face Code	C-Face
Rodent Screen	None
Service Factor	1.15
Shaft Diameter	1.875 IN
Shaft Ground Indicator	No Shaft Grounding
Shaft Rotation	Reversible
Speed	1180 rpm
Speed Code	Single Speed
Starting Method	Direct on line
Thermal Device - Bearing	None
Thermal Device - Winding	None
Vibration Sensor Indicator	No Vibration Sensor
Winding Thermal 1	None
Winding Thermal 2	None

Nameplate

NP2138L

CAT.NO.	CEM2528T	P/N		ENCLOSURE	OPSB		
SPEC.	40-0000783	CC	010A	FRAME	286TC	S/N	
HP	20	CLASS	F	HZ	60		
RPM	1180	PH	3	DES	A		
VOLT	230/460	KVA-CODE	H	ODE BRG	6309	DE BRG	6311
AMP	54/27						
RATING	40C AMB-CONT	GREASE	POLYREX EM				
NEMA-NOM-EFF	92.4	PF	74	SER.F.	1.15		
HTR-VOLTS		HTR-AMPS					

AC Induction Motor Performance Data

Record # 66052

Typical performance - not guaranteed values

Winding: 40WGX191-R001		Type: 4056M		Enclosure: OPSB	
Nameplate Data			460 V, 60 Hz: High Voltage Connection		
Rated Output (HP)	20	Full Load Torque	88.68 LB-FT		
Volts	230/460	Start Configuration	direct on line		
Full Load Amps	54/27	Breakdown Torque	291 LB-FT		
R.P.M.	1180	Pull-up Torque	110 LB-FT		
Hz	60 Phase	3	Locked-rotor Torque	160 LB-FT	
NEMA Design Code	A KVA Code	H	Starting Current	177 A	
Service Factor (S.F.)	1.15	No-load Current	14.1 A		
NEMA Nom. Eff.	92.4 Power Factor	74	Line-line Res. @ 25°C	0.38967 Ω	
Rating - Duty	40C AMB-CONT		Temp. Rise @ Rated Load	29°C	
S.F. Amps			Temp. Rise @ S.F. Load	35°C	
			Locked-rotor Power Factor	31.3	

Load Characteristics 460 V, 60 Hz, 20 HP

% of Rated Load	25	50	75	100	125	150	S.F.
Power Factor	34	55	68	74	78	79	76
Efficiency	88.4	92.5	93.3	93.2	92.7	91.9	92.9
Speed	1195.7	1191.7	1187.5	1183.3	1178.5	1172.9	1180
Line amperes	15.4	18.3	22.2	27	32.4	38.5	30.2

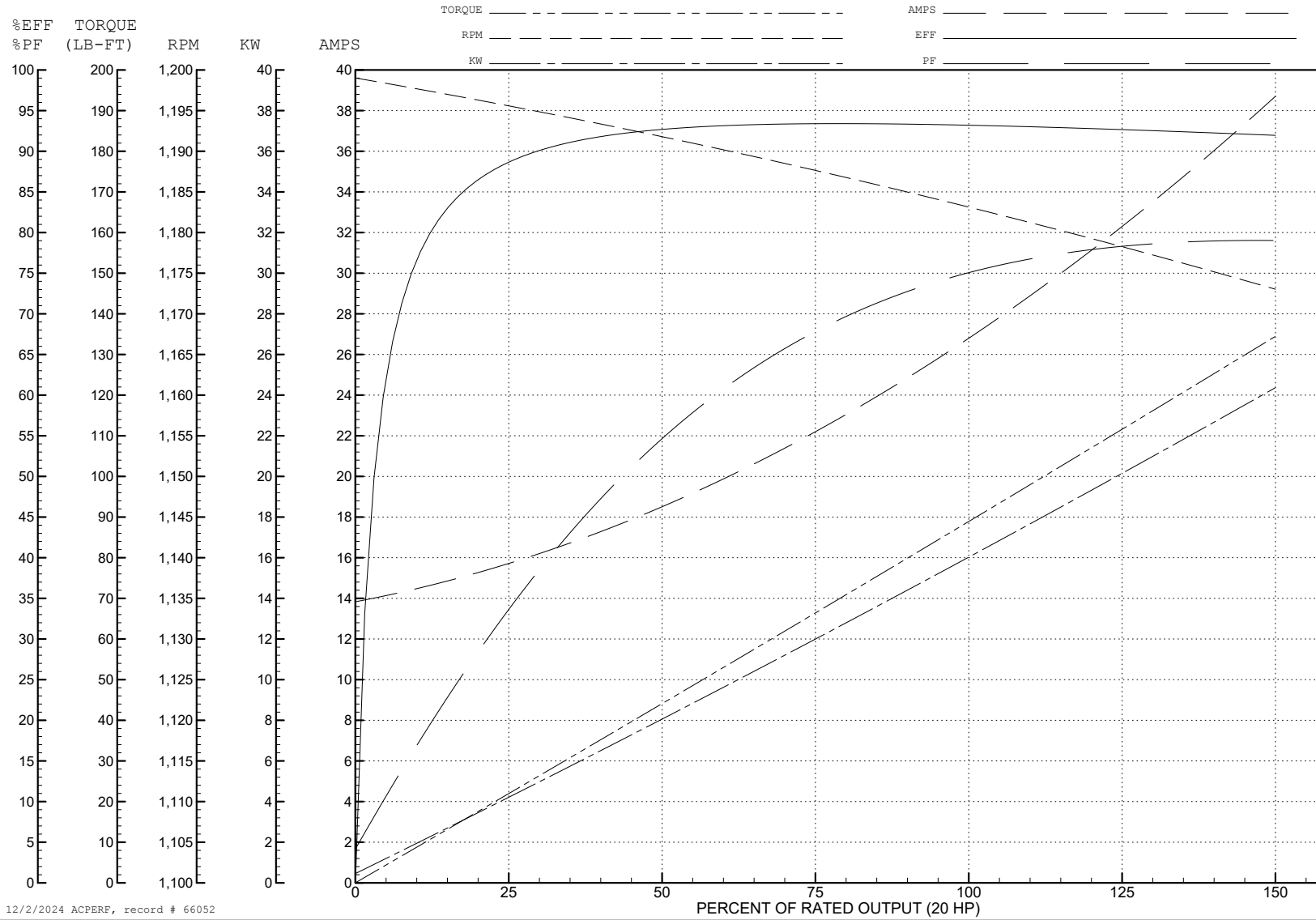
ABB Motors and Mechanical Inc.

WINDING # 40WGx191

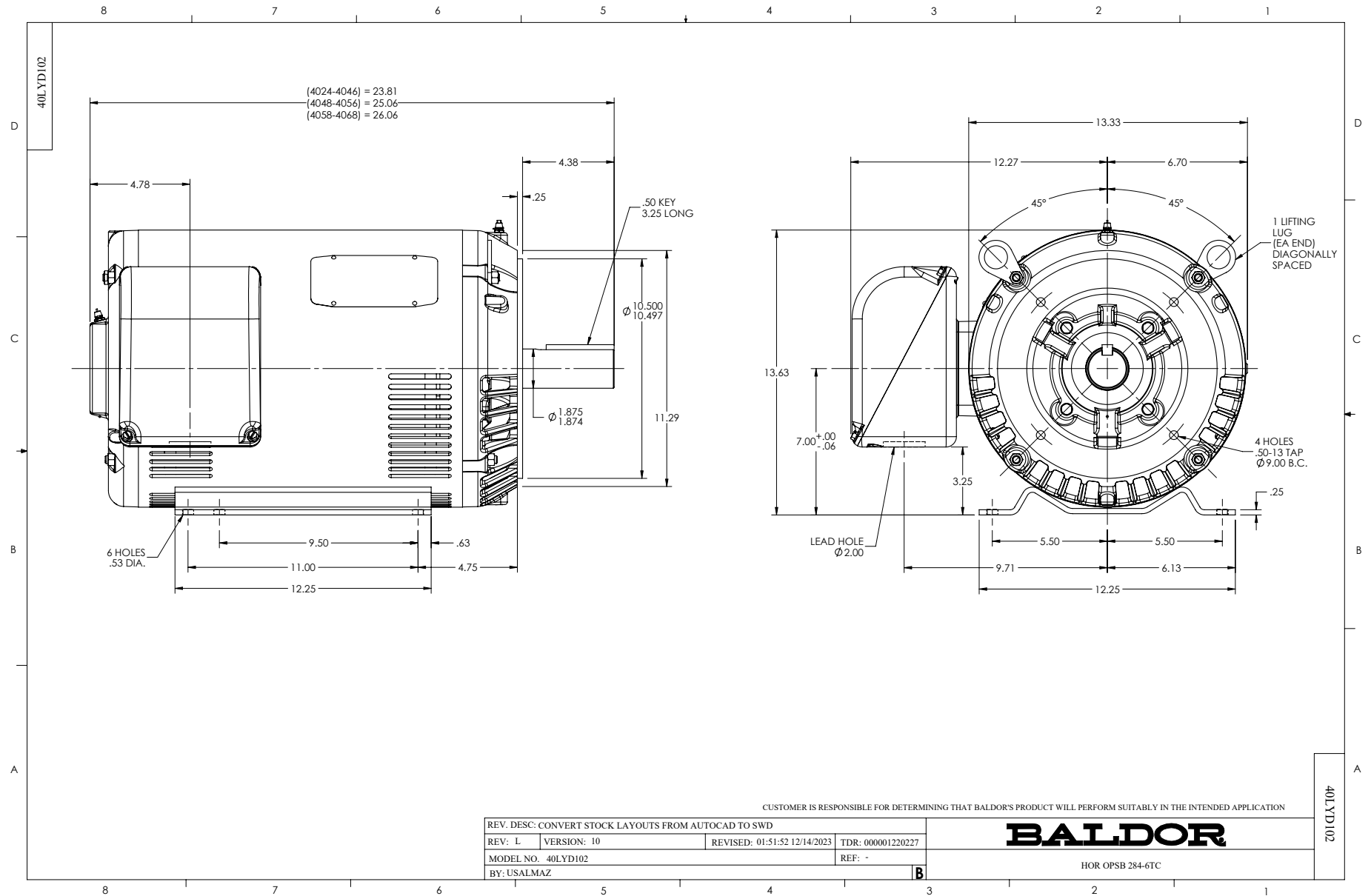
Typical performance - not guaranteed values.

20 HP 3 PH 60 HZ 1180 RPM 460 V 4056M

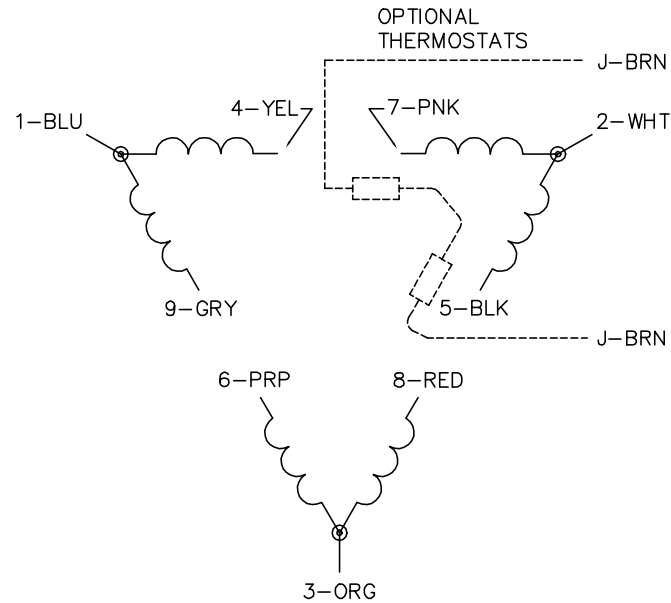
TORQUES (LB-FT): PO=291 PU=110 LR=160 LRA=177



12/2/2024 ACPERF, record # 66052



CD0180



LOW VOLTAGE
(2D)



HIGH VOLTAGE
(1D)



NOTES:

1. INTERCHANGE ANY TWO LINE LEADS TO REVERSE ROTATION.
2. OPTIONAL THERMOSTATS ARE PROVIDED WHEN SPECIFIED.
3. ACTUAL NUMBER OF INTERNAL PARALLEL CIRCUITS MAY BE A MULTIPLE OF THOSE SHOWN ABOVE.
4. LEAD COLORS ARE OPTIONAL. LEADS MUST ALWAYS BE NUMBERED AS SHOWN.

CD0180

REV. DESC: ADD CLASS CONN00000007		
REV. LTR: D	VERSION: 01	TDR: 000001099922
FILE: \AAA\00005\148	REVISED: 10: 25: 29 02/19/2019	BY: ENBRIRO
MTL: -	© □	

BALDOR - RELIANCE®

3PH, DV, 9 LEADS, DELTA CONNECTION

SH 1 of 1