



Customer information packet

CEM2516T

25HP, 3515RPM, 3PH, 60HZ, 256TC, 3938M, OPSB, F

Class - None

Division - Not Applicable

Specifications

Enclosure	OPSB
Frame	256TC
Frame Material	Steel
Frequency	60.00 Hz
Haz Area Class and Group	None
Haz Area Division	Not Applicable
Motor Letter Type	Three Phase
Output @ Frequency	25.000 HP @ 60 HZ
Phase	3
Synchronous Speed @ Frequency	3600 RPM @ 60 HZ
Voltage @ Frequency	230.0 V @ 60 HZ 460.0 V @ 60 HZ
Agency Approvals	CSA EEV CURUSEEV NEMA PREMIUM NEMA_PREMIUM UR
Ambient Temperature	40 °C
Auxillary Box	No Auxillary Box
Auxillary Box Lead Termination	None
Base Indicator	Rigid
Bearing Grease Type	Polyrex EM (-20F +300F)
Blower	None
Current @ Voltage	56.000 A @ 230.0 V 62.000 A @ 208.0 V 28.000 A @ 460.0 V
Design Code	A
Drip Cover	No Drip Cover
Duty Rating	CONT
Efficiency @ 100% Load	91.7 %
Electrically Isolated Bearing	Not Electrically Isolated
Feedback Device	NO FEEDBACK

Part detail

Revision	V
Type	AC
Mech. spec.	39D102
Base	
Status	PRD/A
Elec. spec.	39WGX424
Layout	39LYD102
Eff. date	06-27-2024
CD Diagram	CD0180
Poles	02
Leads	9#10
Proprietary	False
Created date	08-03-2010

Front Face Code	Standard
Front Shaft Indicator	None
Heater Indicator	No Heater
High Voltage Full Load Amps	28.0 a
Insulation Class	F
Inverter Code	Inverter Ready
KVA Code	G
Lifting Lugs	Standard Lifting Lugs
Locked Bearing Indicator	Locked Bearing
Motor Lead Exit	Ko Box
Motor Lead Quantity/Wire Size	9 @ 10 AWG
Motor Lead Termination	Flying Leads
Motor Standards	NEMA
Motor Type	3938M
Mounting Arrangement	F1
Number of Poles	2
Overall Length	21.69 IN
Power Factor	89
Product Family	General Purpose
Pulley End Bearing Type	Ball
Pulley Face Code	C-Face
Pulley Shaft Indicator	Standard
Rodent Screen	None
Service Factor	1.15
Shaft Diameter	1.625 IN
Shaft Extension Location	Pulley End
Shaft Ground Indicator	No Shaft Grounding
Shaft Rotation	Reversible
Shaft Slinger Indicator	No Slinger
Speed	3515 rpm
Speed Code	Single Speed
Starting Method	Direct on line
Thermal Device - Bearing	None
Thermal Device - Winding	None

Vibration Sensor Indicator	No Vibration Sensor
Winding Thermal 1	None
Winding Thermal 2	None

Nameplate

NP3554LUA										
CAT.NO.	CEM2516T			P/N				ENCL		OPSB
SPEC.	39D102X424G1	CC	010A	FRAME		256TC	SER.NO.			
HP	25	CLASS		F	HZ	60				
RPM	3515	PH	3	DES		A				
VOLTS	230/460			CODE		G	ODE BRG	6208	DE BRG	6309
AMPS	56/28									
RATING	40C AMB-CONT			NEMA-NOM-EFF		91.7	GREASE	POLYREX EM		
PF	89	SER.F.	1.15	CT30-60(2:1) VT3-60(20:1)						
USABLE AT	50HZ 25HP 190/380V 68/34A			SF 1.0						
HTR-VOLTS	HTR-AMPS	MAX. SPACE HEATER TEMP.								

AC Induction Motor Performance Data

Record # 32011

Typical performance - not guaranteed values

Winding: 39WGX424-R001		Type: 3938M		Enclosure: OPSB	
Nameplate Data			460 V, 60 Hz: High Voltage Connection		
Rated Output (HP)	25		Full Load Torque	37.2 LB-FT	
Volts	230/460		Start Configuration	direct on line	
Full Load Amps	56/28		Breakdown Torque	148 LB-FT	
R.P.M.	3515		Pull-up Torque	54.9 LB-FT	
Hz	60 Phase	3	Locked-rotor Torque	77.2 LB-FT	
NEMA Design Code	B KVA Code	G	Starting Current	197 A	
Service Factor (S.F.)	1.15		No-load Current	8.48 A	
NEMA Nom. Eff.	91.7 Power Factor	89	Line-line Res. @ 25°C	0.38245 Ω	
Rating - Duty	40C AMB-CONT		Temp. Rise @ Rated Load	46°C	
S.F. Amps			Temp. Rise @ S.F. Load	57°C	
			Locked-rotor Power Factor	28.7	
			Rotor inertia	0.971 lb-ft ²	

Load Characteristics 460 V, 60 Hz, 25 HP

% of Rated Load	25	50	75	100	125	150	S.F.
Power Factor	50	79	86	89	90	90	90
Efficiency	87.5	91.8	92.3	91.7	90.7	89.4	91.1
Speed	3578.1	3559.4	3538.9	3515.1	3490	3461	3500
Line amperes	13.1	15.8	21.8	28.4	35.6	43.3	32.7

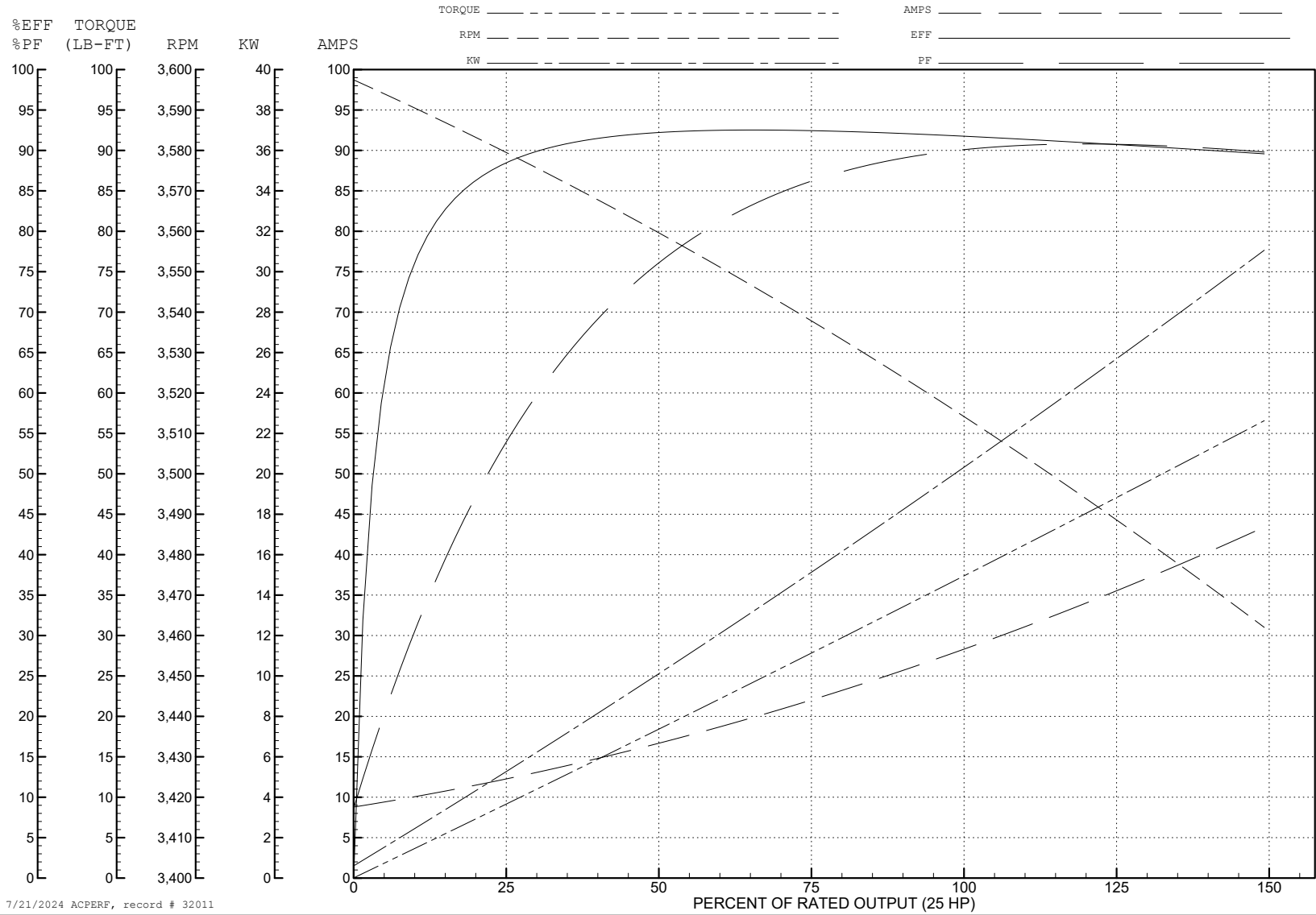
ABB Motors and Mechanical Inc.

WINDING # 39WGx424

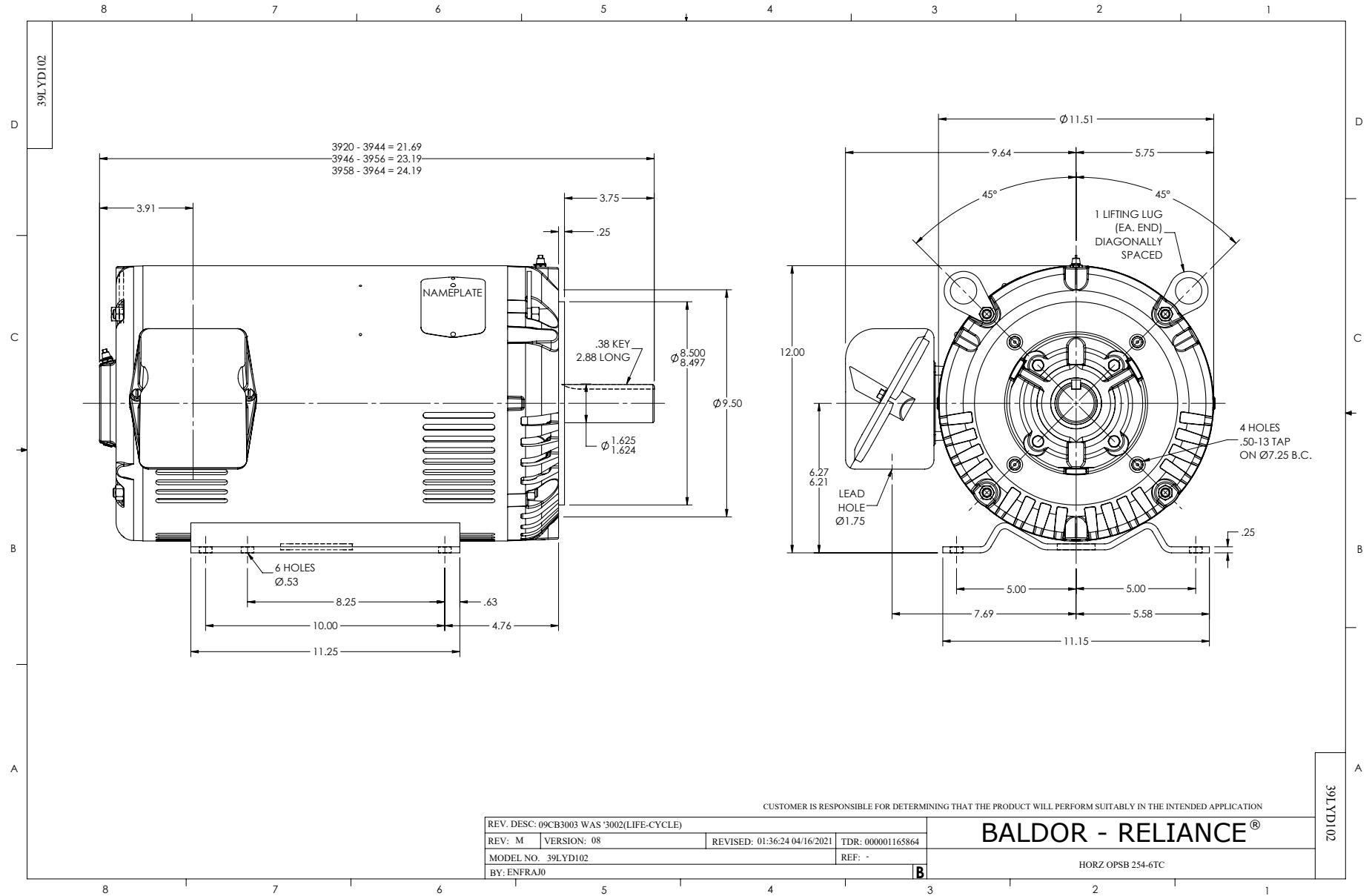
Typical performance - not guaranteed values.

25 HP 3 PH 60 HZ 3515 RPM 460 V 3938M

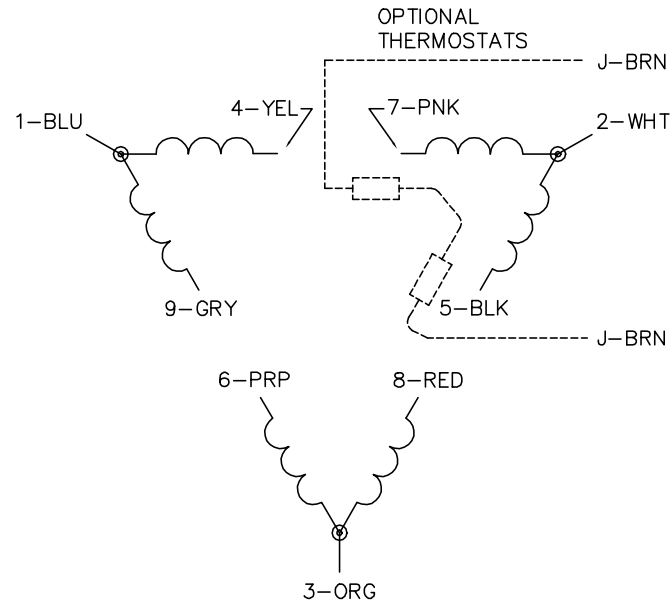
TORQUES (LB-FT): PO=148 PU=54.9 LR=77.2 LRA=197



7/21/2024 ACPERF, record # 32011



CD0180



LOW VOLTAGE
(2D)



HIGH VOLTAGE
(1D)



NOTES:

1. INTERCHANGE ANY TWO LINE LEADS TO REVERSE ROTATION.
2. OPTIONAL THERMOSTATS ARE PROVIDED WHEN SPECIFIED.
3. ACTUAL NUMBER OF INTERNAL PARALLEL CIRCUITS MAY BE A MULTIPLE OF THOSE SHOWN ABOVE.
4. LEAD COLORS ARE OPTIONAL. LEADS MUST ALWAYS BE NUMBERED AS SHOWN.

CD0180

REV. DESC: ADD CLASS CONN00000007		
REV. LTR: D	VERSION: 01	TDR: 000001099922
FILE: \AAA\00005\148	REVISED: 10: 25: 29 02/19/2019	BY: ENBRIRO
MTL: -	© □	

BALDOR - RELIANCE®

3PH, DV, 9 LEADS, DELTA CONNECTION

SH 1 of 1