

ABB BALDOR RELIANCE III



Customer information packet

CEM2515T

20HP, 1765RPM, 3PH, 60HZ, 256TC, 3948M, OPSB, F

Class - None

Division - Not Applicable

Specifications

Enclosure	OPSB
Frame	256TC
Frame Material	Steel
Frequency	60.00 Hz
Haz Area Class and Group	None
Haz Area Division	Not Applicable
Motor Letter Type	Three Phase
Output @ Frequency	20.000 HP @ 60 HZ
Phase	3
Synchronous Speed @ Frequency	1800 RPM @ 60 HZ
Voltage @ Frequency	460.0 V @ 60 HZ 230.0 V @ 60 HZ
Agency Approvals	CURUSEEV NEMA PREMIUM NEMA PREMIUM (OLD LOGO)
Ambient Temperature	40 °C
Auxiliary Box	NO AUXILLARY BOX
Auxiliary Box Lead Termination	None
Base Indicator	Rigid
Bearing Grease Type	Polyrex EM (-20F +300F)
Blower	None
Current @ Voltage	48.000 A @ 230.0 V 52.000 A @ 208.0 V 24.000 A @ 460.0 V
Design Code	A
Drip Cover	No Drip Cover
Duty Rating	CONT
Efficiency @ 100% Load	93.0 %
Electrically Isolated Bearing	Not Electrically Isolated
Feedback Device	NO FEEDBACK
Front Face Code	Standard
Front Shaft Indicator	None

Part Detail

Revision	P
Type	AC
Mech. spec.	39D102
Base	
Status	PRD/A
Elec. spec.	39WGX952
Layout	39LYD102
Eff. date	12-12-2025
CD Diagram	CD0180
Poles	04
Leads	9#10
Proprietary	False
Created date	06-22-2016

Heater Indicator	No Heater
High Voltage Full Load Amps	24.0 a
Insulation Class	F
Inverter Code	Inverter Ready
KVA Code	G
Lifting Lugs	Standard Lifting Lugs
Locked Bearing Indicator	Locked Bearing
Motor Lead Exit	Ko Box
Motor Lead Quantity/Wire Size	9 @ 10 AWG
Motor Lead Termination	Flying Leads
Motor Standards	NEMA
Motor Type	3948M
Mounting Arrangement	F1
Number of Poles	4
Overall Length	23.19 IN
Power Factor	85
Product Family	General Purpose
Pulley End Bearing Type	Ball
Pulley Face Code	C-Face
Pulley Shaft Indicator	Standard
Rodent Screen	None
Service Factor	1.15
Shaft Diameter	1.625 IN
Shaft Extension Location	Pulley End
Shaft Ground Indicator	No Shaft Grounding
Shaft Rotation	Reversible
Shaft Slinger Indicator	No Slinger
Speed	1765 rpm
Speed Code	Single Speed
Starting Method	Direct on line
Thermal Device - Bearing	None
Thermal Device - Winding	None
Vibration Sensor Indicator	No Vibration Sensor
Winding Thermal 1	None

Winding Thermal 2

None

Nameplate

NP3554LUA									
CAT.NO.	CEM2515T			P/N				ENCL	OPSB
SPEC.	39D102X952G1	CC	010A	FRAME	256TC		SER.NO.		
HP	20		CLASS	F	HZ	60			
RPM	1765		PH	3	DES	A			
VOLTS	230/460		CODE	G	ODE BRG	6208	DE BRG	6309	
AMPS	48/24								
RATING	40C AMB-CONT		NEMA-NOM-EFF	93	GREASE	POLYREX EM			
PF	85	SER.F.	1.15		CT30-60(2:1) VT3-60(20:1)				
USABLE AT	50HZ 20HP 190/380V 58/29A			SF 1.0					
HTR-VOLTS	HTR-AMPS		MAX. SPACE HEATER TEMP.						

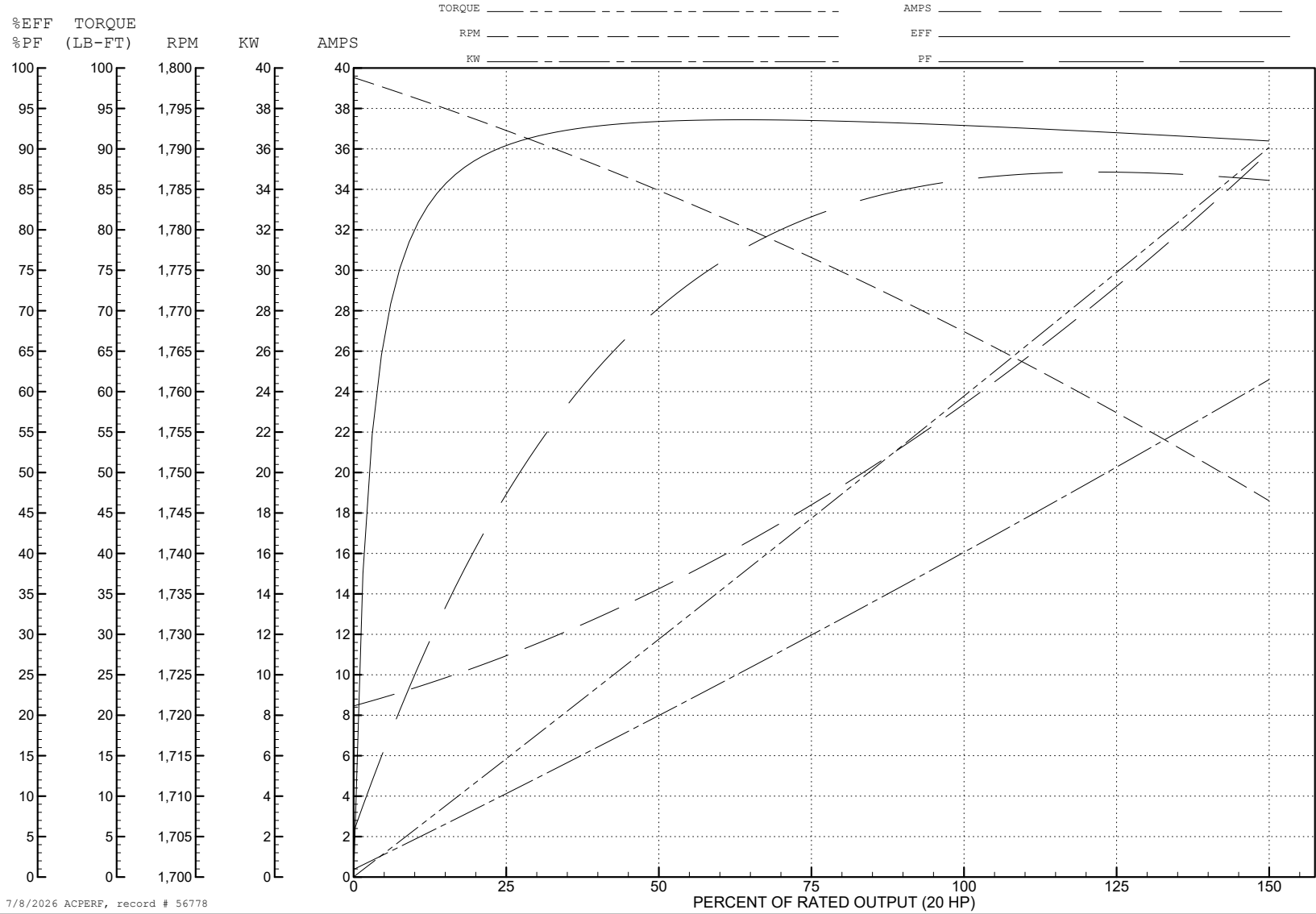
ABB Motors and Mechanical Inc.

WINDING # 39WGX952

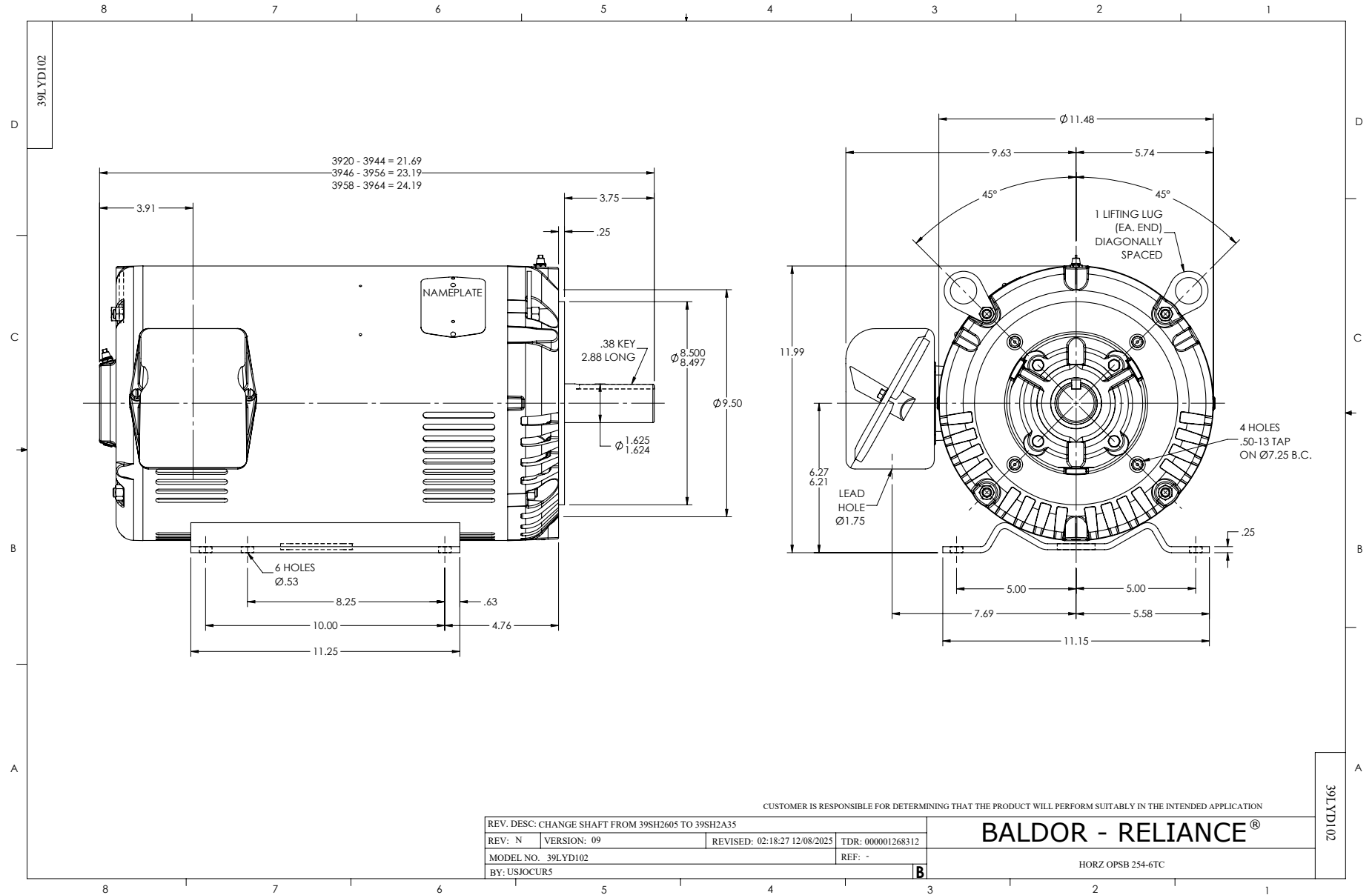
Typical performance - not guaranteed values.

20 HP 3 PH 60 HZ 1765 RPM 460 V 3948M

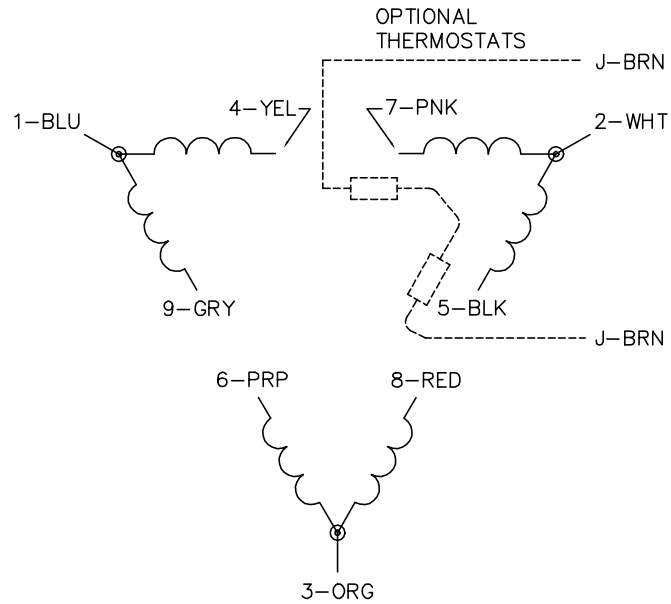
TORQUES (LB-FT): PO=187 PU=78.1 LR=112 LRA=156



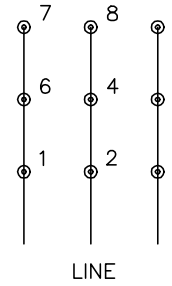
7/8/2026 ACPERF, record # 56778



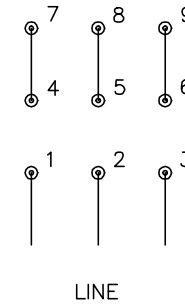
CD0180



LOW VOLTAGE
(2D)



HIGH VOLTAGE
(1D)



NOTES:

1. INTERCHANGE ANY TWO LINE LEADS TO REVERSE ROTATION.
2. OPTIONAL THERMOSTATS ARE PROVIDED WHEN SPECIFIED.
3. ACTUAL NUMBER OF INTERNAL PARALLEL CIRCUITS MAY BE A MULTIPLE OF THOSE SHOWN ABOVE.
4. LEAD COLORS ARE OPTIONAL. LEADS MUST ALWAYS BE NUMBERED AS SHOWN.

CD0180

REV. DESC: ADD CLASS CONN00000007		
REV. LTR: D	VERSION: 01	TDR: 000001099922
FILE: \AAA\00005\148	REVISED: 10: 25: 29 02/19/2019	BY: ENBRIRO
MTL: -	© □	

BALDOR - RELIANCE®

3PH, DV, 9 LEADS, DELTA CONNECTION

SH 1 of 1