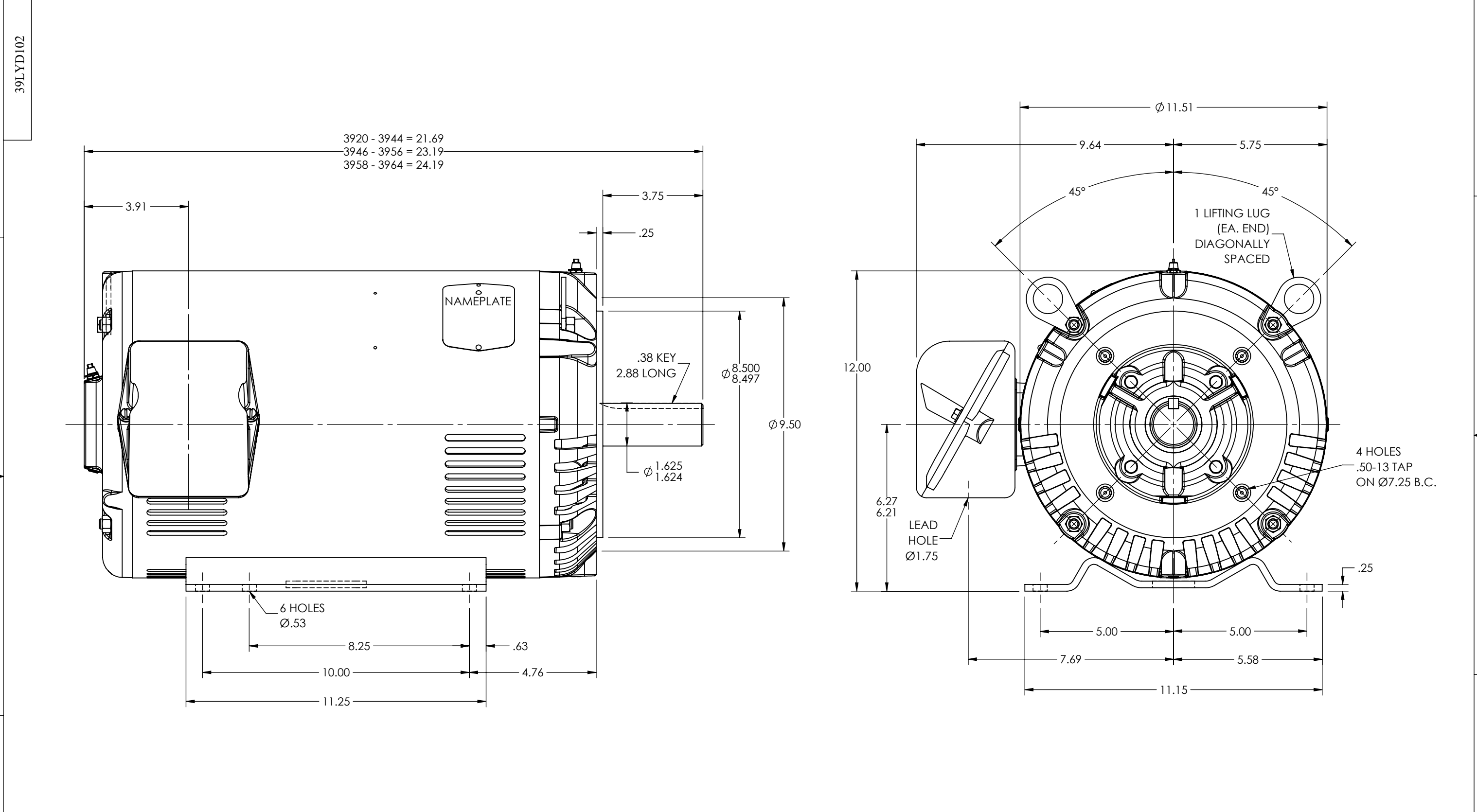


8 7 6 5 4 3 2 1



A

CUSTOMER IS RESPONSIBLE FOR DETERMINING THAT THE PRODUCT WILL PERFORM SUITABLY IN THE INTENDED APPLICATION

REV. DESC: 09CB3003 WAS '3002(LIFE-CYCLE)			
REV: M	VERSION: 08	REVISED: 01:36:24 04/16/2021	TDR: 000001165864
MODEL NO. 39LYD102			REF: -
BY: ENFRAJ0			B

BALDOR - RELIANCE®

HORZ OPSB 254-6TC

8 7 6 5 4 3 2 1

39LYD102