

**BALDOR • RELIANCE**

---

# Customer information packet

## CEM2506T

7.5HP, 1180RPM, 3PH, 60HZ, 254TC, OPSB, F1

Class - None

Division - Not Applicable

## Specifications

Enclosure	OPSB
Frame	254TC
Frame Material	Steel
Frequency	60.00 Hz
Haz Area Class and Group	None
Haz Area Division	Not Applicable
Motor Letter Type	Three Phase
Output @ Frequency	7.500 HP @ 60 HZ
Phase	3
Synchronous Speed @ Frequency	1200 RPM @ 60 HZ
Voltage @ Frequency	230.0 V @ 60 HZ 460.0 V @ 60 HZ
Agency Approvals	CURUSEEV NEMA PREMIUM
Ambient Temperature	40 °C
Auxillary Box	No Auxillary Box
Auxillary Box Lead Termination	None
Base Indicator	Rigid
Bearing Grease Type	Polyrex EM (-20F +300F)
Blower	None
Current @ Voltage	11.000 A @ 460.0 V 22.400 A @ 230.0 V
Design Code	A
Drip Cover	No Drip Cover
Duty Rating	CONT
Efficiency @ 100% Load	90.2 %
Electrically Isolated Bearing	Not Electrically Isolated
Feedback Device	NO FEEDBACK
Heater Indicator	No Heater
High Voltage Full Load Amps	11.0 a
Insulation Class	F
Inverter Code	Inverter Ready

## Part detail

Revision	H
Type	AC
Mech. spec.	
Base	
Status	PRD/A
Elec. spec.	39WGX747
Layout	39LYD102
Eff. date	11-14-2023
CD Diagram	CD0180
Poles	06
Leads	9#12
Proprietary	False
Created date	02-20-2020

IP Rating	NONE
KVA Code	H
Lifting Lugs	Standard Lifting Lugs
Locked Bearing Indicator	Locked Bearing
Motor Lead Termination	Flying Leads
Motor Standards	NEMA
Motor Type	3950M
Mounting Arrangement	F1
Number of Poles	6
Overall Length	23.19 IN
Power Factor	70
Product Family	General Purpose
Pulley Face Code	C-Face
Rodent Screen	None
Service Factor	1.15
Shaft Diameter	1.625 IN
Shaft Ground Indicator	No Shaft Grounding
Shaft Rotation	Reversible
Speed	1180 rpm
Speed Code	Single Speed
Starting Method	Direct on line
Thermal Device - Bearing	None
Thermal Device - Winding	None
Vibration Sensor Indicator	No Vibration Sensor
Winding Thermal 1	None
Winding Thermal 2	None

**Nameplate**

<b>NP1259L</b>									
<b>CAT.NO.</b>	CEM2506T								
<b>SPEC.</b>	39-0000786								
<b>HP</b>	7.5								
<b>VOLTS</b>	230/460								
<b>AMP</b>	22.4/11								
<b>RPM</b>	1180								
<b>FRAME</b>	254TC	<b>HZ</b>	60	<b>PH</b>	3				
<b>SER.F.</b>	1.15	<b>CODE</b>	H	<b>DES</b>	A	<b>CL</b>	F		
<b>NEMA-NOM-EFF</b>	90.2	<b>PF</b>	70						
<b>RATING</b>	40C AMB-CONT								
<b>CC</b>	010A								
<b>DE</b>	6309	<b>ODE</b>	6208						
<b>ENCL</b>	OPSB	<b>SN</b>							

**AC Induction Motor Performance Data**

Record # 70940

Typical performance - not guaranteed values

<b>Winding: 39WGX747-R001</b>		<b>Type: 3950M</b>		<b>Enclosure: OPSB</b>	
<b>Nameplate Data</b>			<b>460 V, 60 Hz: High Voltage Connection</b>		
<b>Rated Output (HP)</b>	7.5	<b>Full Load Torque</b>	33.36 LB-FT		
<b>Volts</b>	230/460	<b>Start Configuration</b>	direct on line		
<b>Full Load Amps</b>	22.8/11.4	<b>Breakdown Torque</b>	110 LB-FT		
<b>R.P.M.</b>	1180	<b>Pull-up Torque</b>	42.6 LB-FT		
<b>Hz</b>	60 <b>Phase</b>	3	<b>Locked-rotor Torque</b>	61.2 LB-FT	
<b>NEMA Design Code</b>	A <b>KVA Code</b>	K	<b>Starting Current</b>	76.9 A	
<b>Service Factor (S.F.)</b>	1.15		<b>No-load Current</b>	6.51 A	
<b>NEMA Nom. Eff.</b>	90.2 <b>Power Factor</b>	68	<b>Line-line Res. @ 25°C</b>	1.0034 Ω	
<b>Rating - Duty</b>	40C AMB-CONT		<b>Temp. Rise @ Rated Load</b>	27°C	
<b>S.F. Amps</b>			<b>Temp. Rise @ S.F. Load</b>	32°C	
			<b>Locked-rotor Power Factor</b>	26.3	

**Load Characteristics 460 V, 60 Hz, 7.5 HP**

<b>% of Rated Load</b>	<b>25</b>	<b>50</b>	<b>75</b>	<b>100</b>	<b>125</b>	<b>150</b>	<b>S.F.</b>
<b>Power Factor</b>	30	49	61	68	72	74	70
<b>Efficiency</b>	82	88.7	90.4	90.7	90.4	89.6	90.5
<b>Speed</b>	1195.7	1192.4	1188.2	1183.9	1179.4	1174.3	1181
<b>Line amperes</b>	6.99	8.06	9.59	11.4	13.5	15.9	12.7

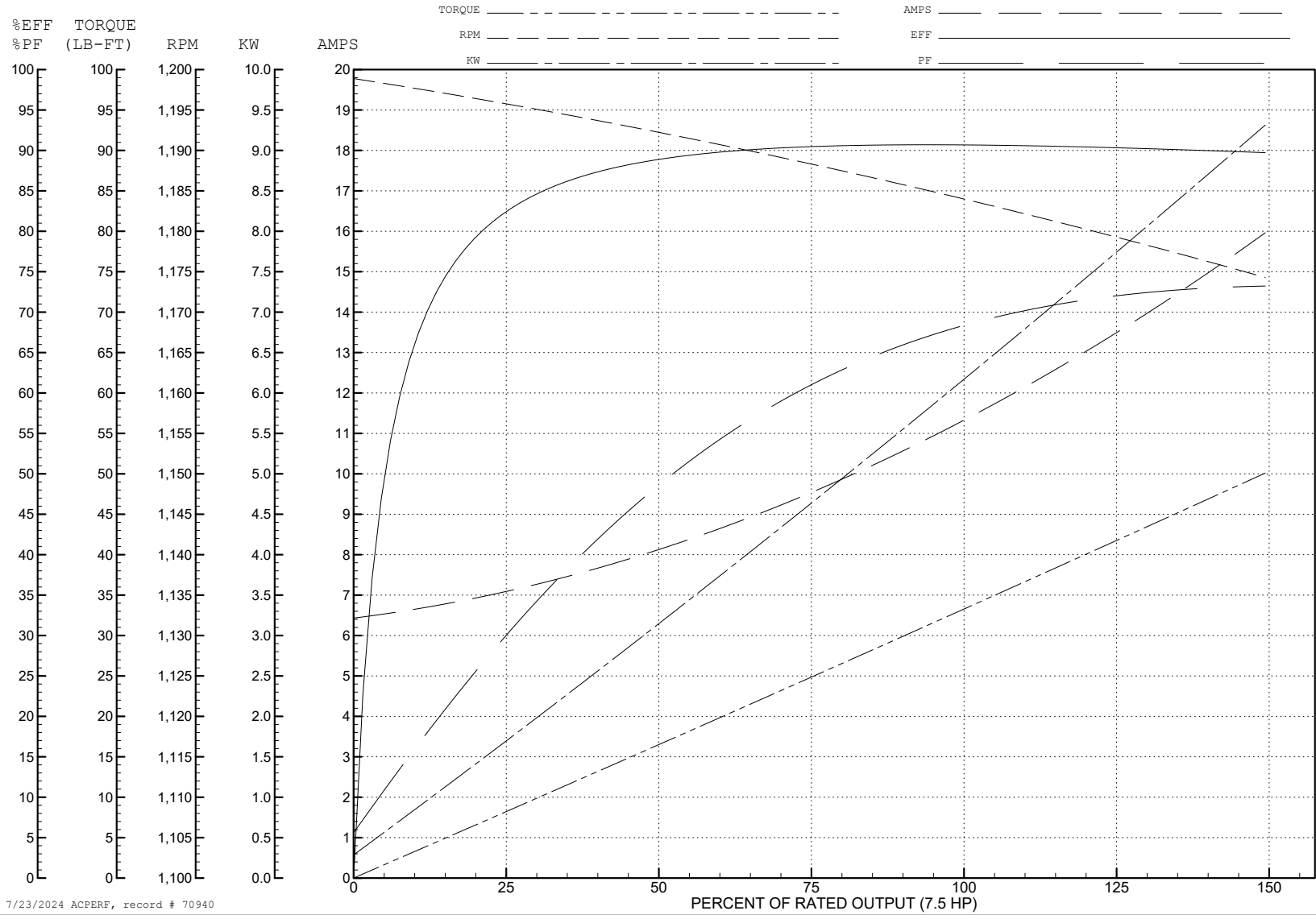
ABB Motors and Mechanical Inc.

WINDING # 39WGx747

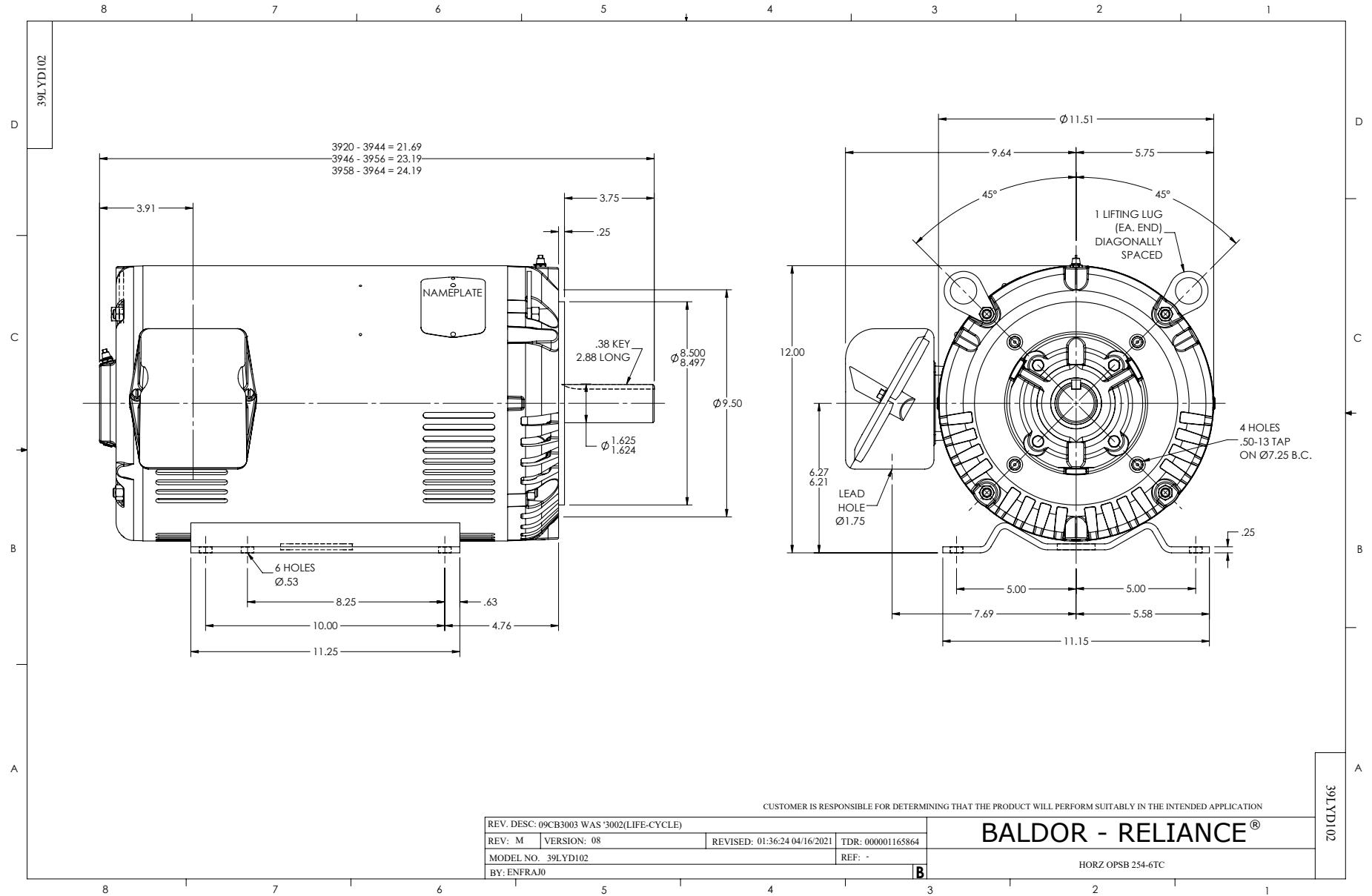
Typical performance - not guaranteed values.

7.5 HP 3 PH 60 HZ 1180 RPM 460 V 3950M

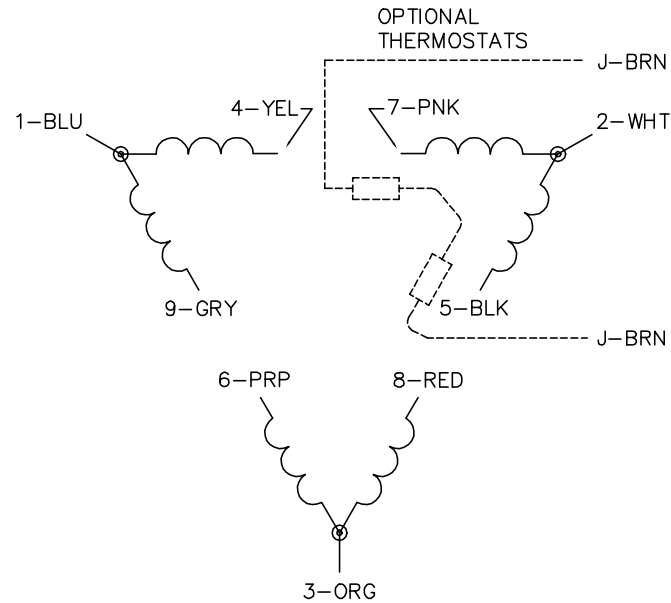
TORQUES (LB-FT): PO=110 PU=42.6 LR=61.2 LRA=76.9



7/23/2024 ACPERF, record # 70940



CD0180



LOW VOLTAGE  
(2D)



HIGH VOLTAGE  
(1D)



NOTES:

1. INTERCHANGE ANY TWO LINE LEADS TO REVERSE ROTATION.
2. OPTIONAL THERMOSTATS ARE PROVIDED WHEN SPECIFIED.
3. ACTUAL NUMBER OF INTERNAL PARALLEL CIRCUITS MAY BE A MULTIPLE OF THOSE SHOWN ABOVE.
4. LEAD COLORS ARE OPTIONAL. LEADS MUST ALWAYS BE NUMBERED AS SHOWN.

CD0180

REV. DESC: ADD CLASS CONN00000007		
REV. LTR: D	VERSION: 01	TDR: 000001099922
FILE: \AAA\00005\148	REVISED: 10: 25: 29 02/19/2019	BY: ENBRIRO
MTL: -	© □	

**BALDOR - RELIANCE®**

3PH, DV, 9 LEADS, DELTA CONNECTION

SH 1 of 1