



---

# Customer information packet

## CEM2506T-G

7.5HP, 1180RPM, 3PH, 60HZ, 254TC, OPSB, F1

Class - None

Division - Not Applicable

## Specifications

|                                |  |
|--------------------------------|--|
| Enclosure                      | OPSB                                     |
| Frame                          | 254TC                                    |
| Frame Material                 | Steel                                    |
| Frequency                      | 60.00 Hz                                 |
| Haz Area Class and Group       | None                                     |
| Haz Area Division              | Not Applicable                           |
| Motor Letter Type              | Three Phase                              |
| Output @ Frequency             | 7.500 HP @ 60 HZ                         |
| Phase                          | 3  |
| Synchronous Speed @ Frequency  | 1200 RPM @ 60 HZ                         |
| Voltage @ Frequency            | 230.0 V @ 60 HZ<br>460.0 V @ 60 HZ       |
| Agency Approvals               | CSA<br>CSA EEV<br>NEMA PREMIUM<br>UR     |
| Ambient Temperature            | 40 °C                                    |
| Auxillary Box                  | No Auxillary Box                         |
| Auxillary Box Lead Termination | None                                     |
| Base Indicator                 | Rigid                                    |
| Bearing Grease Type            | Polyrex EM (-20F +300F)                  |
| Blower                         | None                                     |
| Current @ Voltage              | 22.400 A @ 230.0 V<br>11.000 A @ 460.0 V |
| Design Code                    | A  |
| Drip Cover                     | No Drip Cover                            |
| Duty Rating                    | CONT                                     |
| Efficiency @ 100% Load         | 90.2 %                                   |
| Electrically Isolated Bearing  | Not Electrically Isolated                |
| Feedback Device                | NO FEEDBACK                              |
| Heater Indicator               | No Heater                                |
| High Voltage Full Load Amps    | 11.0 a                                   |

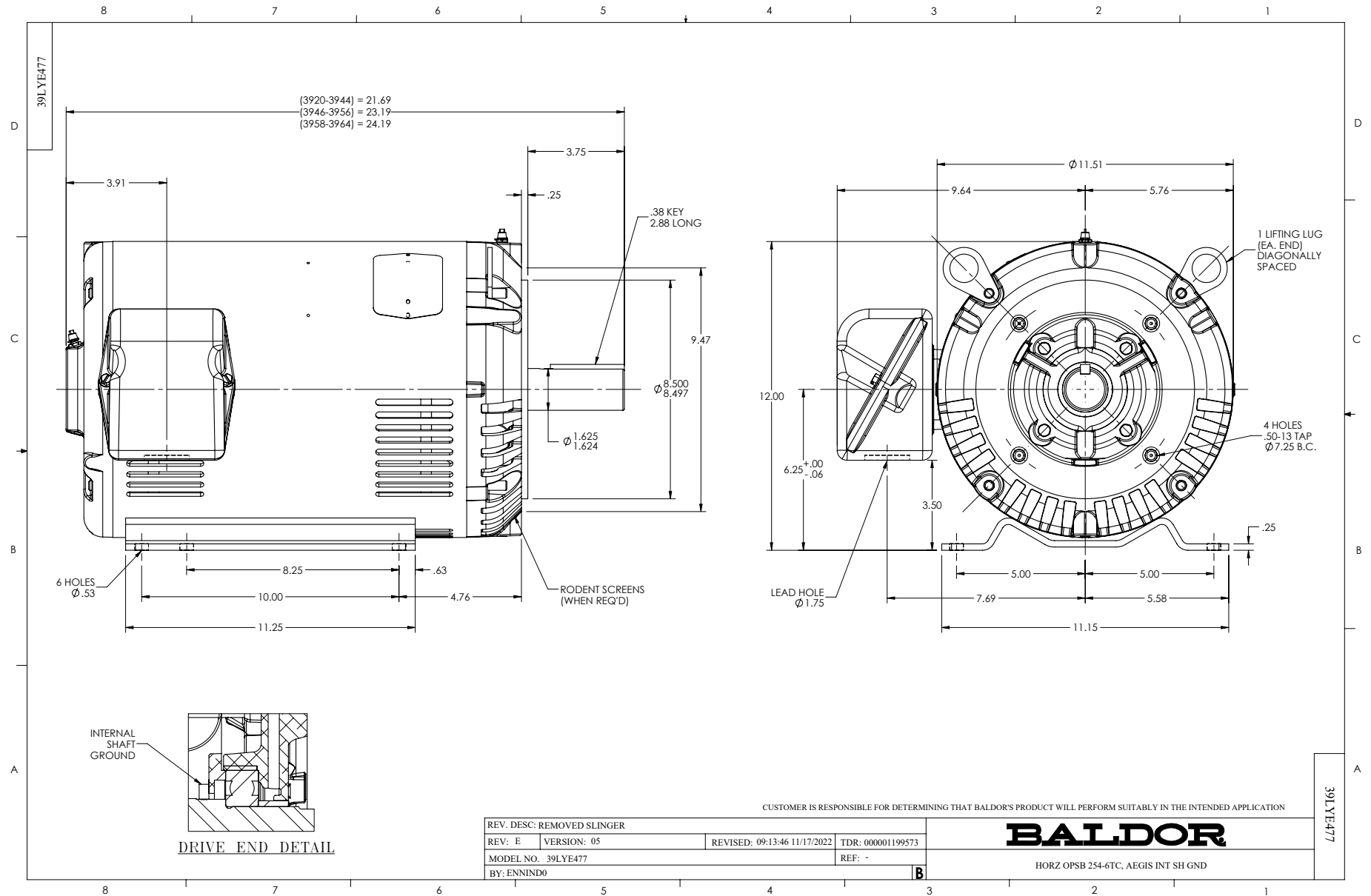
## Part detail

|              |            |
|--------------|------------|
| Revision     | J          |
| Type         | AC         |
| Mech. spec.  |            |
| Base         |            |
| Status       | PRD/A      |
| Elec. spec.  | 39WGX747   |
| Layout       | 39LYE477   |
| Eff. date    | 06-11-2024 |
| CD Diagram   | CD0180     |
| Poles        | 06         |
| Leads        | 9#12       |
| Proprietary  | False      |
| Created date | 02-20-2020 |

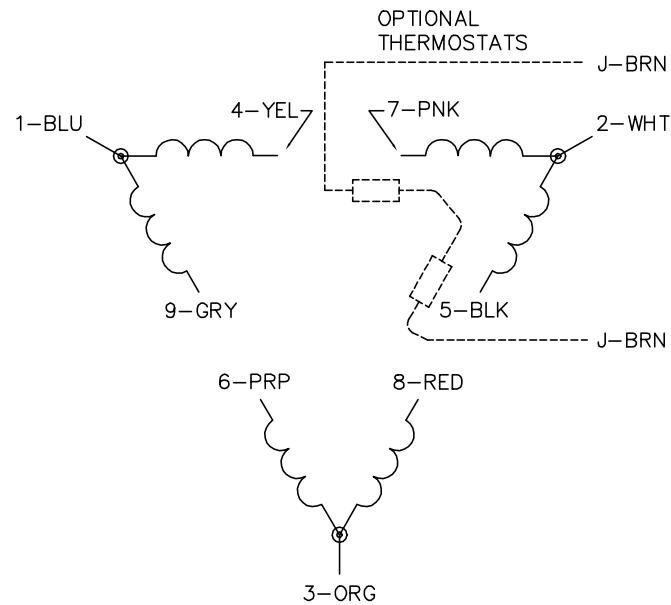
|                                   |                       |
|-----------------------------------|-----------------------|
| <b>Insulation Class</b>           | H                     |
| <b>Inverter Code</b>              | Inverter Ready        |
| <b>IP Rating</b>                  | NONE                  |
| <b>KVA Code</b>                   | H                     |
| <b>Lifting Lugs</b>               | Standard Lifting Lugs |
| <b>Locked Bearing Indicator</b>   | Locked Bearing        |
| <b>Motor Lead Termination</b>     | Flying Leads          |
| <b>Motor Standards</b>            | NEMA                  |
| <b>Motor Type</b>                 | 3950M                 |
| <b>Mounting Arrangement</b>       | F1                    |
| <b>Number of Poles</b>            | 6                     |
| <b>Overall Length</b>             | 23.19 IN              |
| <b>Power Factor</b>               | 70                    |
| <b>Product Family</b>             | General Purpose       |
| <b>Pulley Face Code</b>           | C-Face                |
| <b>Rodent Screen</b>              | None                  |
| <b>Service Factor</b>             | 1.15                  |
| <b>Shaft Diameter</b>             | 1.625 IN              |
| <b>Shaft Ground Indicator</b>     | Shaft Grounding       |
| <b>Shaft Rotation</b>             | Reversible            |
| <b>Speed</b>                      | 1180 rpm              |
| <b>Speed Code</b>                 | Single Speed          |
| <b>Starting Method</b>            | Direct on line        |
| <b>Thermal Device - Bearing</b>   | None                  |
| <b>Thermal Device - Winding</b>   | None                  |
| <b>Vibration Sensor Indicator</b> | No Vibration Sensor   |
| <b>Winding Thermal 1</b>          | None                  |
| <b>Winding Thermal 2</b>          | None                  |

**Nameplate****NP3553LUA**

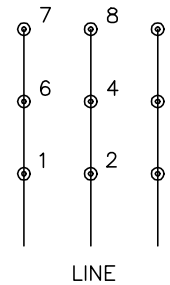
|                                  |                                |             |      |            |   |              |   |
|----------------------------------|--------------------------------|-------------|------|------------|---|--------------|---|
| <b>CAT.NO.</b>                   | CEM2506T-G                     |             |      |            |   |              |   |
| <b>SPEC.</b>                     | 39-0000-0266                   |             |      |            |   |              |   |
| <b>HP</b>                        | 7.5                            |             |      |            |   |              |   |
| <b>VOLTS</b>                     | 230/460                        |             |      |            |   |              |   |
| <b>AMPS</b>                      | 22.4/11                        |             |      |            |   |              |   |
| <b>RPM</b>                       | 1180                           |             |      |            |   |              |   |
| <b>FRAME</b>                     | 254TC                          | <b>HZ</b>   | 60   | <b>PH</b>  | 3 |              |   |
| <b>SF</b>                        | 1.15                           | <b>CODE</b> | H    | <b>DES</b> | A | <b>CLASS</b> | H |
| <b>NEMA NOM. EFF</b>             | 90.2                           | <b>PF</b>   | 70   |            |   |              |   |
| <b>RATING</b>                    | 40C AMB-CONT                   |             |      |            |   |              |   |
| <b>CC</b>                        | 010A                           |             |      |            |   |              |   |
| <b>ENCL</b>                      | OPSB                           | <b>SN</b>   |      |            |   |              |   |
| <b>DE</b>                        | 6309                           | <b>ODE</b>  | 6208 |            |   |              |   |
| <b>VPWM INVERTER READY</b>       |                                |             |      |            |   |              |   |
| <b>CT30-60(2:1) VT3-60(20:1)</b> |                                |             |      |            |   |              |   |
| <b>USABLE AT</b>                 | 50HZ 7.5HP 190/380V 26.4/13.2A |             |      |            |   | SF1.0        |   |



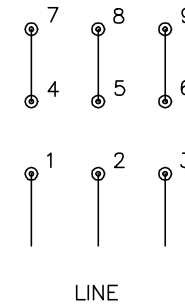
CD0180



LOW VOLTAGE  
(2D)



HIGH VOLTAGE  
(1D)



NOTES:

1. INTERCHANGE ANY TWO LINE LEADS TO REVERSE ROTATION.
2. OPTIONAL THERMOSTATS ARE PROVIDED WHEN SPECIFIED.
3. ACTUAL NUMBER OF INTERNAL PARALLEL CIRCUITS MAY BE A MULTIPLE OF THOSE SHOWN ABOVE.
4. LEAD COLORS ARE OPTIONAL. LEADS MUST ALWAYS BE NUMBERED AS SHOWN.

CD0180

|                                   |                                |                   |
|-----------------------------------|--------------------------------|-------------------|
| REV. DESC: ADD CLASS CONN00000007 |                                |                   |
| REV. LTR: D                       | VERSION: 01                    | TDR: 000001099922 |
| FILE: \AAA\00005\148              | REVISED: 10: 25: 29 02/19/2019 | BY: ENBRIRO       |
| MTL: -                            | © □                            |                   |

**BALDOR - RELIANCE®**

3PH, DV, 9 LEADS, DELTA CONNECTION

SH 1 of 1