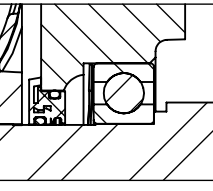
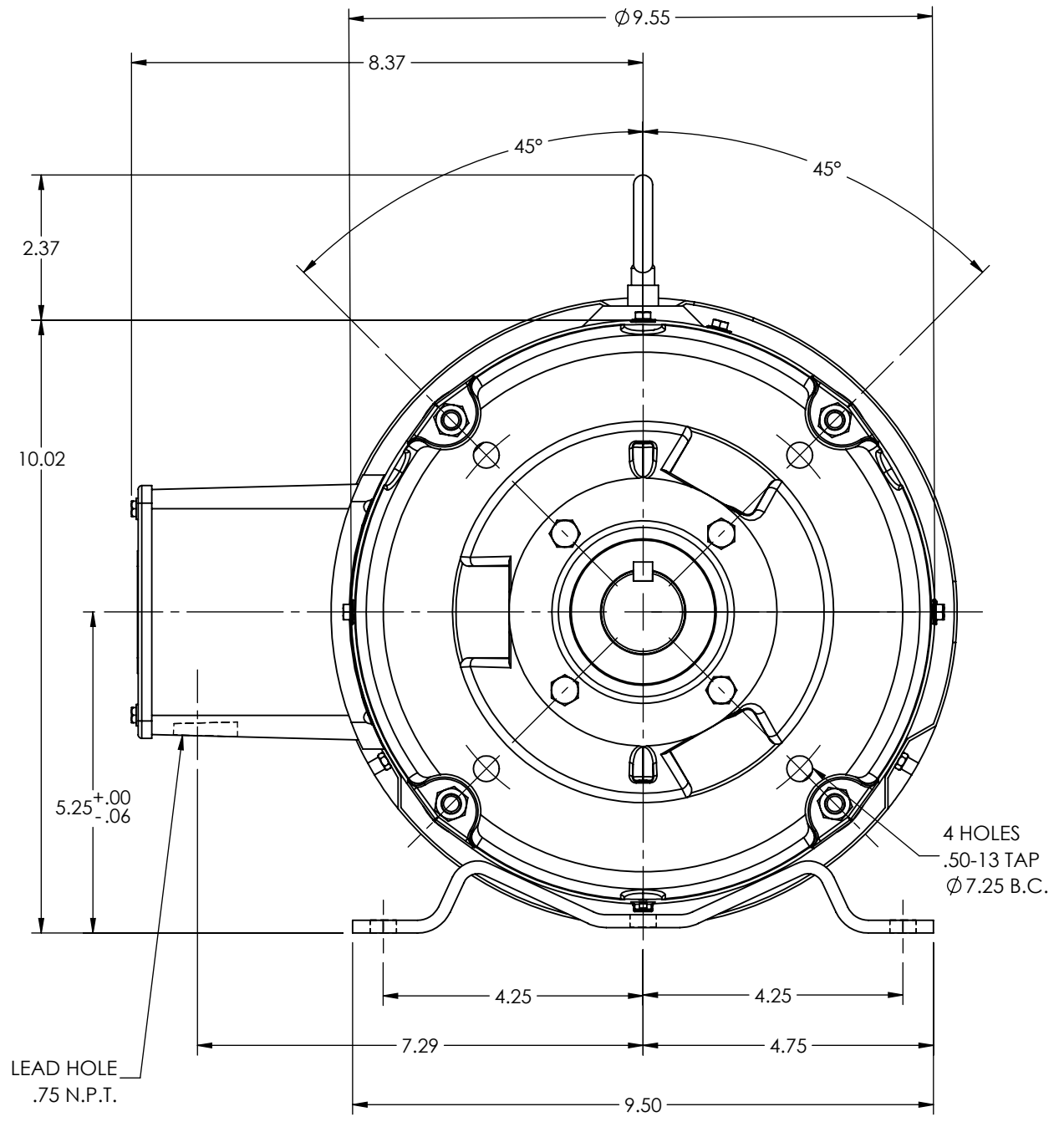
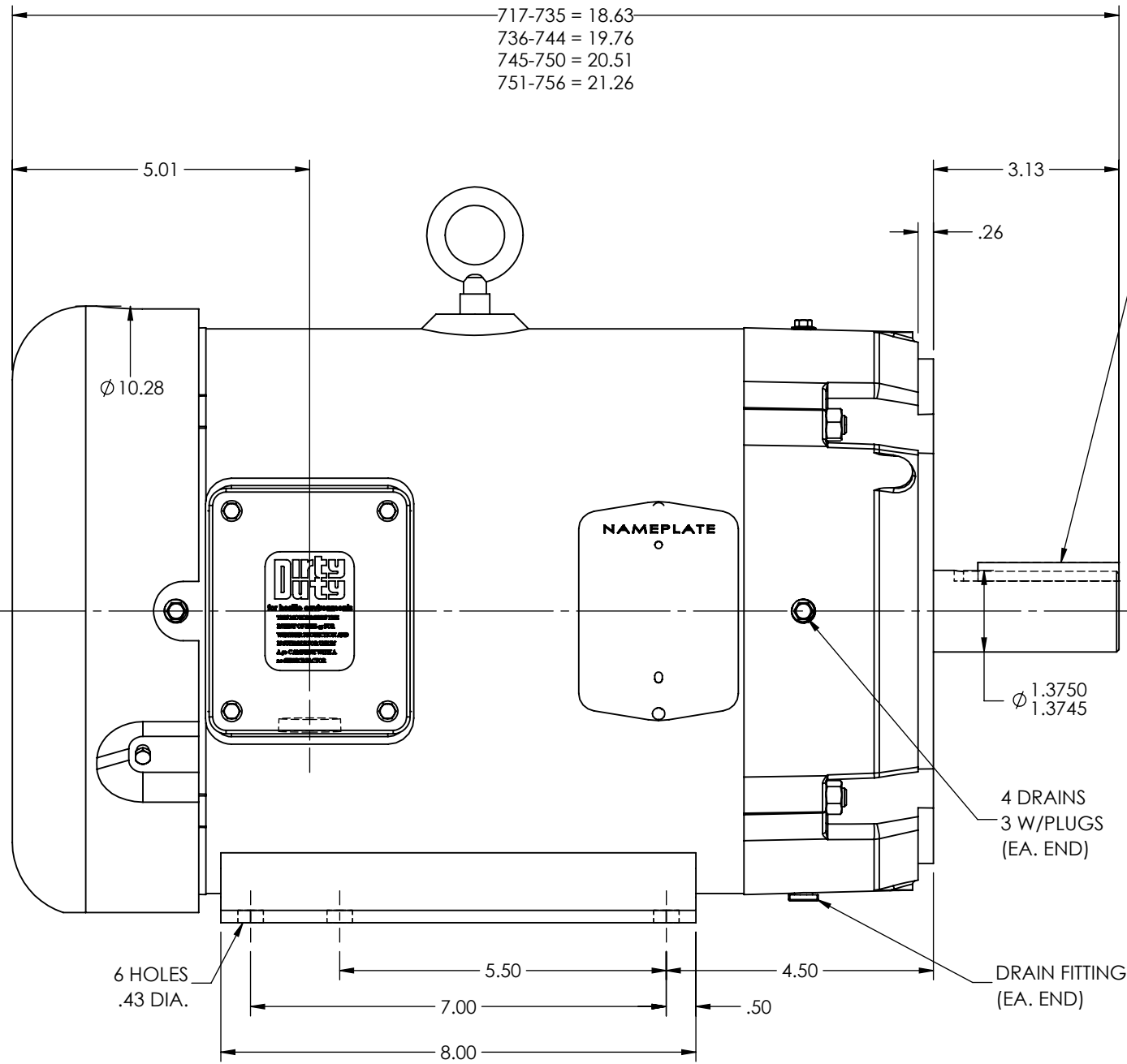


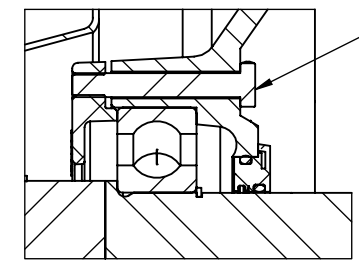
8 7 6 5 4 3 2 1

37LYN854

D
C
B
A



ODE DETAIL



DRIVE END DETAIL

APPLY COAT OF
CLEAR SEALER
UNDER RETAINER
RING SCREW HEADS

CUSTOMER IS RESPONSIBLE FOR DETERMINING THAT THE PRODUCT WILL PERFORM SUITABLY IN THE INTENDED APPLICATION

| | | | |
|---|-------------|------------------------------|-------------------|
| REV. DESC: CONVERT AUTOCAD DRW TO SWD DRW | | | |
| REV: A | VERSION: 01 | REVISED: 12:47:11 10/26/2022 | TDR: 000001198704 |
| MODEL NO. 37LYN854 | | | REF: - |
| BY: ENALEM0 | | | B |

BALDOR - RELIANCE®

STD HORZ 213-5TC TEFC 37M DDP

37LYN854

8 7 6 5 4 3 2 1