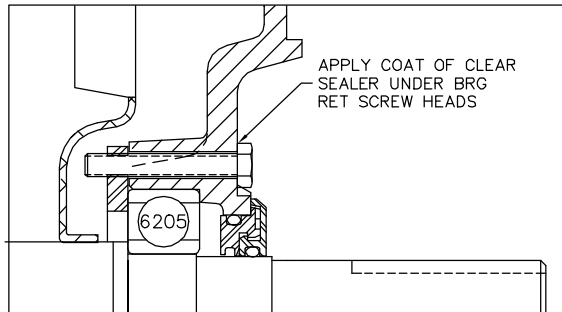
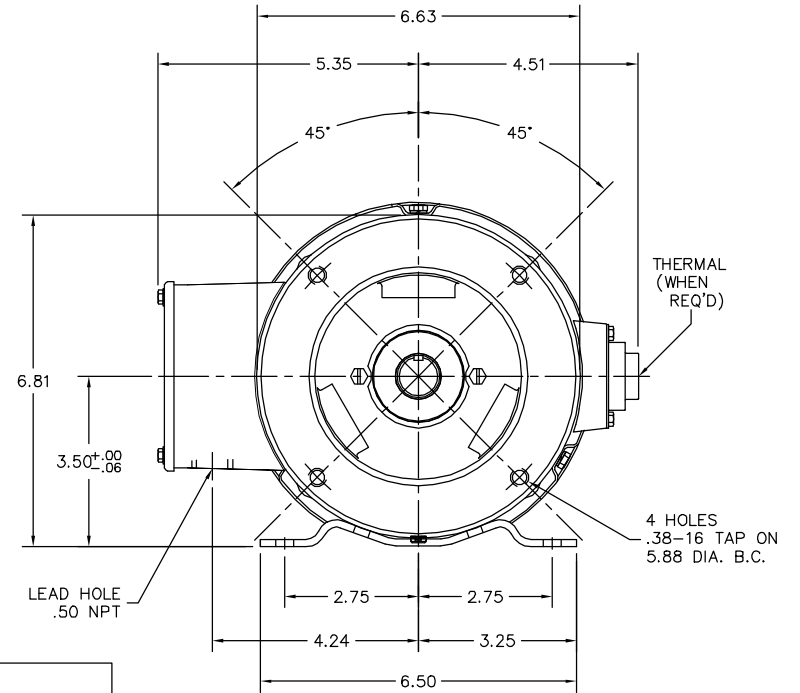
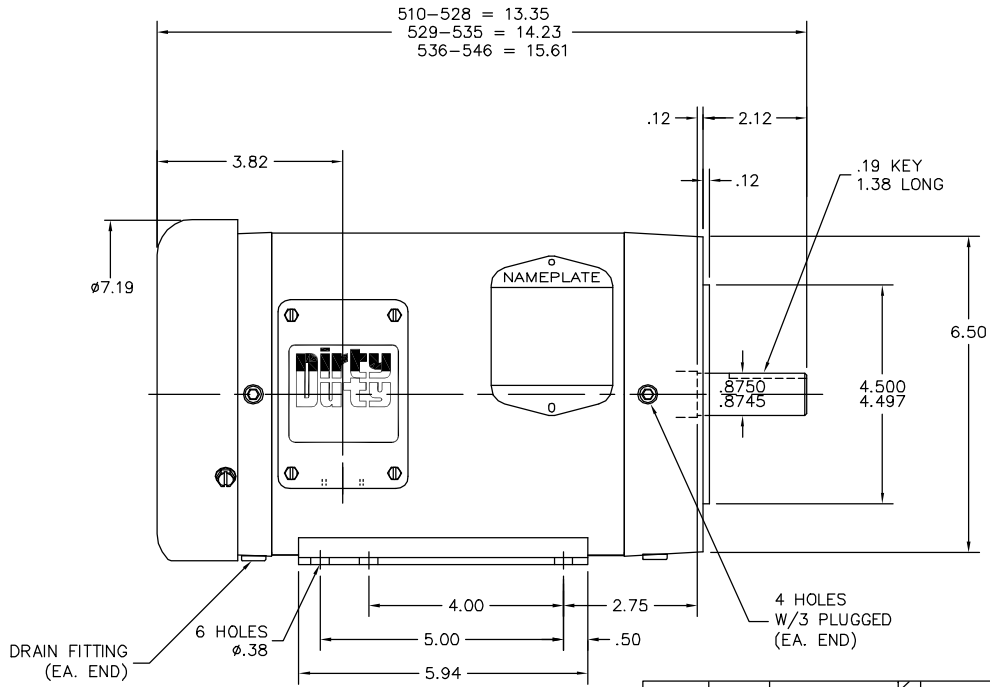
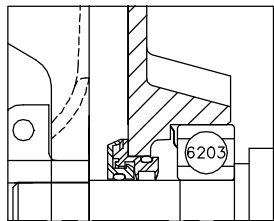


35LYE4328



PULLEY END DETAIL



FRONT END DETAIL

CUSTOMER IS RESPONSIBLE FOR DETERMINING THAT BALDOR'S PRODUCT WILL PERFORM SUITABLY IN THE INTENDED APPLICATION.

REV. DESC: NEW	VERSION: 00	TDR: 00000968710
REV. LTR: -	REVISED: 12: 30: 44 04/22/2016	BY: ENCHALO
FILE: \AAA\00226\359		
MTL: -		

BALDOR

HORZ 143-5TC TEFC 35M DDP

SH 1 of 1

35LYE4328