

**BALDOR • RELIANCE**

---

# Customer information packet

## CECR9154T

15HP, 1765RPM, 3PH, 60HZ, 254T, TEFC, F1

Class - None

Division - Not Applicable

## Specifications

Enclosure	TEFC
Frame	254TC
Frame Material	Iron
Frequency	60.00 Hz
Haz Area Class and Group	None
Haz Area Division	Not Applicable
Motor Letter Type	Three Phase
Output @ Frequency	15.000 HP @ 60 HZ
Phase	3
Synchronous Speed @ Frequency	1800 RPM @ 60 HZ
Voltage @ Frequency	460.0 V @ 60 HZ 230.0 V @ 60 HZ
Agency Approvals	UR CCSA US NEMA_PREMIUM NEMA PREMIUM CSA EEV
Ambient Temperature	40 °C
Auxillary Box	No Auxillary Box
Auxillary Box Lead Termination	None
Base Indicator	Rigid
Bearing Grease Type	Polyrex EM (-20F +300F)
Blower	None
Constant Torque Speed Range	6
Current @ Voltage	18.600 A @ 460.0 V 37.200 A @ 230.0 V 40.000 A @ 208.0 V
Design Code	A
Drip Cover	No Drip Cover
Duty Rating	CONT
Efficiency @ 100% Load	92.4 %
Electrically Isolated Bearing	Not Electrically Isolated

## Part detail

Revision	N
Type	AC
Mech. spec.	09M408
Base	
Status	PRD/A
Elec. spec.	09WGT152
Layout	09LYM408
Eff. date	11-14-2023
CD Diagram	CD0180
Poles	04
Leads	9#12
Proprietary	False
Created date	02-21-2019

Enclosure Modification	Severe Duty Features
Feedback Device	NO FEEDBACK
Front Shaft Indicator	None
Heater Indicator	No Heater
High Voltage Full Load Amps	18.6 a
Insulation Class	F
Inverter Code	Inverter Duty
IP Rating	IP55
KVA Code	H
Lifting Lugs	Standard Lifting Lugs
Locked Bearing Indicator	Locked Bearing
Max Speed	2700 rpm
Motor Lead Quantity/Wire Size	9 @ 12 AWG
Motor Lead Termination	Flying Leads
Motor Standards	NEMA
Motor Type	0948M
Mounting Arrangement	F1
Number of Poles	4
Overall Length	25.28 IN
Power Factor	82
Product Family	Super-E Chemical Processing
Pulley End Bearing Type	Ball
Pulley Face Code	C-Face
Pulley Shaft Indicator	Standard
Rodent Screen	None
Service Factor	1.25
Shaft Diameter	1.625 IN
Shaft Ground Indicator	No Shaft Grounding
Shaft Rotation	Reversible
Shaft Slinger Indicator	Shaft Slinger
Speed	1765 rpm
Speed Code	Single Speed
Starting Method	Direct on line
Thermal Device - Bearing	None

<b>Thermal Device - Winding</b>	None
<b>Vibration Sensor Indicator</b>	No Vibration Sensor
<b>Winding Thermal 1</b>	None
<b>Winding Thermal 2</b>	None

**Nameplate**

**NP3293**

<b>CAT.NO.</b>	CECR9154T	<b>P/N</b>		<b>ENCLOSURE</b>	TEFC				
<b>SPEC.</b>	09M408T152G1	<b>CC</b>	010A	<b>FRAME</b>	254TC	<b>S/N</b>			
<b>HP</b>	15	<b>CLASS</b>	F	<b>HZ</b>	60	<b>DES</b>	A		
<b>RPM</b>	1765	<b>RPM MAX</b>	2700	<b>PH</b>	3	<b>KVA-CODE</b>	H		
<b>VOLT</b>	230/460	<b>I.P.</b>	55						
<b>AMP</b>	37.2/18.6	<b>SER.F.</b>	1.25	<b>PF</b>	82	<b>ODE BRG</b>	6309	<b>DE BRG</b>	6311
<b>RATING</b>	40C AMB-CONT	<b>NEMA-NOM-EFF</b>	92.4	<b>GREASE</b>	POLYREX EM				
<b>HTR-VOLTS</b>	<b>HTR-AMPS</b>	<b>HTR-WATTS</b>		<b>INV.TYPE</b>					
	SFA 46/23								
		<b>C HP FR</b>	60	<b>C HP TO</b>	90				
		<b>CT HZ FROM</b>	6	<b>CT HZ TO</b>	60				
		<b>MOTOR WEIGHT</b>	286	<b>VT HZ FROM</b>	6	<b>VT HZ TO</b>	60		

**AC Induction Motor Performance Data**

Record # 48597

Typical performance - not guaranteed values

Winding: 09WGT152-R001		Type: 0948M	Enclosure: TEFC	
<b>Nameplate Data</b>			<b>460 V, 60 Hz: High Voltage Connection</b>	
Rated Output (HP)	15	Full Load Torque	44.7 LB-FT	
Volts	230/460	Start Configuration	direct on line	
Full Load Amps	37.2/18.6	Breakdown Torque	145 LB-FT	
R.P.M.	1765	Pull-up Torque	78.4 LB-FT	
Hz	60 Phase	Locked-rotor Torque	119 LB-FT	
NEMA Design Code	A KVA Code	Starting Current	120 A	
Service Factor (S.F.)	1.25	No-load Current	7.67 A	
NEMA Nom. Eff.	92.4 Power Factor	Line-line Res. @ 25°C	0.548 Ω	
Rating - Duty	40C AMB-CONT	Temp. Rise @ Rated Load	53°C	
S.F. Amps	46/23	Temp. Rise @ S.F. Load	65°C	
		Locked-rotor Power Factor	39.5	
		Rotor inertia	2.09 lb-ft <sup>2</sup>	

**Load Characteristics 460 V, 60 Hz, 15 HP**

% of Rated Load	25	50	75	100	125	150	S.F.
Power Factor	45	67	77	82	84	84	83
Efficiency	89	92.5	93	92.6	91.7	90.5	92.1
Speed	1793	1786	1777	1768	1758	1747	1762
Line amperes	8.81	11.3	14.7	18.6	23	27.7	21.2

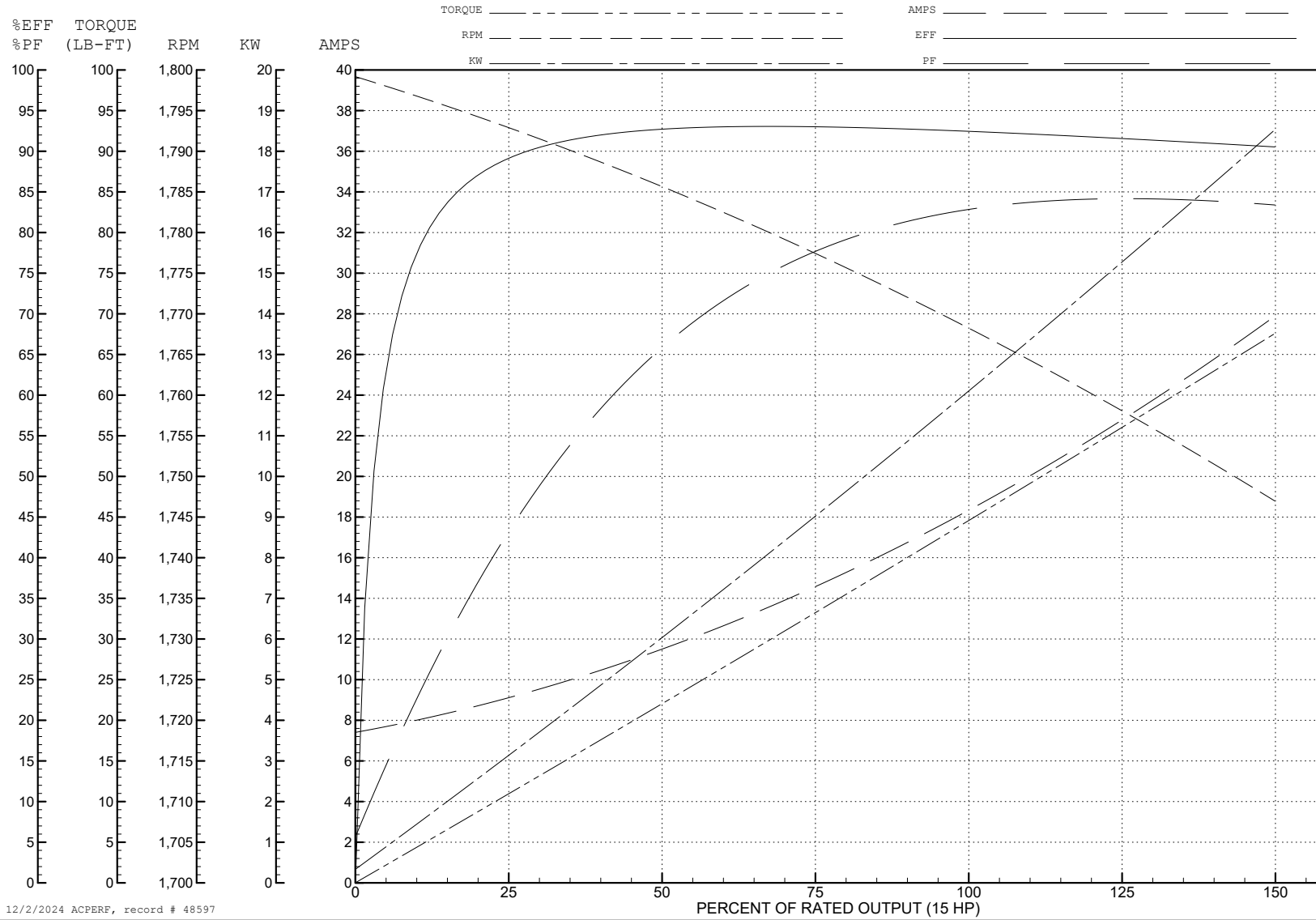
ABB Motors and Mechanical Inc.

WINDING # 09WGT152

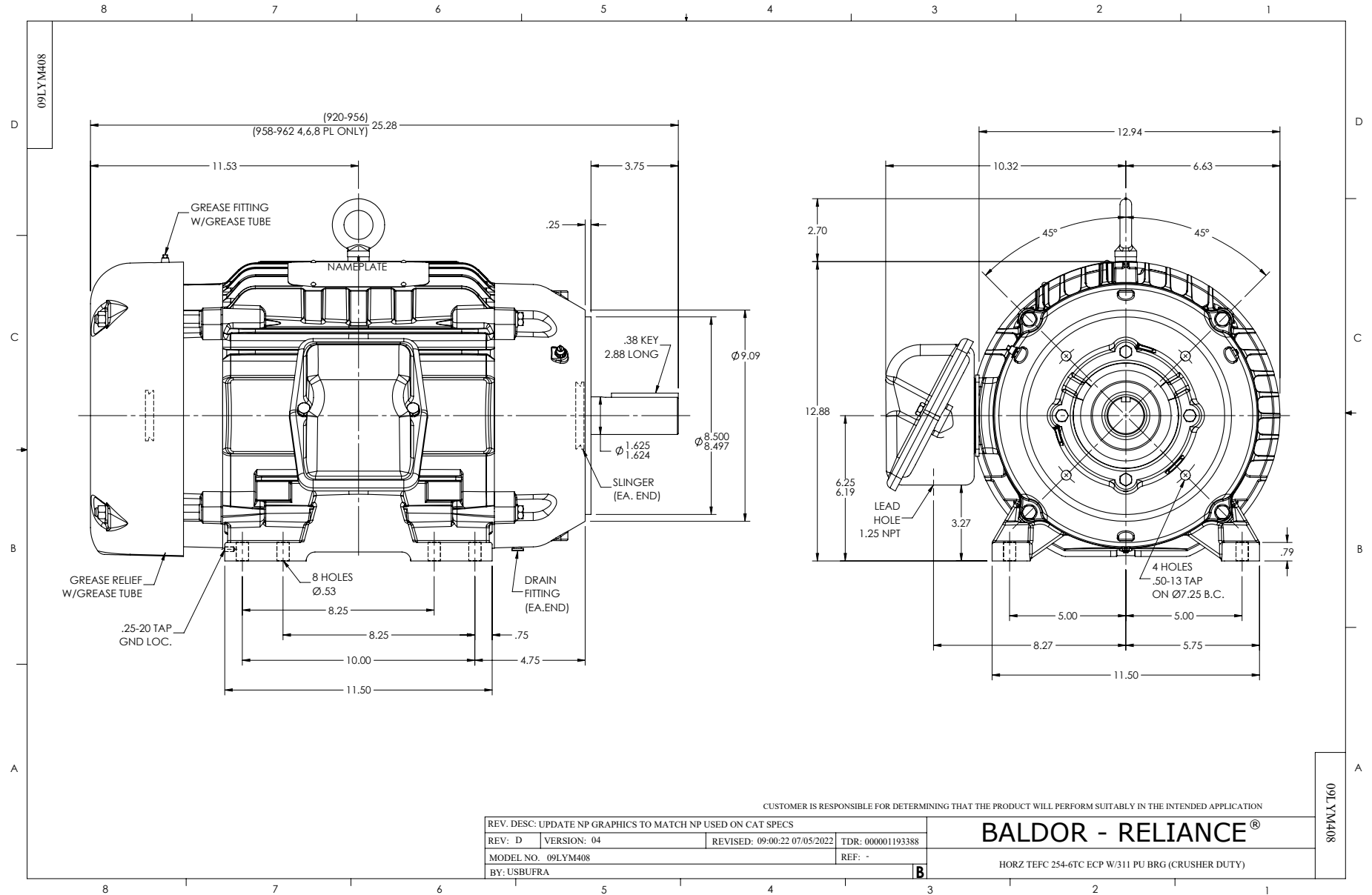
Typical performance - not guaranteed values.

15 HP 3 PH 60 HZ 1765 RPM 460 V 0948M

TORQUES (LB-FT): PO=145 PU=78.4 LR=119 LRA=120

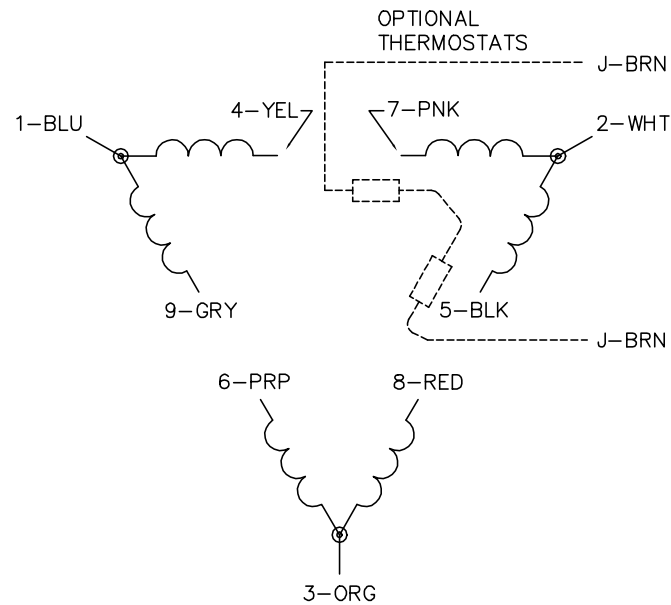


12/2/2024 ACPERF, record # 48597

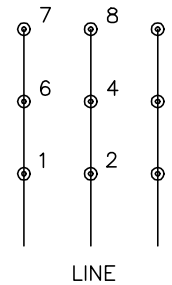




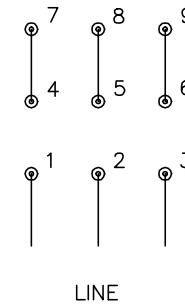
CD0180



LOW VOLTAGE  
(2D)



HIGH VOLTAGE  
(1D)



NOTES:

1. INTERCHANGE ANY TWO LINE LEADS TO REVERSE ROTATION.
2. OPTIONAL THERMOSTATS ARE PROVIDED WHEN SPECIFIED.
3. ACTUAL NUMBER OF INTERNAL PARALLEL CIRCUITS MAY BE A MULTIPLE OF THOSE SHOWN ABOVE.
4. LEAD COLORS ARE OPTIONAL. LEADS MUST ALWAYS BE NUMBERED AS SHOWN.

CD0180

REV. DESC: ADD CLASS CONN00000007		
REV. LTR: D	VERSION: 01	TDR: 000001099922
FILE: \AAA\00005\148	REVISED: 10: 25: 29 02/19/2019	BY: ENBRIRO
MTL: -	© □	

**BALDOR - RELIANCE®**

3PH, DV, 9 LEADS, DELTA CONNECTION

SH 1 of 1