

**BALDOR • RELIANCE**

---

# Customer information packet

## CECP84310T-4

60HP, 3560RPM, 3PH, 60HZ, 364TSC, A36056M, TEF

Class - CLI GP A,B,C,D

Division - Division II

## Specifications

Enclosure	TEFC
Frame	364TSC
Frame Material	Iron
Frequency	60.00 Hz
Haz Area Class and Group	CLI GP A,B,C,D
Haz Area Division	Division II
Motor Letter Type	Three Phase
Output @ Frequency	60.000 HP @ 60 HZ
Phase	3
Synchronous Speed @ Frequency	3600 RPM @ 60 HZ
Voltage @ Frequency	460.0 V @ 60 HZ
Agency Approvals	CCSAUSEEV NEMA PREMIUM NEMA_PREMIUM UR CCSA US
Ambient Temperature	40 °C
Auxillary Box	No Auxillary Box
Base Indicator	Rigid
Bearing Grease Type	Polyrex EM (-20F +300F)
Constant Torque Speed Range	0.7-60
Current @ Voltage	65.100 A @ 460.0 V
Design Code	B
Drip Cover	No Drip Cover
Duty Rating	CONT
Efficiency @ 100% Load	95.0 %
Enclosure Modification	841
Feedback Device	NO FEEDBACK
Haz Area Temp Code	T3
Heater Indicator	No Heater
High Voltage Full Load Amps	65.1 a
Insulation Class	F

## Part detail

Revision	K
Type	AC
Mech. spec.	
Base	
Status	PRD/A
Elec. spec.	A36WG0116
Layout	617428-621
Eff. date	02-20-2023
CD Diagram	416820-036
Poles	02
Leads	3#4
Proprietary	False
Created date	01-03-2019

<b>Inverter Code</b>	Inverter Duty
<b>IP Rating</b>	IP56
<b>KVA Code</b>	F
<b>Lifting Lugs</b>	No Lifting Lugs
<b>Max Speed</b>	4500 rpm
<b>Motor Lead Quantity/Wire Size</b>	3 @ 4 AWG
<b>Motor Standards</b>	NEMA
<b>Motor Type</b>	A36056M
<b>Mounting Arrangement</b>	F1
<b>No Load Current</b>	14.1 a
<b>Number of Poles</b>	2
<b>Overall Length</b>	31.36 IN
<b>Power Factor</b>	90
<b>Pulley End Bearing Type</b>	Ball
<b>Pulley Face Code</b>	C-Face
<b>Service Factor</b>	1.15
<b>Shaft Diameter</b>	1.875 IN
<b>Shaft Ground Indicator</b>	No Shaft Grounding
<b>Shaft Rotation</b>	Phase Seq-Std Rot (CCWODE)
<b>Shaft Slinger Indicator</b>	No Slinger
<b>Speed</b>	3560 rpm
<b>Speed Code</b>	Single Speed
<b>Starting Method</b>	Direct on line
<b>Thermal Device - Bearing</b>	None
<b>Thermal Device - Winding</b>	None

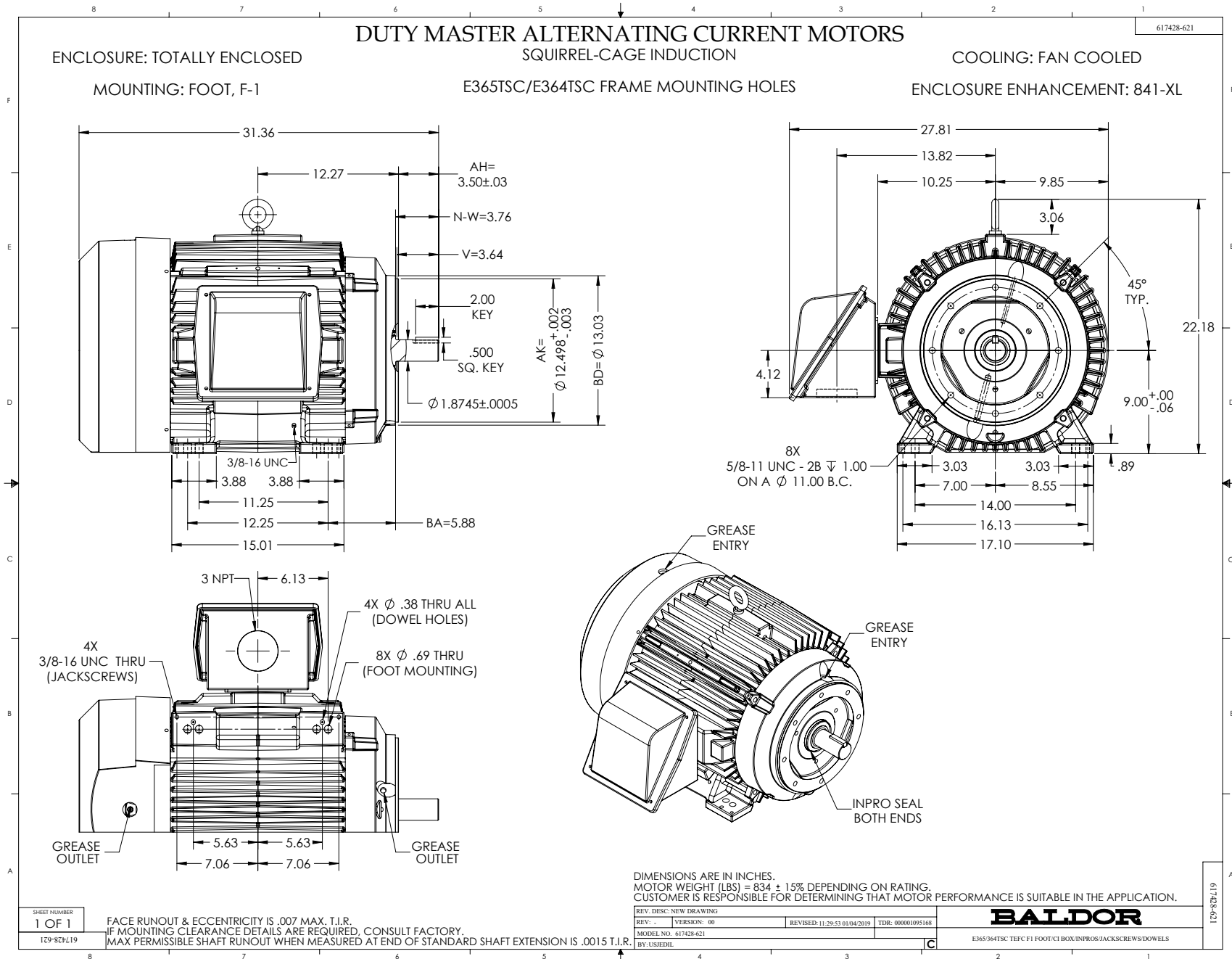
**Nameplate**

<b>NP4388</b>														
<b>CAT #</b>	CECP84310T-4					<b>FR</b>	364TSC			<b>IP56</b>				
<b>SPEC</b>	A36-5000-0116					<b>ENCL</b>	TEFC			<b>DES</b>	B			
<b>HZ</b>	60	<b>PH</b>	3	<b>CL</b>	F	<b>HP</b>	60	<b>SF</b>	1.15	<b>PF</b>	90	<b>%</b>	<b>CODE</b>	F
<b>VOLTS</b>	460					<b>AMPS</b>	65.1							
<b>RPM</b>	3560		<b>MAX RPM</b>	4500		<b>SER</b>								
<b>NEMA NOM. EFF</b>	95	<b>%</b>	<b>RATING</b>	40C AMB-CONT										
<b>GUAR MIN. EFF</b>	94.1	<b>%</b>	<b>BRG DE</b>	6313		<b>BRG ODE</b>	6313							
<b>CL I DIV 2 GRPS A,B,C,D</b>	<b>CL I ZONE 2 GRPS</b>					<b>IIA,IIB,IIC</b>			<b>TEMP T</b>	3-200		<b>C</b>		
<b>CT HZ</b>	0.7-60		<b>VT HZ</b>	0-60										
<b>CHP HZ</b>	60-75		<b>INV TEMP CL</b>	200		<b>C</b>								
									<b>MTR WT</b>	899		<b>LBS</b>		

**NP4333**

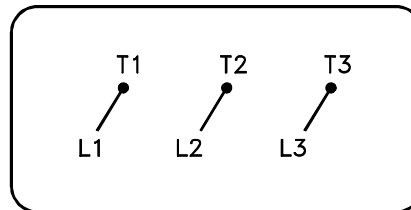
<b>CAT #</b>	CECP84310T-4	<b>ROTOR BARS</b>	38
<b>SPEC</b>	A36-5000-0116	<b>STATOR SLOTS</b>	48
<b>SER</b>		<b>MAX CORR KVAR</b>	5
<b>GREASE</b>	POLYREX EM		
<b>ABMA DE BRG</b>	65BC03J30X	<b>ODE</b>	65BC03J30X

<b>SPACE HEATER LEADS H1-H2:</b>	<b>TIE LIKE NUMBERS</b>	<b>TOGETHER</b>
<b>MAX. SPACE HEATER TEMP.</b>	C V	A W



416820-036

A-C MOTOR  
CONNECTION DIAGRAM  
STANDARD 3 LEAD CONNECTED



(N.P. 1575-BA)

416820-036

REV. DESC: LOADED TO BUS, C/R 335225		
REV. LTR: -	VERSION: 00	TDR: 000000538207
FILE: \MGA\00000\682	REVISED: 11:54:06 04/30/2010	
MTL: -	BY: RAGRA	

**BALDOR**

CONN DIAG - STANDARD 3 LEAD  
SH 1 of 1