

BALDOR • RELIANCE

Customer information packet

CECP84115T-4

50HP, 1770RPM, 3PH, 60HZ, 326TC, TEFC, F1

Class - CLI GP A,B,C,D

Division - Division II

Specifications

Enclosure	TEFC
Frame	326TC
Frame Material	Iron
Frequency	60.00 Hz
Haz Area Class and Group	CLI GP A,B,C,D
Haz Area Division	Division II
Motor Letter Type	Three Phase
Output @ Frequency	50.000 HP @ 60 HZ
Phase	3
Synchronous Speed @ Frequency	1800 RPM @ 60 HZ
Voltage @ Frequency	460.0 V @ 60 HZ
Agency Approvals	CCSA US CSA EEV NEMA PREMIUM NEMA_PREMIUM UR
Ambient Temperature	40 °C
Auxiliary Box	NO AUXILLARY BOX
Auxiliary Box Lead Termination	None
Base Indicator	Rigid
Bearing Grease Type	Polyrex EM (-20F +300F)
Blower	None
Constant Torque Speed Range	1
Current @ Voltage	57.000 A @ 460.0 V
Design Code	B
Drip Cover	No Drip Cover
Duty Rating	CONT
Efficiency @ 100% Load	94.5 %
Electrically Isolated Bearing	Not Electrically Isolated
Enclosure Modification	841
Feedback Device	NO FEEDBACK
Haz Area Temp Code	T3

Part detail

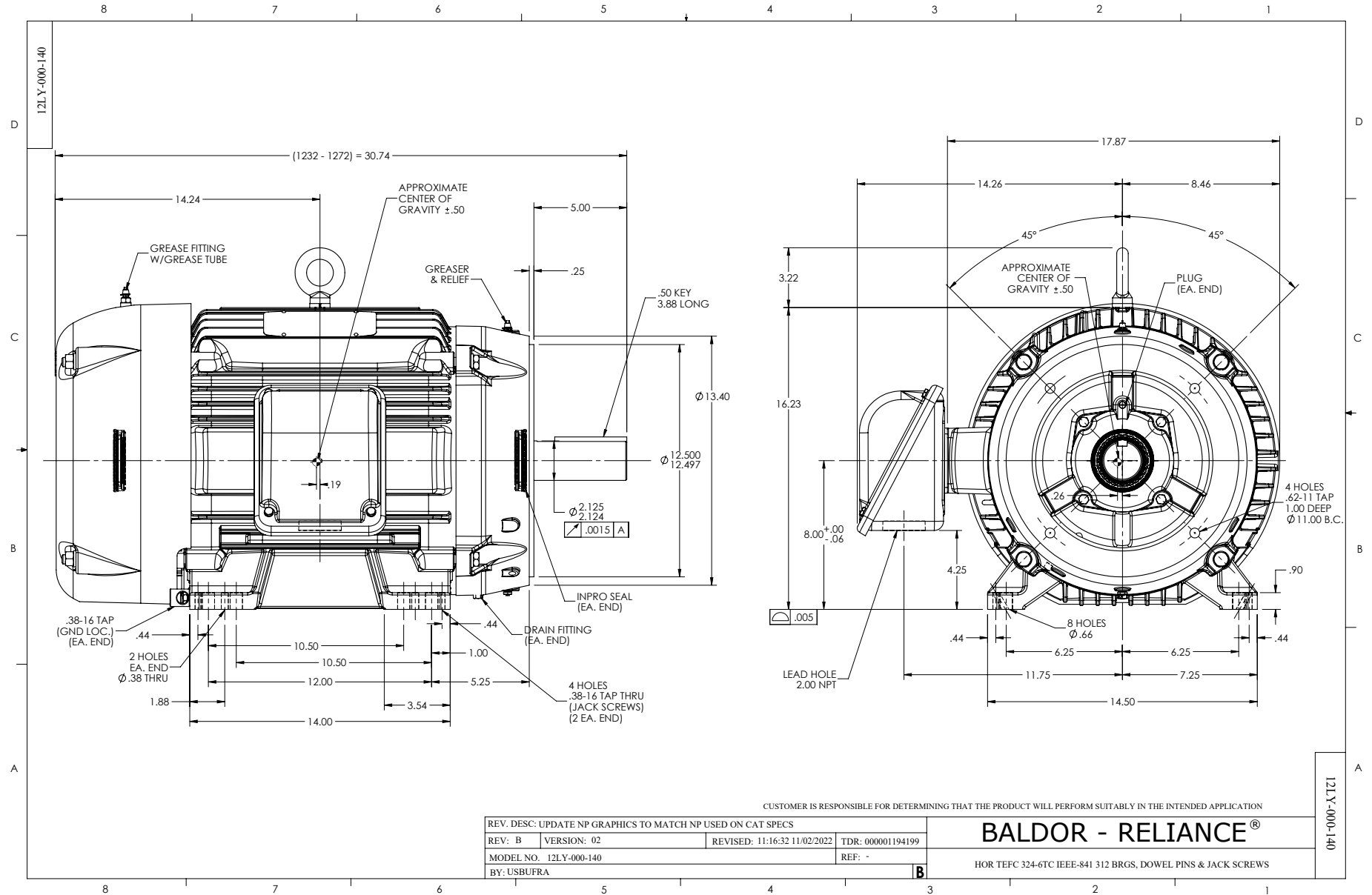
Revision	H
Type	AC
Mech. spec.	
Base	
Status	PRD/A
Elec. spec.	12WGX731
Layout	12LY-000-140
Eff. date	11-03-2025
CD Diagram	CD0006
Poles	04
Leads	3#8
Proprietary	False
Created date	01-15-2019

Heater Indicator	No Heater
High Voltage Full Load Amps	57.0 a
Insulation Class	F
Inverter Code	Inverter Duty
IP Rating	IP56
KVA Code	G
Lifting Lugs	Standard Lifting Lugs
Locked Bearing Indicator	Locked Bearing
Max Speed	2700 rpm
Motor Lead Termination	Ring Terminals
Motor Standards	NEMA
Motor Type	1272M
Mounting Arrangement	F1
Number of Poles	4
Overall Length	30.74 IN
Power Factor	87
Product Family	Chem Process S/P 32-8 IEEE 841
Pulley Face Code	C-Face
Rodent Screen	None
Service Factor	1.15
Shaft Diameter	2.125 IN
Shaft Ground Indicator	No Shaft Grounding
Shaft Rotation	Reversible
Speed	1770 rpm
Speed Code	Single Speed
Starting Method	Direct on line
Thermal Device - Bearing	None
Thermal Device - Winding	None
Vibration Sensor Indicator	No Vibration Sensor
Winding Thermal 1	None
Winding Thermal 2	None

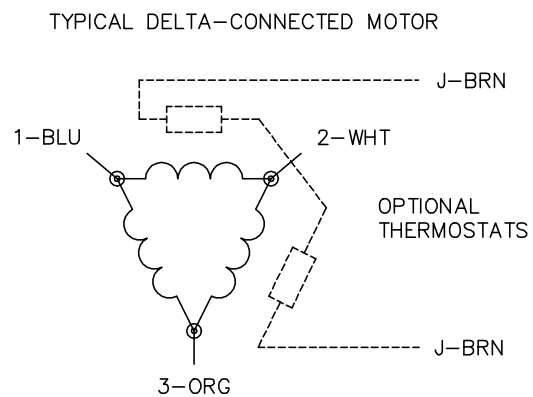
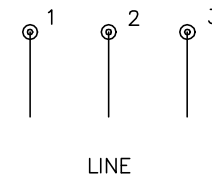
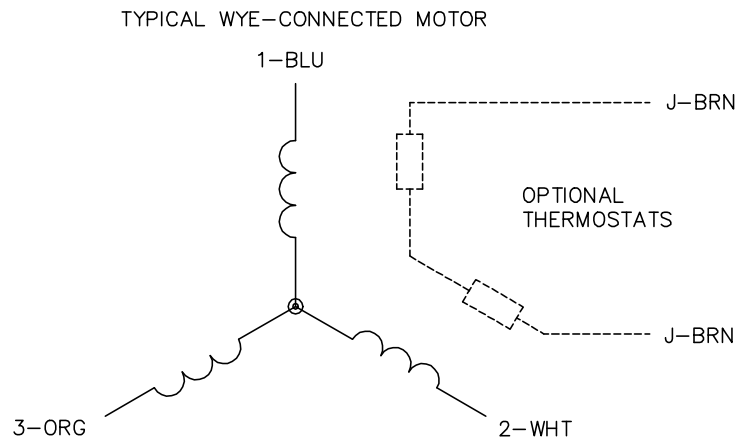
Nameplate

NP4332

CAT.NO.	CECP84115T-4	P/N		ENCLOSURE	TEFC
SPEC.	12-0000-0420	CC	010A	FRAME	326TC
HP	50	CLASS	F	HZ	60
RPM	1770	RPM MAX	2700	ODE BRG	6312
VOLT	460	PH	3	DES	B
AMP	57	DE BRG		D.E. BRG.	60BC03X30X
RATING	40C AMB-CONT	KVA-CODE	G	O.D.E. BRG.	60BC03X30X
NEMA-NOM-EFF	94.5	MOTOR WEIGHT	683	GREASE	POLYREX EM
G.MIN.EFF	93.6	MAX. KVAR	9.4	BLANK	
TEMP CODE	T3	# OF ROTOR BARS	40	SER.F.	1.15
TEMP =	200	# OF STATOR SLOTS	48	IP	56
CT HZ FROM	1	PF	87	INV.TYPE	PWM
HTR-VOLTS		INVERTER-TEMP-CODE	200		
HTR-AMPS		C HP FR	60	C HP TO	90
HTR-WATTS		CT HZ TO	60		
MAX. SPACE HEATER TEMP.				VT HZ FROM	0-
				VT HZ TO	60



CD0006



NOTES:

1. THREE LEAD MOTOR MAY BE EITHER WYE CONNECTED OR DELTA CONNECTED.
2. INTERCHANGE ANY TWO LINE LEADS TO REVERSE ROTATION.
3. OPTIONAL THERMOSTATS ARE PROVIDED WHEN SPECIFIED.
4. ACTUAL NUMBER OF INTERNAL PARALLEL CIRCUITS MAY VARY.
5. LEAD COLORS ARE OPTIONAL. LEADS MUST BE NUMBERED AS SHOWN.

CD0006

REV. DESC: ADD CLASS CONN00000007		
REV. LTR: E	VERSION: 01	TDR: 000001099922
FILE: \AAA\00005\141	REVISED: 10: 24: 49 02/19/2019	BY: ENBRIRO
MTL: -	© □	

BALDOR - RELIANCE®

3PH, SV, 3 LEADS, WYE OR DELTA CONNECTED

SH 1 of 1