



---

# Customer information packet

## CECP84106T-4

20HP, 3510RPM, 3PH, 60HZ, 256TC, TEFC, F1

Class - CLI GP A,B,C,D

Division - Division II

## Specifications

Enclosure	TEFC
Frame	256TC
Frame Material	Iron
Frequency	60.00 Hz
Haz Area Class and Group	CL I GP A,B,C,D
Haz Area Division	Division II
Motor Letter Type	Three Phase
Output @ Frequency	20.000 HP @ 60 HZ
Phase	3
Synchronous Speed @ Frequency	3600 RPM @ 60 HZ
Voltage @ Frequency	460.0 V @ 60 HZ
Agency Approvals	CCSA US CSA EEV NEMA PREMIUM NEMA_PREMIUM UR
Ambient Temperature	40 °C
Auxillary Box	No Auxillary Box
Auxillary Box Lead Termination	None
Base Indicator	Rigid
Bearing Grease Type	Polyrex EM (-20F +300F)
Blower	None
Constant Torque Speed Range	1.5
Current @ Voltage	50.000 A @ 208.0 V 22.000 A @ 460.0 V
Design Code	B
Drip Cover	No Drip Cover
Duty Rating	CONT
Efficiency @ 100% Load	91.0 %
Electrically Isolated Bearing	Not Electrically Isolated
Enclosure Modification	841
Feedback Device	NO FEEDBACK

## Part detail

Revision	K
Type	AC
Mech. spec.	
Base	
Status	PRD/A
Elec. spec.	09WGT034
Layout	09LY-000-404
Eff. date	11-14-2023
CD Diagram	CD0006
Poles	02
Leads	3#12
Proprietary	False
Created date	01-27-2019

Haz Area Temp Code	T3
Heater Indicator	No Heater
High Voltage Full Load Amps	22.0 a
Insulation Class	F
Inverter Code	Inverter Duty
IP Rating	IP56
KVA Code	G
Lifting Lugs	Standard Lifting Lugs
Locked Bearing Indicator	Locked Bearing
Max Speed	5400 rpm
Motor Lead Termination	Ring Terminals
Motor Standards	NEMA
Motor Type	0954M
Mounting Arrangement	F1
Number of Poles	2
Overall Length	25.28 IN
Power Factor	91
Product Family	Chem Process S/P 32-8 IEEE 841
Pulley Face Code	C-Face
Rodent Screen	None
Service Factor	1.15
Shaft Diameter	1.625 IN
Shaft Ground Indicator	No Shaft Grounding
Shaft Rotation	Reversible
Speed	3510 rpm
Speed Code	Single Speed
Starting Method	Direct on line
Thermal Device - Bearing	None
Thermal Device - Winding	None
Vibration Sensor Indicator	No Vibration Sensor
Winding Thermal 1	None
Winding Thermal 2	None

**Nameplate**

**NP4332**

<b>STK.NO.</b>	CECP84106T-4	<b>P/N</b>		<b>ENCLOSURE</b>	TEFC
<b>SPEC.</b>	09-0000-0981	<b>CC</b>	010A	<b>FRAME</b>	256TC
<b>HP</b>	20	<b>CLASS</b>	F	<b>HZ</b>	60
<b>RPM</b>	3510	<b>RPM MAX</b>	5400	<b>ODE BRG</b>	6309
<b>VOLT</b>	460	<b>PH</b>	3	<b>DE BRG</b>	6309
<b>AMP</b>	22	<b>DES</b>	B	<b>D.E. BRG.</b>	45BC03X30X
<b>RATING</b>	40C AMB-CONT	<b>PH</b>	3	<b>D.E. BRG.</b>	45BC03X30X
<b>NEMA-NOM-EFF</b>	91	<b>KVA-CODE</b>	G	<b>O.D.E. BRG.</b>	45BC03X30X
<b>G.MIN.EFF</b>	89.5	<b>MOTOR WEIGHT</b>	328	<b>GREASE</b>	POLYREX EM
<b>TEMP CODE</b>	T3	<b>MAX. KVAR</b>	2	<b>BLANK</b>	
<b>TEMP =</b>	200	<b># OF ROTOR BARS</b>	28	<b>SER.F.</b>	1.15
<b>CT HZ FROM</b>	1.5	<b># OF STATOR SLOTS</b>	36	<b>IP</b>	56
<b>HTR-VOLTS</b>		<b>PF</b>	91	<b>INV.TYPE</b>	PWM
<b>HTR-AMPS</b>		<b>INVERTER-TEMP-CODE</b>	200		
<b>HTR-WATTS</b>		<b>C HP FR</b>	60	<b>C HP TO</b>	90
<b>MAX. SPACE HEATER TEMP.</b>		<b>CT HZ TO</b>	60		
<b>VT HZ FROM</b>	0-			<b>VT HZ TO</b>	60

**AC Induction Motor Performance Data**

Record # 46537

Typical performance - not guaranteed values

Winding: 09WGT034-R003		Type: 0954M	Enclosure: TEFC	
<b>Nameplate Data</b>			<b>460 V, 60 Hz: Single Voltage Motor</b>	
Rated Output (HP)	20	Full Load Torque	30.1 LB-FT	
Volts	460	Start Configuration	direct on line	
Full Load Amps	22	Breakdown Torque	101 LB-FT	
R.P.M.	3510	Pull-up Torque	33.7 LB-FT	
Hz	60	Locked-rotor Torque	43.9 LB-FT	
NEMA Design Code	B	Starting Current	145 A	
Service Factor (S.F.)	1.15	No-load Current	4.81 A	
NEMA Nom. Eff.	91	Line-line Res. @ 25°C	0.45009 Ω	
Rating - Duty	40C AMB-CONT	Temp. Rise @ Rated Load	68°C	
S.F. Amps		Temp. Rise @ S.F. Load	87°C	
		Locked-rotor Power Factor	27	
		Rotor inertia	1.38 LB-FT <sup>2</sup>	

**Load Characteristics 460 V, 60 Hz, 20 HP**

% of Rated Load	25	50	75	100	125	150	S.F.
Power Factor	72	87	91	91	92	92	92
Efficiency	91.4	93.3	93	92	90.6	88.9	91.2
Speed	3579.7	3560.2	3538.1	3514.3	3486.6	3454.4	3498
Line amperes	7.42	11.8	16.7	22.4	28.4	34.7	26

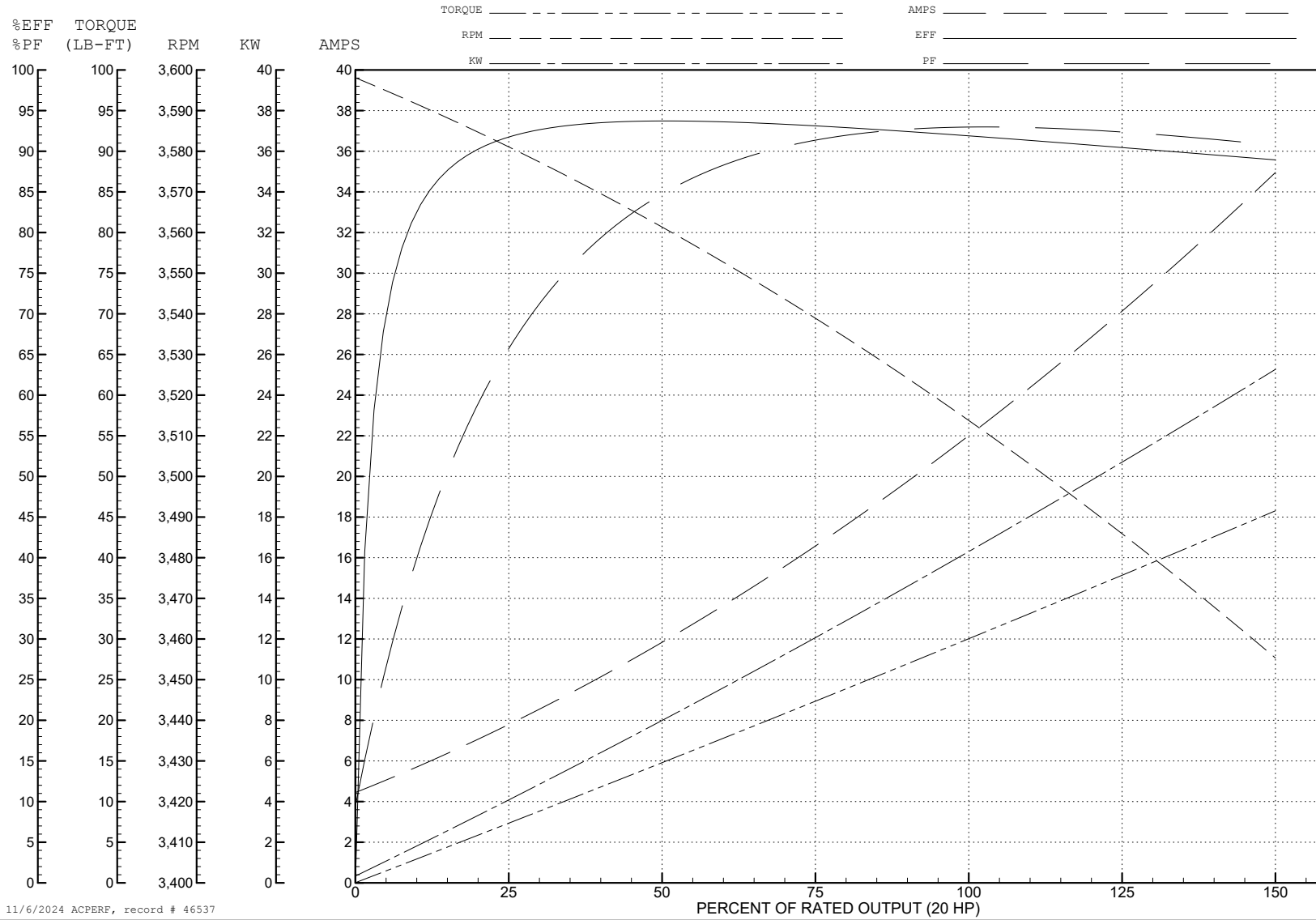
ABB Motors and Mechanical Inc.

WINDING # 09WGT034

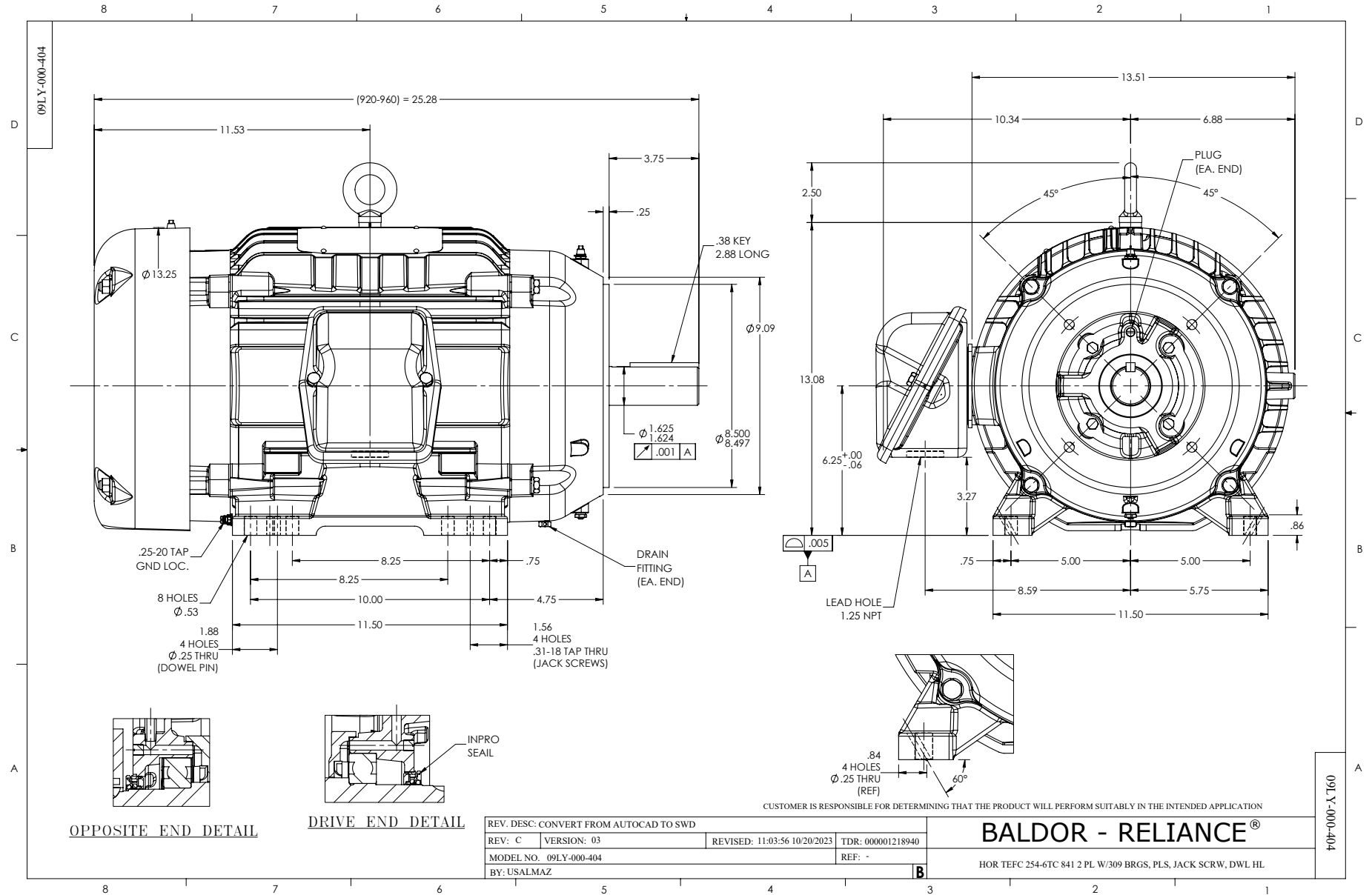
20 HP 3 PH 60 HZ 3510 RPM 460 V 0954M

Typical performance - not guaranteed values.

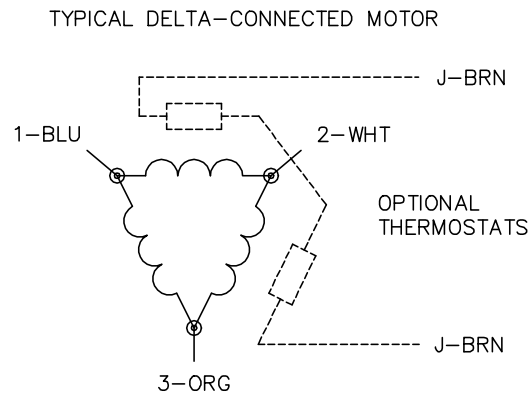
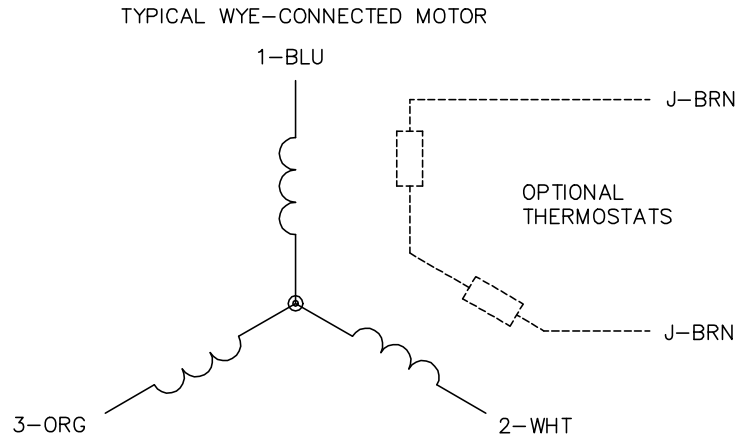
TORQUES (LB-FT): PO=101 PU=33.7 LR=43.9 LRA=145



11/6/2024 ACPERF, record # 46537



CD0006



NOTES:

1. THREE LEAD MOTOR MAY BE EITHER WYE CONNECTED OR DELTA CONNECTED.
2. INTERCHANGE ANY TWO LINE LEADS TO REVERSE ROTATION.
3. OPTIONAL THERMOSTATS ARE PROVIDED WHEN SPECIFIED.
4. ACTUAL NUMBER OF INTERNAL PARALLEL CIRCUITS MAY VARY.
5. LEAD COLORS ARE OPTIONAL. LEADS MUST BE NUMBERED AS SHOWN.

CD0006

REV. DESC: ADD CLASS CONN00000007		
REV. LTR: E	VERSION: 01	TDR: 000001099922
FILE: \AAA\00005\141	REVISED: 10:24:49 02/19/2019	BY: ENBRIRO
MTL: -	© □	

**BALDOR - RELIANCE®**

3PH, SV, 3 LEADS, WYE OR DELTA CONNECTED

SH 1 of 1