

ABB BALDOR RELIANCE III

Customer information packet

CECP84103T-4

25HP, 1770RPM, 3PH, 60HZ, 284TC, 1056M, TEFC, F

Class - CLI GP A,B,C,D

Division - Division II

Specifications

Enclosure	TEFC
Frame	284TC
Frame Material	Iron
Frequency	60.00 Hz
Haz Area Class and Group	CLI GP A,B,C,D
Haz Area Division	Division II
Motor Letter Type	Three Phase
Output @ Frequency	25.000 HP @ 60 HZ
Phase	3
Synchronous Speed @ Frequency	1800 RPM @ 60 HZ
Voltage @ Frequency	460.0 V @ 60 HZ
Agency Approvals	CCSA US CSA EEV NEMA PREMIUM NEMA_PREMIUM UR
Ambient Temperature	40 °C
Auxiliary Box	NO AUXILLARY BOX
Auxiliary Box Lead Termination	None
Base Indicator	Rigid
Bearing Grease Type	Polyrex EM (-20F +300F)
Blower	None
Constant Torque Speed Range	1
Current @ Voltage	30.000 A @ 460.0 V
Design Code	B
Drip Cover	No Drip Cover
Duty Rating	CONT
Efficiency @ 100% Load	93.6 %
Electrically Isolated Bearing	Not Electrically Isolated
Enclosure Modification	841
Feedback Device	NO FEEDBACK
Haz Area Temp Code	T3C

Part Detail

Revision	J
Type	AC
Mech. spec.	
Base	
Status	PRD/A
Elec. spec.	10WGZ580
Layout	10LY-000-170
Eff. date	09-26-2025
CD Diagram	CD0006
Poles	04
Leads	3#10
Proprietary	False
Created date	01-23-2019

Heater Indicator	No Heater
High Voltage Full Load Amps	30.0 a
Insulation Class	F
Inverter Code	Inverter Duty
IP Rating	IP56
KVA Code	F
Lifting Lugs	Standard Lifting Lugs
Locked Bearing Indicator	Locked Bearing
Max Speed	2700 rpm
Motor Lead Termination	Ring Terminals
Motor Standards	NEMA
Motor Type	1056M
Mounting Arrangement	F1
Number of Poles	4
Overall Length	28.00 IN
Power Factor	85
Product Family	Chem Process S/P 32-8 IEEE 841
Pulley Face Code	C-Face
Rodent Screen	None
Service Factor	1.15
Shaft Diameter	1.875 IN
Shaft Ground Indicator	No Shaft Grounding
Shaft Rotation	Reversible
Speed	1770 rpm
Speed Code	Single Speed
Starting Method	Direct on line
Thermal Device - Bearing	None
Thermal Device - Winding	None
Vibration Sensor Indicator	No Vibration Sensor
Winding Thermal 1	None
Winding Thermal 2	None

Nameplate

NP4332

CAT.NO.	CECP84103T-4		P/N			ENCLOSURE	TEFC				
SPEC.	10-0000-0471		CC	010A	FRAME	284TC	S/N				
HP	25		CLASS	F	HZ	60	ODE BRG	6311	DE BRG	6311	
RPM	1770	RPM MAX	2700	PH	3	DES	B	D.E. BRG.	55BC03X30X		
VOLT	460		KVA-CODE	F		O.D.E. BRG.	55BC03X30X				
AMP	30		MOTOR WEIGHT	430		GREASE	POLYREX EM				
RATING	40C AMB-CONT		MAX. KVAR	5.9		BLANK					
NEMA-NOM-EFF	93.6	# OF ROTOR BARS	40	SER.F.	1.15	IP	56				
G.MIN.EFF	92.4	# OF STATOR SLOTS	48	PF	85	INV.TYPE	PWM				
TEMP CODE	T3C		INVERTER-TEMP-CODE	180							
TEMP =	160	C HP FR	60	C HP TO	90						
CT HZ FROM	1	CT HZ TO	60								
HTR-VOLTS		HTR-AMPS		HTR-WATTS		MAX. SPACE HEATER TEMP.		VT HZ FROM	0-	VT HZ TO	60

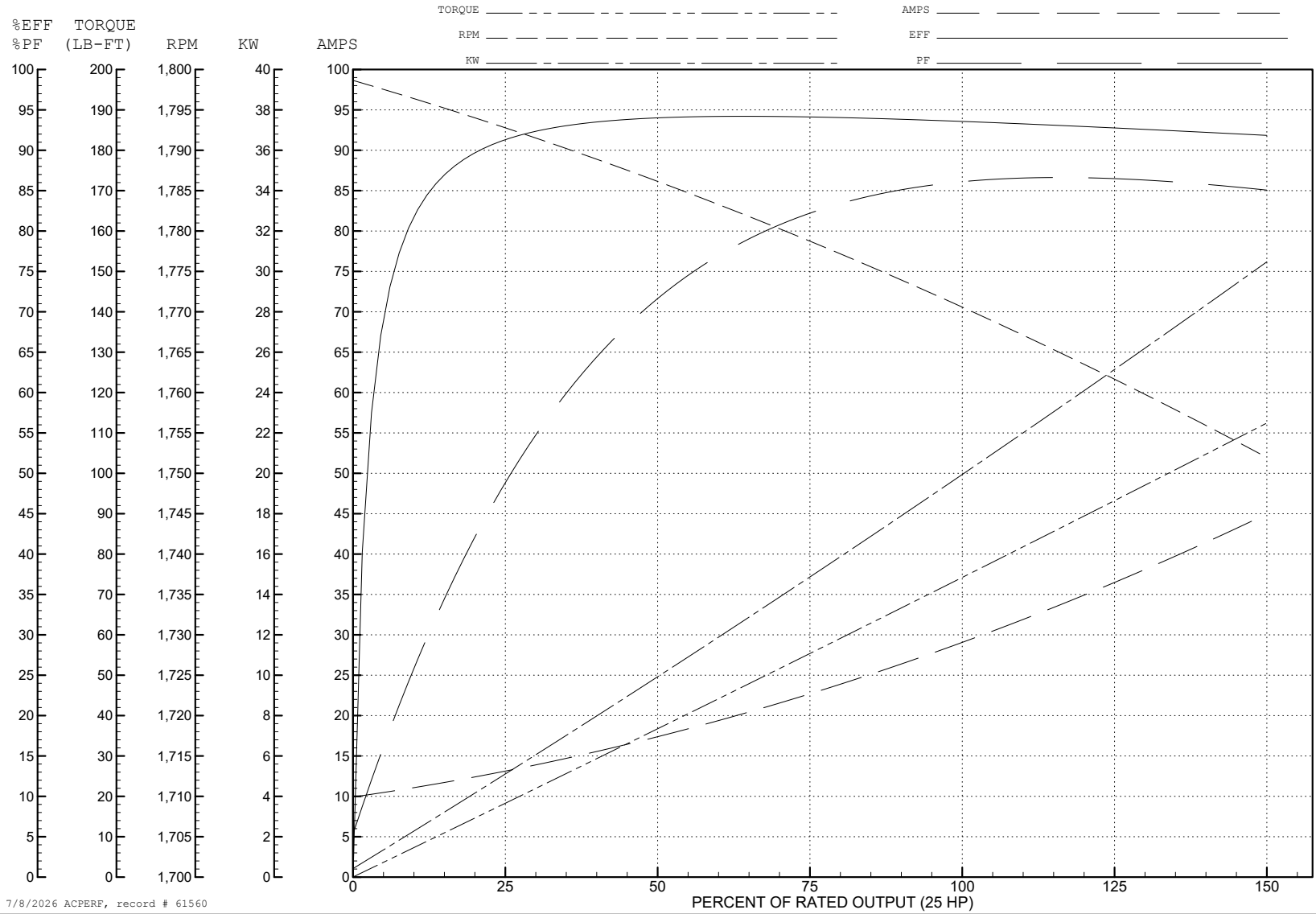
ABB Motors and Mechanical Inc.

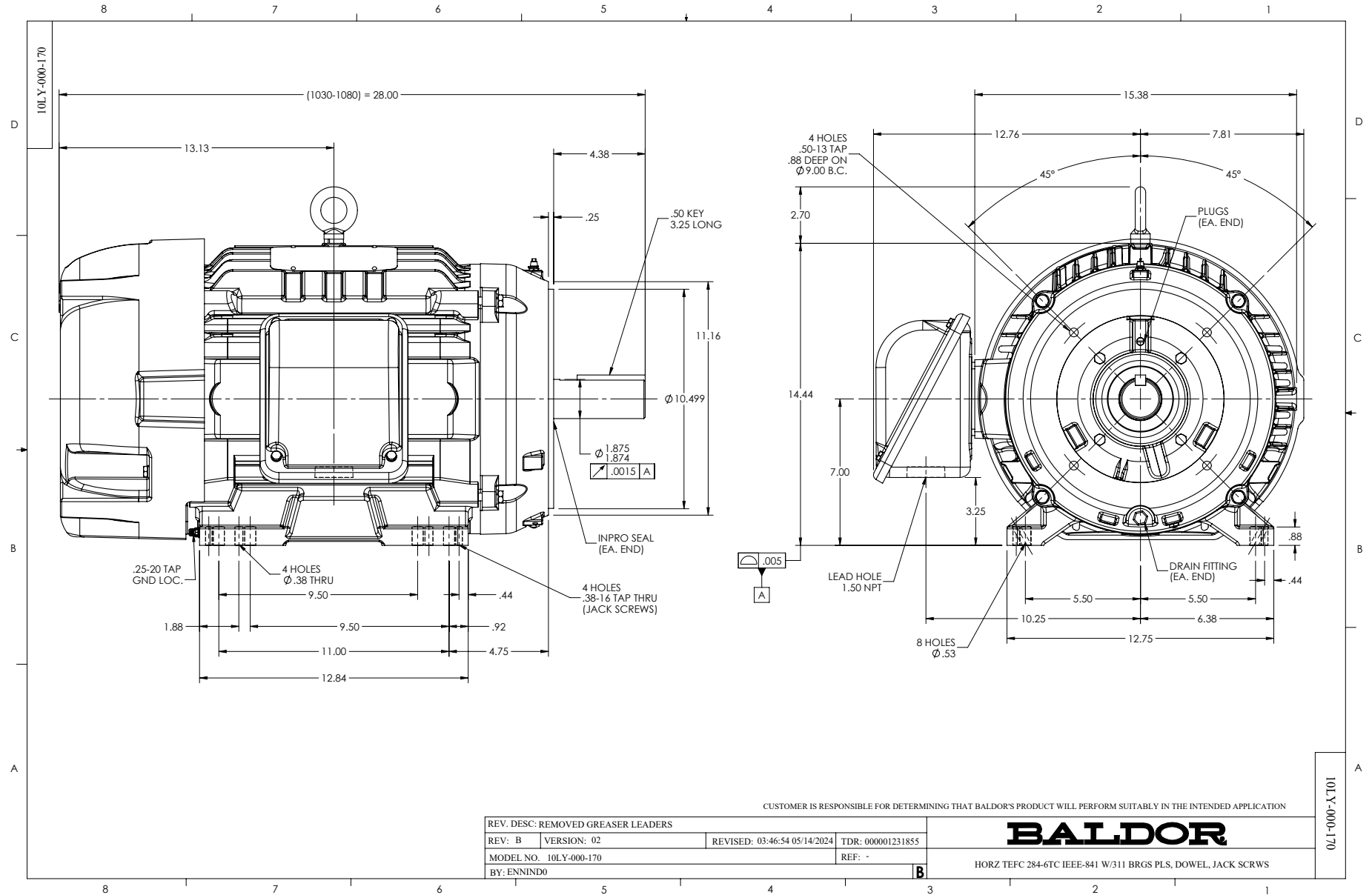
WINDING # 10WGZ580

Typical performance - not guaranteed values.

25 HP 3 PH 60 HZ 1770 RPM 460 V 1056M

TORQUES (LB-FT): PO=197 PU=91.4 LR=115 LRA=173





CD0006



NOTES:

1. THREE LEAD MOTOR MAY BE EITHER WYE CONNECTED OR DELTA CONNECTED.
2. INTERCHANGE ANY TWO LINE LEADS TO REVERSE ROTATION.
3. OPTIONAL THERMOSTATS ARE PROVIDED WHEN SPECIFIED.
4. ACTUAL NUMBER OF INTERNAL PARALLEL CIRCUITS MAY VARY.
5. LEAD COLORS ARE OPTIONAL. LEADS MUST BE NUMBERED AS SHOWN.

CD0006

REV. DESC: ADD CLASS CONN00000007		
REV. LTR: E	VERSION: 01	TDR: 000001099922
FILE: \AAA\00005\141	REVISED: 10: 24: 49 02/19/2019	BY: ENBRIRO
MTL: -		© □

BALDOR - RELIANCE®

3PH, SV, 3 LEADS, WYE OR DELTA CONNECTED

SH 1 of 1