

**BALDOR • RELIANCE**

---

# Customer information packet

## CECP83770T-5

7.5HP, 1765RPM, 3PH, 60HZ, 213TC, 0740M, TEFC

Class - CLI GP A,B,C,D

Division - Division II

Copyright © All product information within this document is subject to ABB Motors and Mechanical Inc. copyright © protection, unless otherwise noted.

10/4/2024 3:15:11 PM

## Specifications

Enclosure	TEFC
Frame	213TC
Frame Material	Iron
Frequency	60.00 Hz
Haz Area Class and Group	CLI GP A,B,C,D
Haz Area Division	Division II
Motor Letter Type	Three Phase
Output @ Frequency	7.520 HP @ 60 HZ
Phase	3
Synchronous Speed @ Frequency	1800 RPM @ 60 HZ
Voltage @ Frequency	575.0 V @ 60 HZ
Agency Approvals	CSA EEV NEMA PREMIUM NEMA_PREMIUM UR CCSA US
Ambient Temperature	40 °C
Auxillary Box	No Auxillary Box
Auxillary Box Lead Termination	None
Base Indicator	Rigid
Bearing Grease Type	Polyrex EM (-20F +300F)
Blower	None
Constant Torque Speed Range	1.2
Current @ Voltage	7.520 A @ 575.0 V
Design Code	B
Drip Cover	No Drip Cover
Duty Rating	CONT
Efficiency @ 100% Load	91.7 %
Electrically Isolated Bearing	Not Electrically Isolated
Enclosure Modification	841
Feedback Device	NO FEEDBACK
Front Face Code	Standard

## Part detail

Revision	AE
Type	AC
Mech. spec.	07M320
Base	
Status	PRD/A
Elec. spec.	07WGX614
Layout	07LYM320
Eff. date	04-16-2024
CD Diagram	CD0006
Poles	04
Leads	3#14
Proprietary	False
Created date	08-21-2012

Front Shaft Indicator	None
Haz Area Temp Code	T3C
Heater Indicator	No Heater
High Voltage Full Load Amps	7.5 a
Insulation Class	F
Inverter Code	Inverter Duty
KVA Code	H
Lifting Lugs	Standard Lifting Lugs
Locked Bearing Indicator	Locked Bearing
Max Speed	2700 rpm
Motor Lead Exit	Ko Box
Motor Lead Quantity/Wire Size	3 @ 14 AWG
Motor Lead Termination	Ring Terminals
Motor Standards	NEMA
Motor Type	0740M
Mounting Arrangement	F1
Number of Poles	4
Overall Length	20.23 IN
Power Factor	81
Product Family	Chem Process S/P 32-8 IEEE 841
Pulley End Bearing Type	Ball
Pulley Face Code	C-Face
Pulley Shaft Indicator	Standard
Rodent Screen	None
RoHS Status	ROHS COMPLIANT
Service Factor	1.15
Shaft Diameter	1.375 IN
Shaft Extension Location	Pulley End
Shaft Ground Indicator	No Shaft Grounding
Shaft Rotation	Reversible
Shaft Slinger Indicator	Shaft Slinger
Speed	1765 rpm
Speed Code	Single Speed
Starting Method	Direct on line

<b>Thermal Device - Bearing</b>	None
<b>Thermal Device - Winding</b>	None
<b>Vibration Sensor Indicator</b>	No Vibration Sensor
<b>Winding Thermal 1</b>	None
<b>Winding Thermal 2</b>	None

**Nameplate**

**NP4328**

<b>CAT.NO.</b>	CECP83770T-5					
<b>SPEC.</b>	07M320X614G1					
<b>HP</b>	7.5 TE	<b>IP</b>	56			
<b>VOLTS</b>	575					
<b>AMPS</b>	7.52					
<b>R.P.M.</b>	1765					
<b>FRAME</b>	213TC	<b>HZ</b>	60	<b>PH</b>	3	
<b>SER.F.</b>	1.15	<b>CODE</b>	H	<b>DES.</b>	B	<b>CLASS</b> F
<b>RATING</b>	40C AMB-CONT					
<b>SN</b>						
<b>DE</b>	6307	<b>ODE</b>	6307			
<b>NEMA NOM. EFF.</b>	91.7	<b>P.F.</b>	81			
<b>GUAR. MIN. EFF.</b>	90.2	<b>CC</b>	010A			
<b>T. CODE</b>	T3C	<b>TEMP=</b>	160			

**NP3186**

<b>SPEC.</b>	07M320X614G1		
<b>ABMA DE BRG</b>	35BC03X30X		
<b>ABMA ODE BRG</b>	35BC03X30X		
<b>GREASE</b>	POLYREX EM		
<b>MOTOR WEIGHT</b>	211	<b>ROTOR BARS</b>	28
		<b>STATOR BARS</b>	36
<b>MAX. R.P.M.</b>	2700	<b>MAX. KVAR</b>	1.5
<b>INV.TYPE</b>	PWM		
<b>T=</b>	160		
<b>CHP</b>	60	<b>TO</b>	90
<b>CT</b>	1.2	<b>TO</b>	60
<b>VT</b>	-0	<b>TO</b>	60
<b>HTR-VOLTS</b>	N/A	<b>HTR-AMPS</b>	N/A
<b>HTR-WATTS</b>	N/A	<b>MAX. SPACE HEATER TEMP.</b>	N/A

**AC Induction Motor Performance Data**

Record # 92345

Typical performance - not guaranteed values

Winding: 07WGX614-R013		Type: 0740M		Enclosure: TEFC			
<b>Nameplate Data</b>			<b>575 V, 60 Hz: Single Voltage Motor</b>				
Rated Output (HP)	7.5	Full Load Torque	22.21 LB-FT				
Volts	575	Start Configuration	direct on line				
Full Load Amps	7.6	Breakdown Torque	62.26 LB-FT				
R.P.M.	1765	Pull-up Torque	33.88 LB-FT				
Hz	60 Phase	3	Locked-rotor Torque	41.28 LB-FT			
NEMA Design Code	B	KVA Code	H	Starting Current	50.8 A		
Service Factor (S.F.)	1.15		No-load Current	2.96 A			
NEMA Nom. Eff.	91.7	Power Factor	81	Line-line Res. @ 25°C	2.3 Ω		
Rating - Duty	40C AMB-CONT		Temp. Rise @ Rated Load	46°C			
S.F. Amps			Temp. Rise @ S.F. Load	57°C			
			Locked-rotor Power Factor	36.5			
			Rotor inertia	0.984 lb-ft <sup>2</sup>			

**Load Characteristics 575 V, 60 Hz, 7.5 HP**

% of Rated Load	25	50	75	100	125	150	S.F.
Power Factor	46	68	77	81	83	84	81
Efficiency	88.6	91.7	91.9	91.7	91	89.1	91.4
Speed	1791	1783	1774	1765	1755	1743	1758
Line amperes	3.42	4.47	5.85	7.52	9.35	11.35	8.68

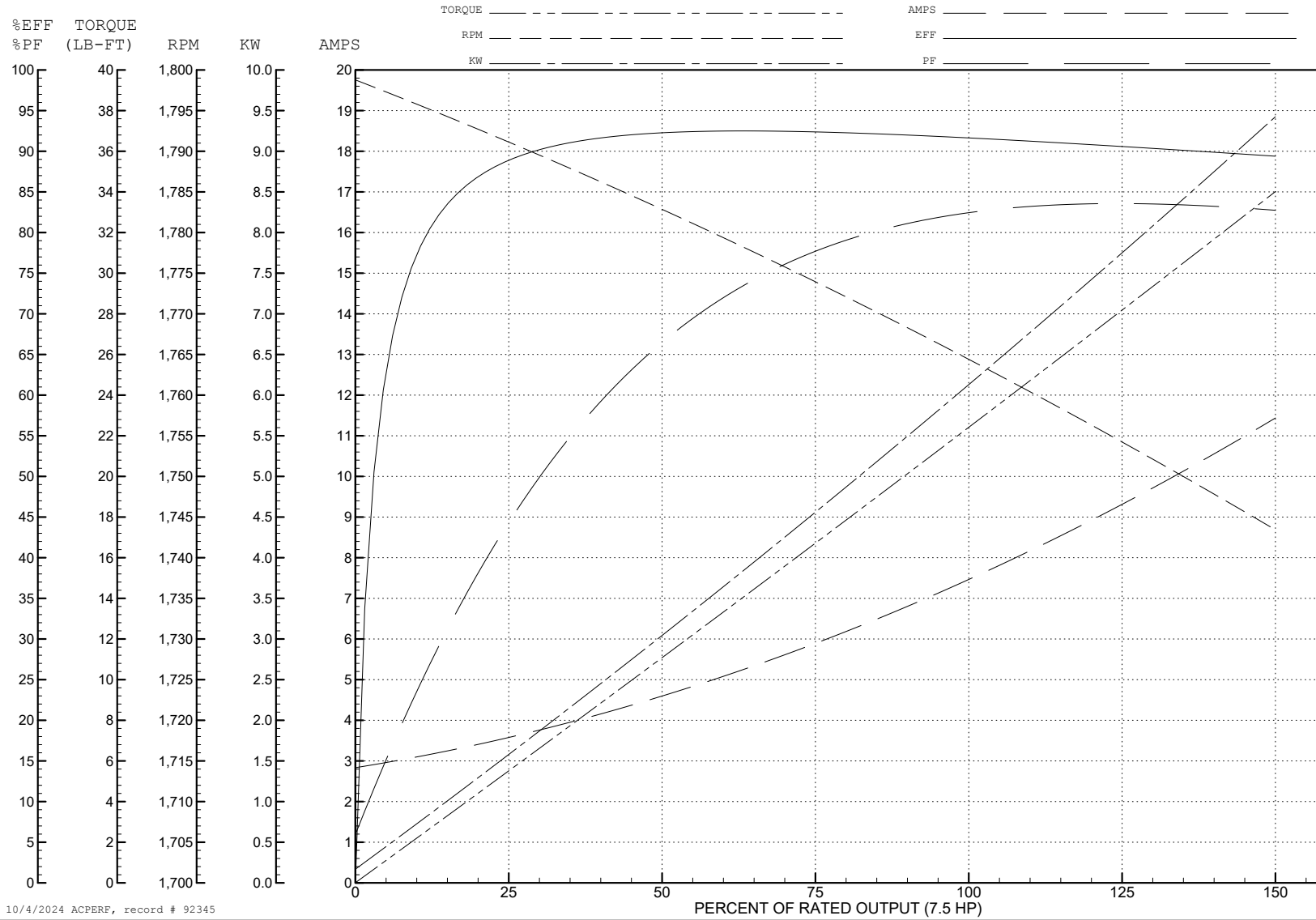
ABB Motors and Mechanical Inc.

WINDING # 07WGX614

Typical performance - not guaranteed values.

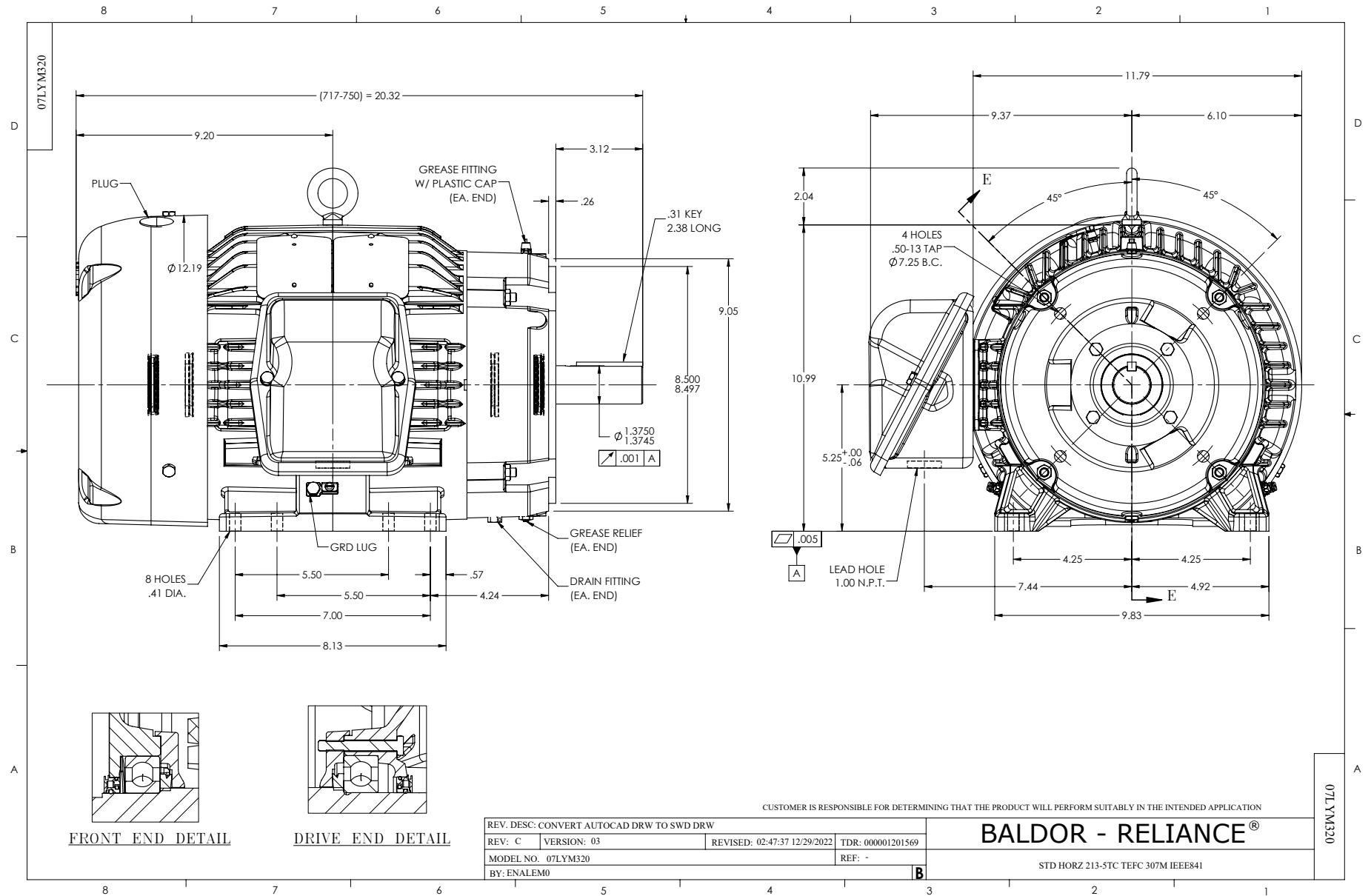
7.5 HP 3 PH 60 HZ 1765 RPM 575 V 0740M

TORQUES (LB-FT): PO=62.26 PU=33.88 LR=41.28 LRA=50.8

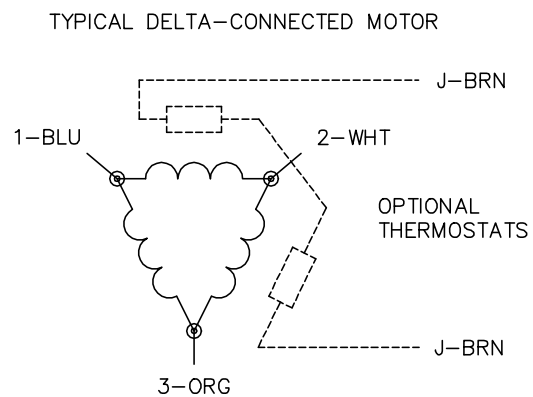
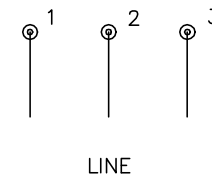
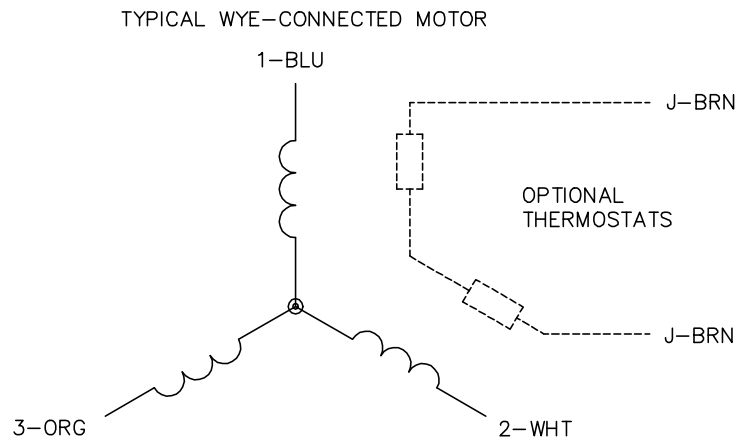


10/4/2024 ACPERF, record # 92345





CD0006



NOTES:

1. THREE LEAD MOTOR MAY BE EITHER WYE CONNECTED OR DELTA CONNECTED.
2. INTERCHANGE ANY TWO LINE LEADS TO REVERSE ROTATION.
3. OPTIONAL THERMOSTATS ARE PROVIDED WHEN SPECIFIED.
4. ACTUAL NUMBER OF INTERNAL PARALLEL CIRCUITS MAY VARY.
5. LEAD COLORS ARE OPTIONAL. LEADS MUST BE NUMBERED AS SHOWN.

CD0006

REV. DESC: ADD CLASS CONN00000007		
REV. LTR: E	VERSION: 01	TDR: 000001099922
FILE: \AAA\00005\141	REVISED: 10:24:49 02/19/2019	BY: ENBRIRO
MTL: -	© □	

**BALDOR - RELIANCE®**

3PH, SV, 3 LEADS, WYE OR DELTA CONNECTED

SH 1 of 1