

# ABB BALDOR RELIANCE III

---

## Customer information packet

CECP83665T-5

5HP, 1750RPM, 3PH, 60HZ, 184TC, 0641M, TEFC, F1

Class - CLI GP A,B,C,D

Division - Division II

**Specifications**

<b>Enclosure</b>	TEFC
<b>Frame</b>	184TC
<b>Frame Material</b>	Iron
<b>Frequency</b>	60.00 Hz
<b>Haz Area Class and Group</b>	CLI GP A,B,C,D
<b>Haz Area Division</b>	Division II
<b>Motor Letter Type</b>	Three Phase
<b>Output @ Frequency</b>	5.000 HP @ 60 HZ
<b>Phase</b>	3
<b>Synchronous Speed @ Frequency</b>	1800 RPM @ 60 HZ
<b>Voltage @ Frequency</b>	575.0 V @ 60 HZ
<b>Agency Approvals</b>	CSA EEV NEMA PREMIUM NEMA_PREMIUM UR CCSA US
<b>Ambient Temperature</b>	40 °C
<b>Auxiliary Box</b>	NO AUXILLARY BOX
<b>Auxiliary Box Lead Termination</b>	None
<b>Base Indicator</b>	Rigid
<b>Bearing Grease Type</b>	Polyrex EM (-20F +300F)
<b>Blower</b>	None
<b>Constant Torque Speed Range</b>	1.7
<b>Current @ Voltage</b>	5.300 A @ 575.0 V
<b>Design Code</b>	B
<b>Drip Cover</b>	No Drip Cover
<b>Duty Rating</b>	CONT
<b>Efficiency @ 100% Load</b>	89.5 %
<b>Electrically Isolated Bearing</b>	Not Electrically Isolated
<b>Feedback Device</b>	NO FEEDBACK
<b>Front Face Code</b>	Standard
<b>Front Shaft Indicator</b>	None

**Part Detail**

<b>Revision</b>	AD
<b>Type</b>	AC
<b>Mech. spec.</b>	06H770
<b>Base</b>	
<b>Status</b>	PRD/A
<b>Elec. spec.</b>	06WGX200
<b>Layout</b>	06LYH770
<b>Eff. date</b>	09-12-2022
<b>CD Diagram</b>	CD0006
<b>Poles</b>	04
<b>Leads</b>	3#16
<b>Proprietary</b>	False
<b>Created date</b>	04-05-2012

<b>Haz Area Temp Code</b>	T3C
<b>Heater Indicator</b>	No Heater
<b>High Voltage Full Load Amps</b>	5.3 a
<b>Insulation Class</b>	F
<b>Inverter Code</b>	Inverter Duty
<b>KVA Code</b>	J
<b>Lifting Lugs</b>	Standard Lifting Lugs
<b>Locked Bearing Indicator</b>	Locked Bearing
<b>Max Speed</b>	2700 rpm
<b>Motor Lead Exit</b>	Ko Box
<b>Motor Lead Quantity/Wire Size</b>	3 @ 16 AWG
<b>Motor Lead Termination</b>	Flying Leads
<b>Motor Standards</b>	NEMA
<b>Motor Type</b>	0642M
<b>Mounting Arrangement</b>	F1
<b>Number of Poles</b>	4
<b>Overall Length</b>	16.69 IN
<b>Power Factor</b>	79
<b>Product Family</b>	Chem Process S/P 32-8 IEEE 841
<b>Pulley End Bearing Type</b>	Ball
<b>Pulley Face Code</b>	C-Face
<b>Pulley Shaft Indicator</b>	Standard
<b>Rodent Screen</b>	None
<b>RoHS Status</b>	ROHS COMPLIANT
<b>Service Factor</b>	1.15
<b>Shaft Diameter</b>	1.125 IN
<b>Shaft Extension Location</b>	Pulley End
<b>Shaft Ground Indicator</b>	No Shaft Grounding
<b>Shaft Rotation</b>	Reversible
<b>Shaft Slinger Indicator</b>	Shaft Slinger
<b>Speed</b>	1750 rpm
<b>Speed Code</b>	Single Speed
<b>Starting Method</b>	Direct on line
<b>Thermal Device - Bearing</b>	None

<b>Thermal Device - Winding</b>	None
<b>Vibration Sensor Indicator</b>	No Vibration Sensor
<b>Winding Thermal 1</b>	None
<b>Winding Thermal 2</b>	None

**Nameplate**

<b>NP4328</b>									
<b>CAT.NO.</b>	CECP83665T-5								
<b>SPEC.</b>	06H770X200G1								
<b>HP</b>	5 TE			<b>IP</b>	56				
<b>VOLTS</b>	575								
<b>AMPS</b>	5.3								
<b>R.P.M.</b>	1750								
<b>FRAME</b>	184TC		<b>HZ</b>	60		<b>PH</b>	3		
<b>SER.F.</b>	1.15	<b>CODE</b>	J	<b>DES.</b>	B	<b>CLASS</b>	F		
<b>RATING</b>	40C AMB-CONT								
<b>SN</b>									
<b>DE</b>	6206		<b>ODE</b>	6206					
<b>NEMA NOM. EFF.</b>	89.5		<b>P.F.</b>	79					
<b>GUAR. MIN. EFF.</b>	87.5	<b>CC</b>	010A						
<b>T. CODE</b>	T3C	<b>TEMP=</b>	160						

**NP3186**

<b>SPEC.</b>	06H770X200G1		
<b>ABMA DE BRG</b>	30BC02XP30X		
<b>ABMA ODE BRG</b>	30BC02X30X		
<b>GREASE</b>	POLYREX EM		
<b>MOTOR WEIGHT</b>	131	<b>ROTOR BARS</b>	28
		<b>STATOR BARS</b>	36
<b>MAX. R.P.M.</b>	2700	<b>MAX. KVAR</b>	1.22
<b>INV.TYPE</b>	PWM		
<b>T=</b>	160		
<b>CHP</b>	60	<b>TO</b>	90
<b>CT</b>	1.7	<b>TO</b>	60
<b>VT</b>	-0	<b>TO</b>	60
<b>HTR-VOLTS</b>	N/A	<b>HTR-AMPS</b>	N/A
<b>HTR-WATTS</b>		<b>MAX. SPACE HEATER TEMP.</b>	N/A

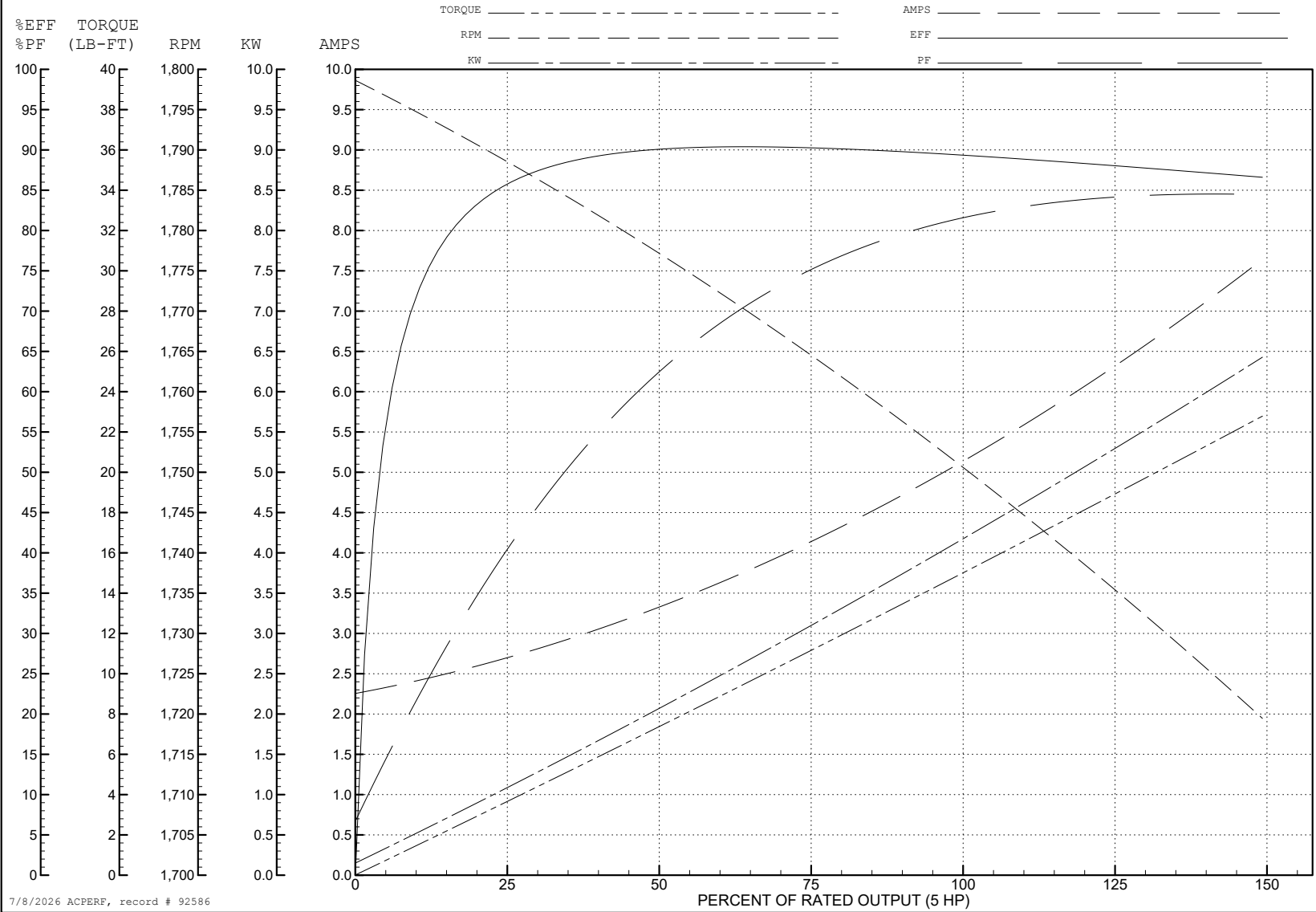
ABB Motors and Mechanical Inc.

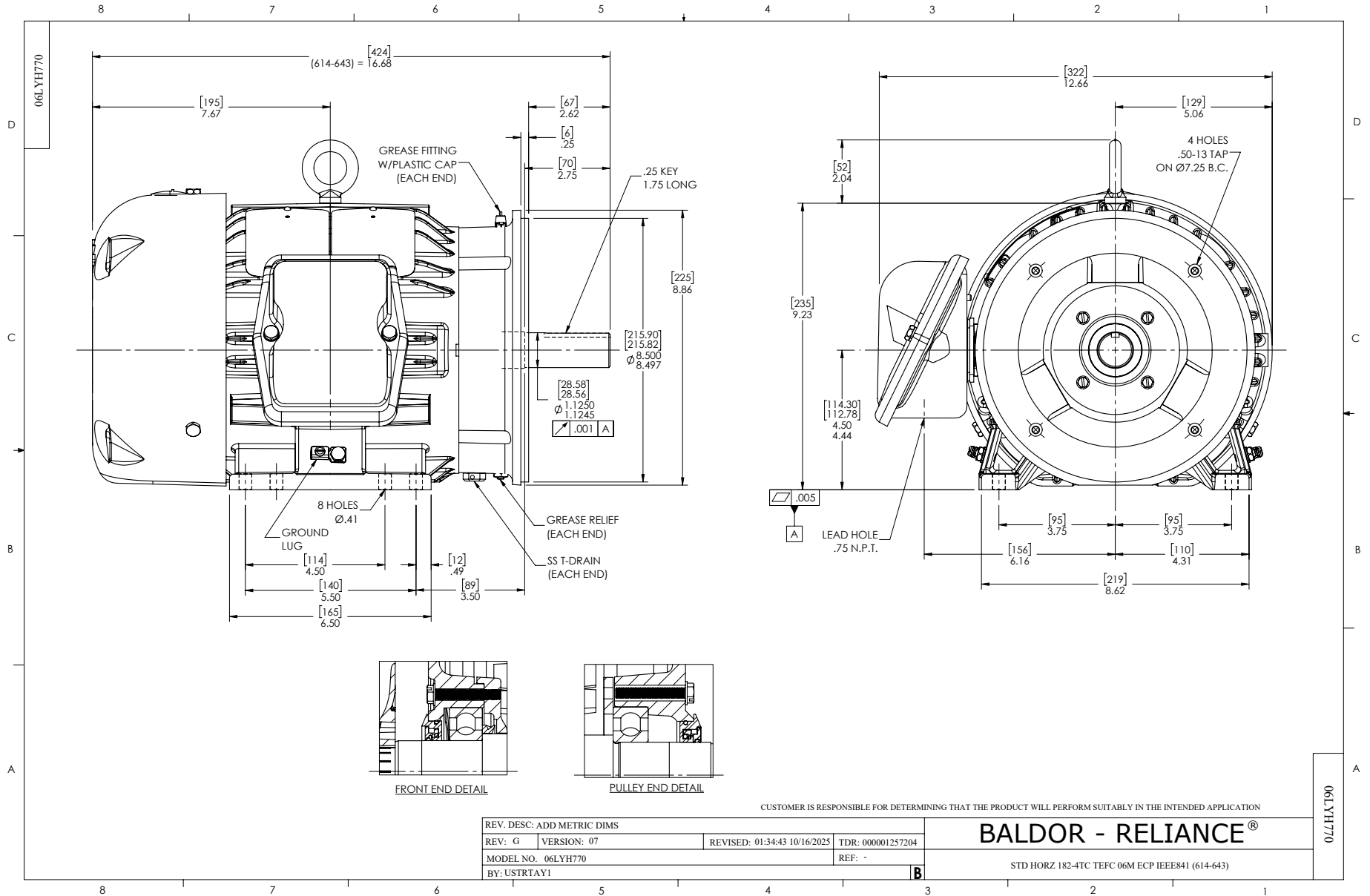
WINDING # 06WGX200

Typical performance - not guaranteed values.

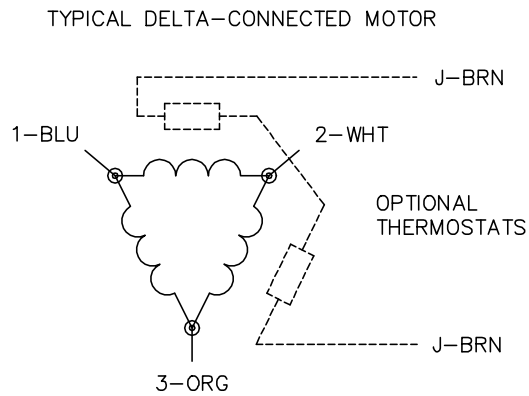
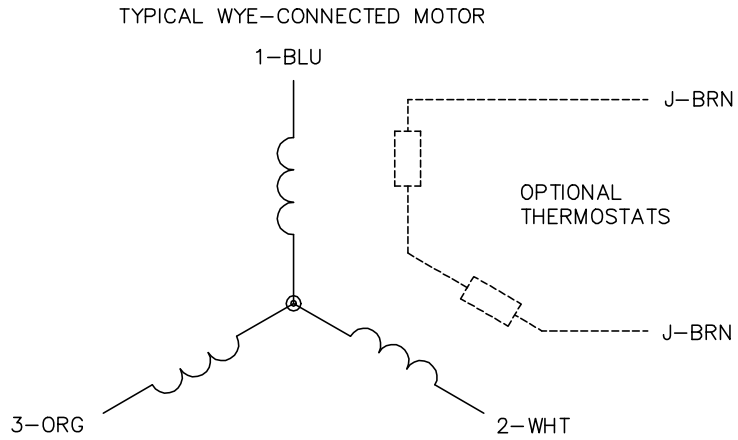
5 HP 3 PH 60 HZ 1750 RPM 575 V 0642M

TORQUES (LB-FT): PO=52.3 PU=21.6 LR=30.7 LRA=36.8





CD0006



NOTES:

1. THREE LEAD MOTOR MAY BE EITHER WYE CONNECTED OR DELTA CONNECTED.
2. INTERCHANGE ANY TWO LINE LEADS TO REVERSE ROTATION.
3. OPTIONAL THERMOSTATS ARE PROVIDED WHEN SPECIFIED.
4. ACTUAL NUMBER OF INTERNAL PARALLEL CIRCUITS MAY VARY.
5. LEAD COLORS ARE OPTIONAL. LEADS MUST BE NUMBERED AS SHOWN.

CD0006

REV. DESC: ADD CLASS CONN00000007		
REV. LTR: E	VERSION: 01	TDR: 000001099922
FILE: \AAA\00005\141	REVISED: 10:24:49 02/19/2019	BY: ENBRIRO
MTL: -		© □

**BALDOR - RELIANCE®**

3PH, SV, 3 LEADS, WYE OR DELTA CONNECTED

SH 1 of 1