



Customer information packet

CECP83581-4

1HP, 1770RPM, 3PH, 60HZ, 56C, 0520M, TEFC, F3, N

Class - CLI GP A,B,C,D

Division - Division II

Specifications

Enclosure	TEFC
Frame	56C
Frame Material	Iron
Frequency	60.00 Hz
Haz Area Class and Group	CLI GP A,B,C,D
Haz Area Division	Division II
Motor Letter Type	Three Phase
Output @ Frequency	1.000 HP @ 60 HZ
Phase	3
Synchronous Speed @ Frequency	1800 RPM @ 60 HZ
Voltage @ Frequency	460.0 V @ 60 HZ
Agency Approvals	CCSA US CSA EEV NEMA PREMIUM NEMA_PREMIUM UR
Ambient Temperature	40 °C
Auxillary Box	No Auxillary Box
Auxillary Box Lead Termination	None
Base Indicator	Rigid
Bearing Grease Type	Polyrex EM (-20F +300F)
Blower	None
Constant Torque Speed Range	1.2
Current @ Voltage	1.600 A @ 460.0 V
Design Code	B
Drip Cover	No Drip Cover
Duty Rating	CONT
Efficiency @ 100% Load	85.5 %
Electrically Isolated Bearing	Not Electrically Isolated
Feedback Device	NO FEEDBACK
Front Shaft Indicator	None
Haz Area Temp Code	T4

Part detail

Revision	B
Type	AC
Mech. spec.	05G312
Base	
Status	PRD/A
Elec. spec.	05WGX565
Layout	05LYG312
Eff. date	04-10-2023
CD Diagram	CD0006
Poles	04
Leads	3#18
Proprietary	False
Created date	03-11-2022

Heater Indicator	No Heater
High Voltage Full Load Amps	1.6 a
Insulation Class	F
Inverter Code	Inverter Ready
KVA Code	N
Lifting Lugs	No Lifting Lugs
Locked Bearing Indicator	Locked Bearing
Max Speed	2700 rpm
Motor Lead Quantity/Wire Size	3 @ 18 AWG
Motor Lead Termination	Flying Leads
Motor Standards	NEMA
Motor Type	0520M
Mounting Arrangement	F3
Number of Poles	4
Overall Length	14.81 IN
Power Factor	68
Product Family	Chem Process S/P 32-8 IEEE 841
Pulley End Bearing Type	Ball
Pulley Face Code	C-Face
Pulley Shaft Indicator	Standard
Rodent Screen	None
Service Factor	1.15
Shaft Diameter	0.625 IN
Shaft Ground Indicator	No Shaft Grounding
Shaft Rotation	Reversible
Shaft Slinger Indicator	No Slinger
Speed	1770 rpm
Speed Code	Single Speed
Starting Method	Direct on line
Thermal Device - Bearing	None
Thermal Device - Winding	None
Vibration Sensor Indicator	No Vibration Sensor
Winding Thermal 1	None
Winding Thermal 2	None

Nameplate

NP4328

CAT.NO.	CECP83581-4					
SPEC.	05G312X565G1					
HP	1 TE		IP	56		
VOLTS	460					
AMPS	1.6					
R.P.M.	1770					
FRAME	56C		HZ	60	PH	3
SER.F.	1.15	CODE	N	DES.	B	CLASS F
RATING	40C AMB-CONT					
SN						
DE	6205		ODE	6205		
NEMA NOM. EFF.	85.5		P.F.	68		
GUAR. MIN. EFF.	82.5	CC	010A			
T. CODE	T4		TEMP=	135		

NP3186

SPEC.	05G312X565G1		
ABMA DE BRG	25BC02X30X		
ABMA ODE BRG	25BC02X30X		
GREASE	POLYREX EM		
MOTOR WEIGHT	57	ROTOR BARS	27
		STATOR BARS	36
MAX. R.P.M.	2700	MAX. KVAR	0.52
	SFA 1.75		
INV.TYPE	PWM		
T=	135		
CHP	60	TO	90
CT	1.2	TO	60
VT	-0	TO	60
HTR-VOLTS		HTR-AMPS	
HTR-WATTS		MAX. SPACE HEATER TEMP.	

AC Induction Motor Performance Data

Record # 82133

Typical performance - not guaranteed values

Winding: 05WGX565-R001		Type: 0520M		Enclosure: TEFC	
Nameplate Data			460 V, 60 Hz: Single Voltage Motor		
Rated Output (HP)	1	Full Load Torque	2.97 LB-FT		
Volts	460	Start Configuration	direct on line		
Full Load Amps	1.6	Breakdown Torque	13.86 LB-FT		
R.P.M.	1760	Pull-up Torque	7.96 LB-FT		
Hz	60 Phase	3	Locked-rotor Torque	9.14 LB-FT	
NEMA Design Code	B	KVA Code	N	Starting Current	14.35 A
Service Factor (S.F.)	1.15	No-load Current	1.11 A		
NEMA Nom. Eff.	85.5	Power Factor	67	Line-line Res. @ 25°C	16.8 Ω
Rating - Duty	40C	AMB-CONT	Temp. Rise @ Rated Load		
S.F. Amps	1.8	Temp. Rise @ S.F. Load	24°C		
		Locked-rotor Power Factor	61.8256		
		Rotor inertia	0.144 lb-ft ²		

Load Characteristics 460 V, 60 Hz, 1 HP

% of Rated Load	25	50	75	100	125	150	S.F.
Power Factor	29	46	59	68	75	79	73
Efficiency	71.7	81.5	84.6	85.6	85.4	84.8	85.6
Speed	1791	1784	1776	1768	1759	1751	1763
Line amperes	1.14	1.25	1.4	1.61	1.84	2.1	1.73

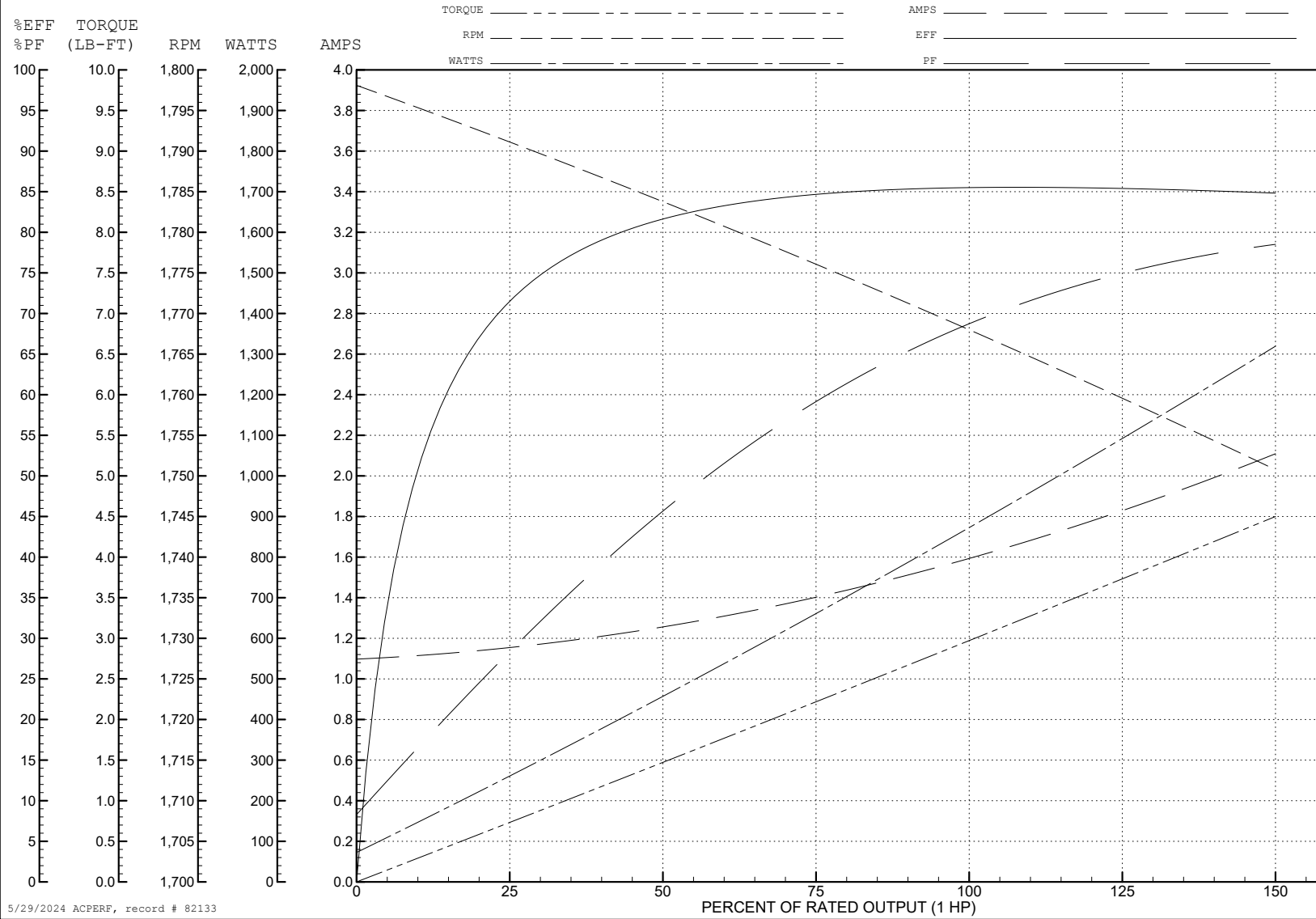
ABB Motors and Mechanical Inc.

WINDING # 05WGX565

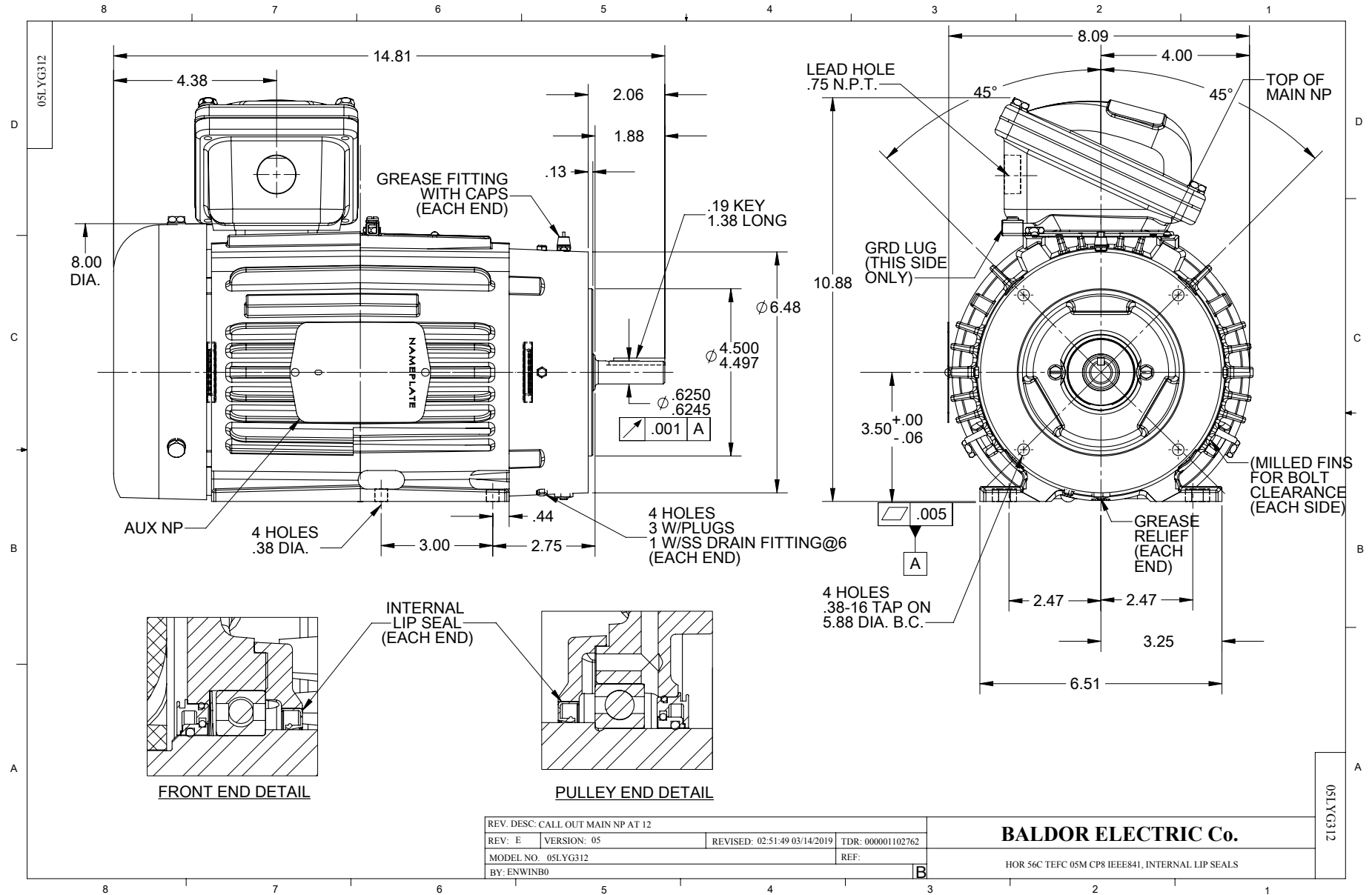
Typical performance - not guaranteed values.

1 HP 3 PH 60 HZ 1760 RPM 460 V 0520M

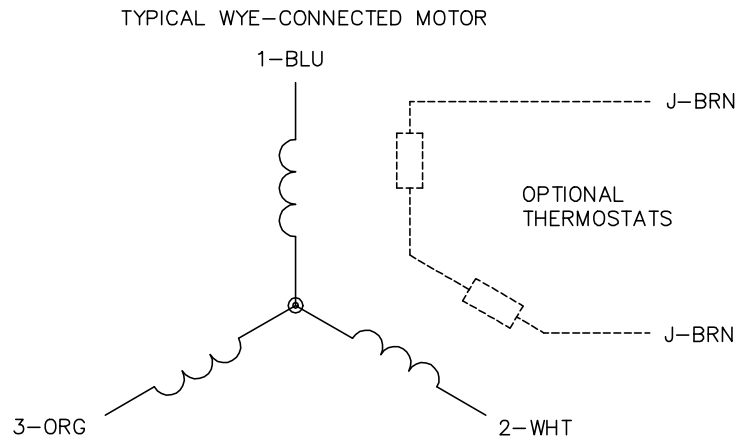
TORQUES (LB-FT): PO=13.86 PU=7.96 LR=9.14 LRA=14.35



5/29/2024 ACPERF, record # 82133



CD0006



NOTES:

1. THREE LEAD MOTOR MAY BE EITHER WYE CONNECTED OR DELTA CONNECTED.
2. INTERCHANGE ANY TWO LINE LEADS TO REVERSE ROTATION.
3. OPTIONAL THERMOSTATS ARE PROVIDED WHEN SPECIFIED.
4. ACTUAL NUMBER OF INTERNAL PARALLEL CIRCUITS MAY VARY.
5. LEAD COLORS ARE OPTIONAL. LEADS MUST BE NUMBERED AS SHOWN.

CD0006

REV. DESC: ADD CLASS CONN00000007		
REV. LTR: E	VERSION: 01	TDR: 000001099922
FILE: \AAA\00005\141	REVISED: 10:24:49 02/19/2019	BY: ENBRIRO
MTL: -	© □	

BALDOR - RELIANCE®

3PH, SV, 3 LEADS, WYE OR DELTA CONNECTED

SH 1 of 1