



Customer information packet

CECP83580T-4

1HP, 3500RPM, 3PH, 60HZ, 143TC, 0514M, TEFC, F1

Class - CLI GP A,B,C,D

Division - Division II

Specifications

Enclosure	TEFC
Frame	143TC
Frame Material	Iron
Frequency	60.00 Hz
Haz Area Class and Group	CLI GP A,B,C,D
Haz Area Division	Division II
Motor Letter Type	Three Phase
Output @ Frequency	1.000 HP @ 60 HZ
Phase	3
Synchronous Speed @ Frequency	3600 RPM @ 60 HZ
Voltage @ Frequency	460.0 V @ 60 HZ
Agency Approvals	CCSA US CSA EEV NEMA PREMIUM NEMA_PREMIUM UR
Ambient Temperature	40 °C
Auxillary Box	No Auxillary Box
Auxillary Box Lead Termination	None
Base Indicator	Rigid
Bearing Grease Type	Polyrex EM (-20F +300F)
Blower	None
Constant Torque Speed Range	1.7
Current @ Voltage	1.650 A @ 460.0 V
Design Code	B
Drip Cover	No Drip Cover
Duty Rating	CONT
Efficiency @ 100% Load	77.0 %
Electrically Isolated Bearing	Not Electrically Isolated
Feedback Device	NO FEEDBACK
Front Shaft Indicator	None
Haz Area Temp Code	T4

Part detail

Revision	B
Type	AC
Mech. spec.	05E943
Base	
Status	PRD/A
Elec. spec.	05WGX522
Layout	05LYE943
Eff. date	12-30-2024
CD Diagram	CD0006
Poles	02
Leads	3#18
Proprietary	False
Created date	03-25-2022

Heater Indicator	No Heater
High Voltage Full Load Amps	1.7 a
Insulation Class	F
Inverter Code	Inverter Duty
KVA Code	L
Lifting Lugs	Standard Lifting Lugs
Locked Bearing Indicator	Locked Bearing
Max Speed	5400 rpm
Motor Lead Quantity/Wire Size	3 @ 18 AWG
Motor Lead Termination	Flying Leads
Motor Standards	NEMA
Motor Type	0514M
Mounting Arrangement	F1
Number of Poles	2
Overall Length	13.38 IN
Power Factor	78
Product Family	Chem Process S/P 32-8 IEEE 841
Pulley End Bearing Type	Ball
Pulley Face Code	Standard
Pulley Shaft Indicator	Standard
Rodent Screen	None
Service Factor	1.25
Shaft Diameter	0.875 IN
Shaft Ground Indicator	No Shaft Grounding
Shaft Rotation	Reversible
Shaft Slinger Indicator	Shaft Slinger
Speed	3500 rpm
Speed Code	Single Speed
Starting Method	Direct on line
Thermal Device - Bearing	None
Thermal Device - Winding	None
Vibration Sensor Indicator	No Vibration Sensor
Winding Thermal 1	None
Winding Thermal 2	None

Nameplate

NP4328									
CAT.NO.	CECP83580T-4								
SPEC.	05E943X522G1								
HP	1 TE				IP	56			
VOLTS	460								
AMPS	1.65								
R.P.M.	3500								
FRAME	143TC		HZ	60		PH	3		
SER.F.	1.25	CODE	L	DES.	B	CLASS	F		
RATING	40C AMB-CONT								
SN									
DE	6205	ODE	6205						
NEMA NOM. EFF.	77	P.F.	78						
GUAR. MIN. EFF.	74	CC	010A						
T. CODE	T4	TEMP=	135						

NP3186

SPEC.	05E943X522G1		
ABMA DE BRG	25BC02X30X		
ABMA ODE BRG	25BC02X30X		
GREASE	POLYREX EM		
MOTOR WEIGHT	63	ROTOR BARS	20
		STATOR BARS	24
MAX. R.P.M.	5400	MAX. KVAR	0.41
	SFA 1.88		
INV.TYPE	PWM		
T=	135		
CHP	60	TO	90
CT	1.7	TO	60
VT	-0	TO	60
HTR-VOLTS	N/A	HTR-AMPS	N/A
HTR-WATTS	N/A	MAX. SPACE HEATER TEMP.	N/A

AC Induction Motor Performance Data

Record # 91487

Typical performance - not guaranteed values

Winding: 05WGX522-R001		Type: 0514M	Enclosure: TEFC
Nameplate Data		460 V, 60 Hz: High Voltage Connection	
Rated Output (HP)	1	Full Load Torque	1.5031 LB-FT
Volts	460	Start Configuration	direct on line
Full Load Amps	1.5	Breakdown Torque	6.4882 LB-FT
R.P.M.	3500	Pull-up Torque	15.1 LB-FT
Hz	60 Phase	Locked-rotor Torque	4.241 LB-FT
NEMA Design Code	B KVA Code	Starting Current	11.6507 A
Service Factor (S.F.)	1.25	No-load Current	1.1026 A
NEMA Nom. Eff.	77 Power Factor	Line-line Res. @ 25°C	18.4 Ω
Rating - Duty	40C AMB-CONT	Temp. Rise @ Rated Load	35°C
S.F. Amps	1.8	Temp. Rise @ S.F. Load	42°C
		Locked-rotor Power Factor	66.3262
		Rotor inertia	0.0387 lb-ft ²

Load Characteristics 460 V, 60 Hz, 1 HP

% of Rated Load	25	50	75	100	125	150	S.F.
Power Factor	38.2337	54.3923	66.2507	74.5256	80.1108	83.8765	80
Efficiency	53.0159	67.4833	73.5821	77	77.6584	77.9077	77.7
Speed	3568.338	3547.098	3524.598	3500.477	3474.737	3447.016	3475
Line amperes	1.1624	1.2778	1.4414	1.6462	1.8836	2.1498	1.88

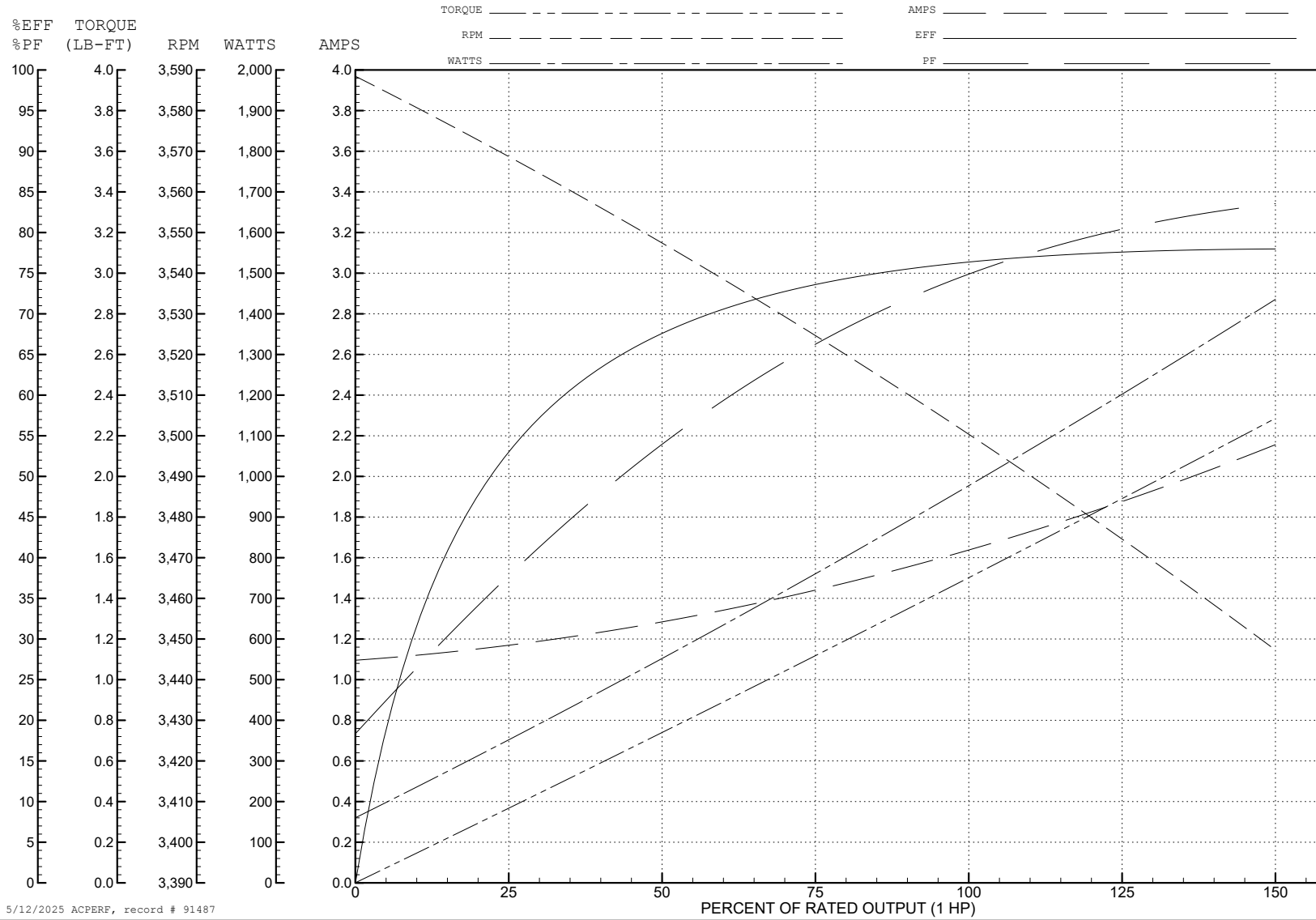
ABB Motors and Mechanical Inc.

WINDING # 05WGX522

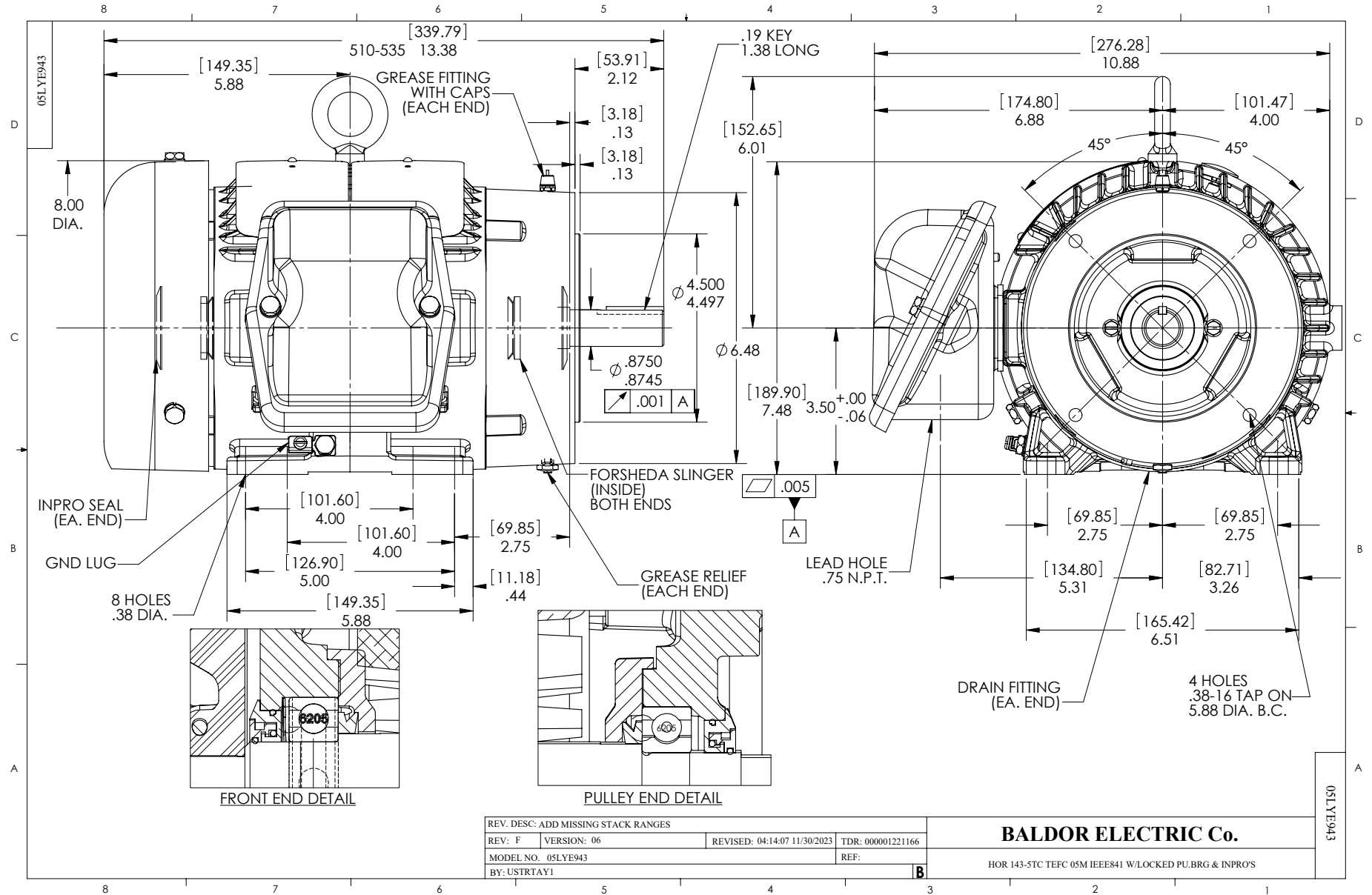
Typical performance - not guaranteed values.

1 HP 3 PH 60 HZ 3500 RPM 460 V 0514M

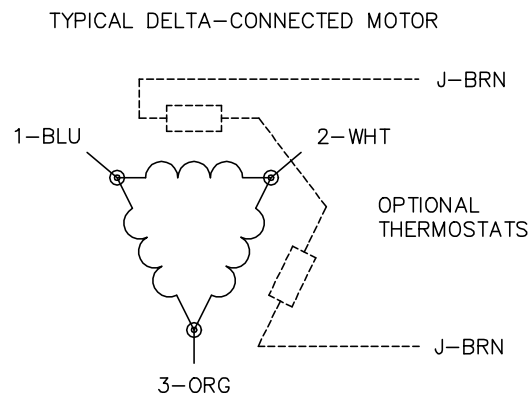
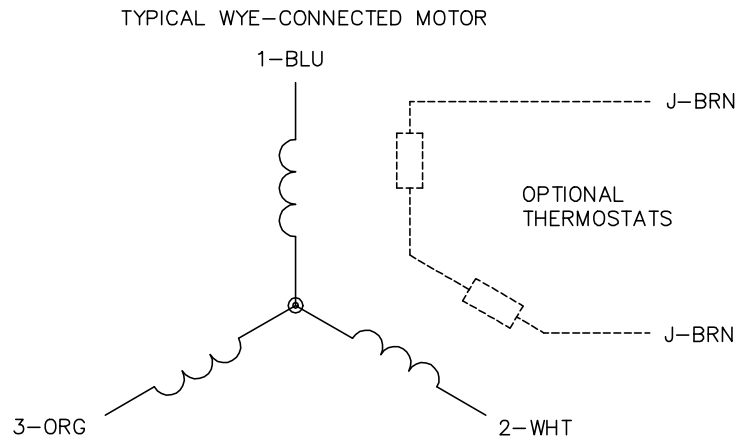
TORQUES (LB-FT): PO=6.4882 PU=15.1 LR=4.241 LRA=11.6507



5/12/2025 ACPERF, record # 91487



CD0006



NOTES:

1. THREE LEAD MOTOR MAY BE EITHER WYE CONNECTED OR DELTA CONNECTED.
2. INTERCHANGE ANY TWO LINE LEADS TO REVERSE ROTATION.
3. OPTIONAL THERMOSTATS ARE PROVIDED WHEN SPECIFIED.
4. ACTUAL NUMBER OF INTERNAL PARALLEL CIRCUITS MAY VARY.
5. LEAD COLORS ARE OPTIONAL. LEADS MUST BE NUMBERED AS SHOWN.

CD0006

REV. DESC: ADD CLASS CONN00000007		
REV. LTR: E	VERSION: 01	TDR: 000001099922
FILE: \AAA\00005\141	REVISED: 10:24:49 02/19/2019	BY: ENBRIRO
MTL: -	© □	

BALDOR - RELIANCE®

3PH, SV, 3 LEADS, WYE OR DELTA CONNECTED

SH 1 of 1