

ABB BALDOR RELIANCE III

Customer information packet

CECP83580-4

1HP, 3500RPM, 3PH, 60HZ, 56C, 0514M, TEFC, F3, N

Class - CLI GP A,B,C,D

Division - Division II

Specifications

Enclosure	TEFC
Frame	56C
Frame Material	Iron
Frequency	60.00 Hz
Haz Area Class and Group	CLI GP A,B,C,D
Haz Area Division	Division II
Motor Letter Type	Three Phase
Output @ Frequency	1.000 HP @ 60 HZ
Phase	3
Synchronous Speed @ Frequency	3600 RPM @ 60 HZ
Voltage @ Frequency	460.0 V @ 60 HZ
Agency Approvals	CCSA US CSA EEV NEMA PREMIUM NEMA_PREMIUM UR
Ambient Temperature	40 °C
Auxiliary Box	NO AUXILLARY BOX
Auxiliary Box Lead Termination	None
Base Indicator	Rigid
Bearing Grease Type	Polyrex EM (-20F +300F)
Blower	None
Constant Torque Speed Range	1.7
Current @ Voltage	1.650 A @ 460.0 V
Design Code	B
Drip Cover	No Drip Cover
Duty Rating	CONT
Efficiency @ 100% Load	77.0 %
Electrically Isolated Bearing	Not Electrically Isolated
Feedback Device	NO FEEDBACK
Front Shaft Indicator	None
Haz Area Temp Code	T4

Part Detail

Revision	B
Type	AC
Mech. spec.	05G312
Base	
Status	PRD/A
Elec. spec.	05WGX522
Layout	05LYG312
Eff. date	11-27-2024
CD Diagram	CD0006
Poles	02
Leads	3#18
Proprietary	False
Created date	03-25-2022

Heater Indicator	No Heater
High Voltage Full Load Amps	1.7 a
Insulation Class	F
Inverter Code	Inverter Duty
KVA Code	L
Lifting Lugs	No Lifting Lugs
Locked Bearing Indicator	Locked Bearing
Max Speed	5400 rpm
Motor Lead Quantity/Wire Size	3 @ 18 AWG
Motor Lead Termination	Flying Leads
Motor Standards	NEMA
Motor Type	0514M
Mounting Arrangement	F3
Number of Poles	2
Overall Length	14.81 IN
Power Factor	74
Product Family	Chem Process S/P 32-8 IEEE 841
Pulley End Bearing Type	Ball
Pulley Face Code	C-Face
Pulley Shaft Indicator	Standard
Rodent Screen	None
RoHS Status	ROHS COMPLIANT
Service Factor	1.15
Shaft Diameter	0.625 IN
Shaft Ground Indicator	No Shaft Grounding
Shaft Rotation	Reversible
Shaft Slinger Indicator	No Slinger
Speed	3500 rpm
Speed Code	Single Speed
Starting Method	Direct on line
Thermal Device - Bearing	None
Thermal Device - Winding	None
Vibration Sensor Indicator	No Vibration Sensor
Winding Thermal 1	None

Winding Thermal 2

None

Nameplate

NP4328									
CAT.NO.	CECP83580-4								
SPEC.	05G312X522G1								
HP	1 TE			IP	56				
VOLTS	460								
AMPS	1.65								
R.P.M.	3500								
FRAME	56C		HZ	60		PH	3		
SER.F.	1.15	CODE	L	DES.	B	CLASS	F		
RATING	40C AMB-CONT								
SN									
DE	6205		ODE	6205					
NEMA NOM. EFF.	77		P.F.	74					
GUAR. MIN. EFF.	74	CC	010A						
T. CODE	T4	TEMP=	135						

NP3186

SPEC.	05G312X522G1		
ABMA DE BRG	25BC02X30X		
ABMA ODE BRG	25BC02X30X		
GREASE	POLYREX EM		
MOTOR WEIGHT	56	ROTOR BARS	20
		STATOR BARS	24
MAX. R.P.M.	5400	MAX. KVAR	0.41
	SFA 1.88		
INV.TYPE	PWM		
T=	135		
CHP	60	TO	90
CT	1.7	TO	60
VT	-0	TO	60
HTR-VOLTS	N/A	HTR-AMPS	N/A
HTR-WATTS	N/A	MAX. SPACE HEATER TEMP.	N/A

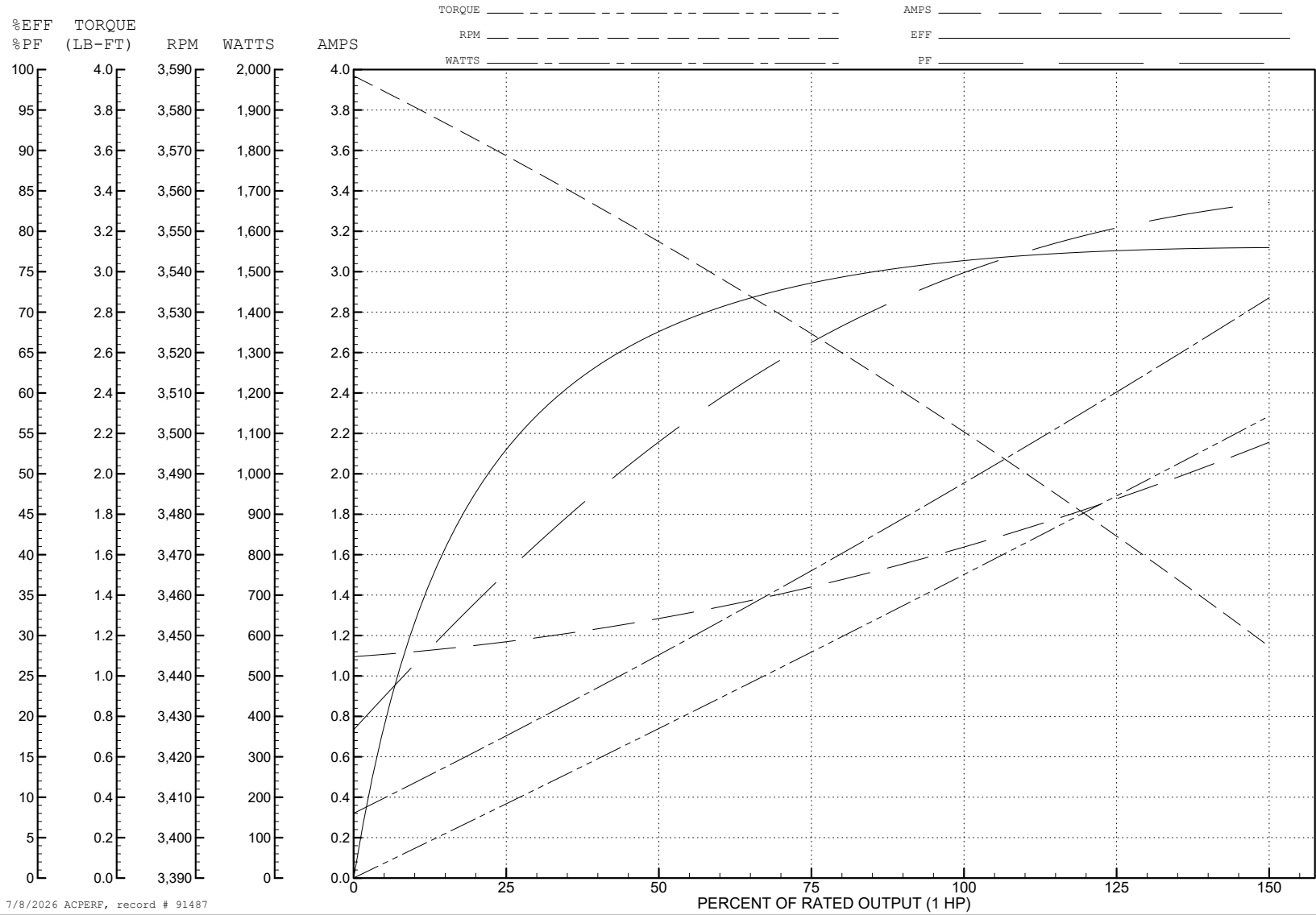
ABB Motors and Mechanical Inc.

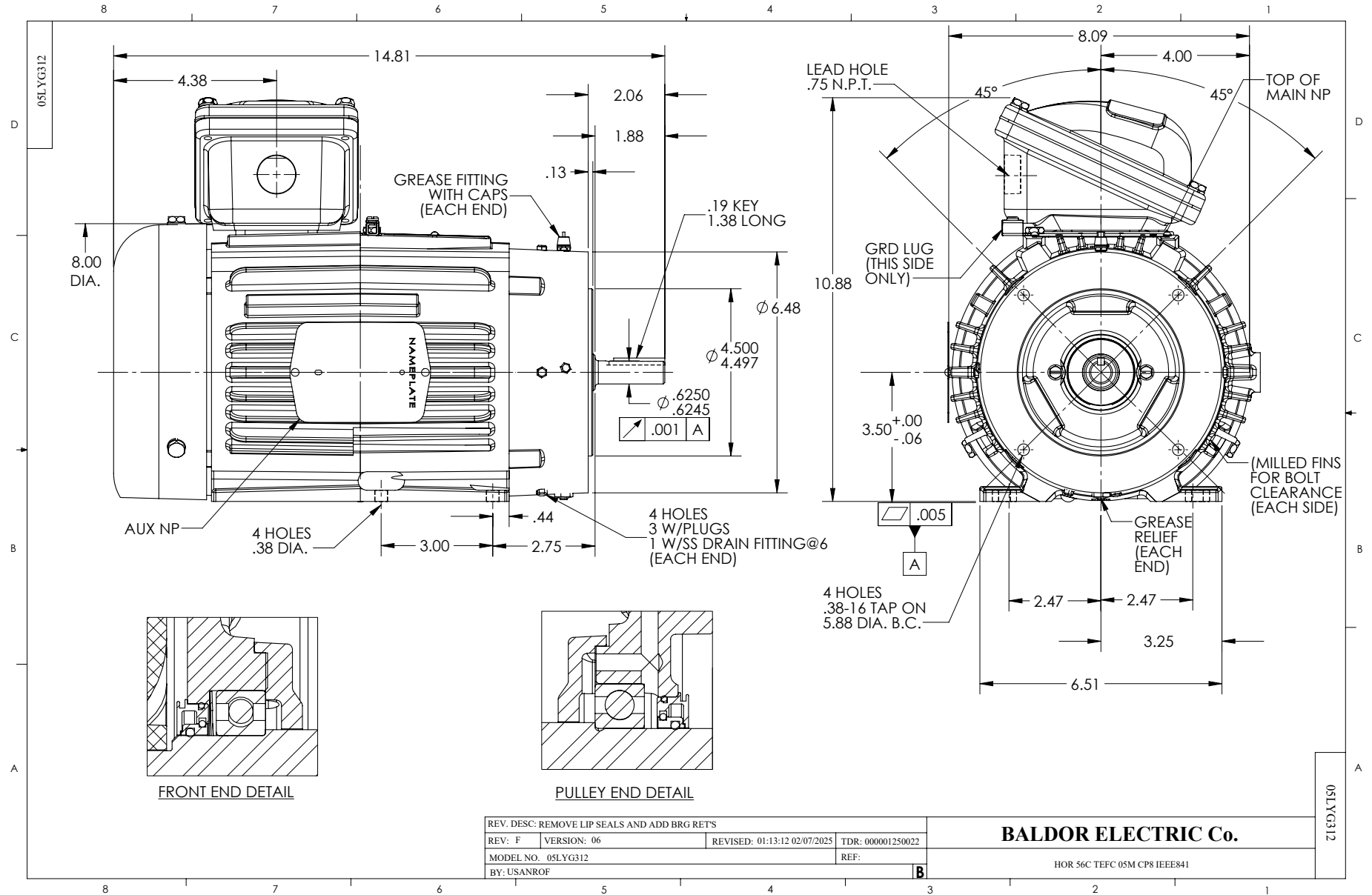
WINDING # 05WGX522

Typical performance - not guaranteed values.

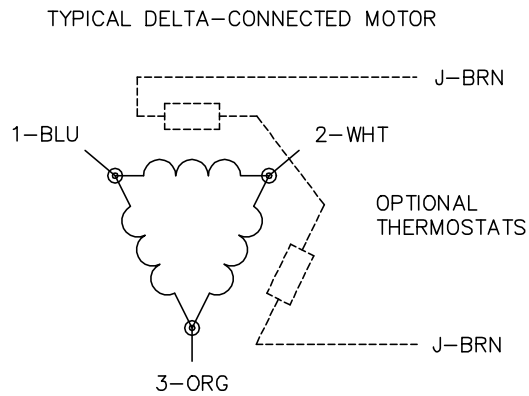
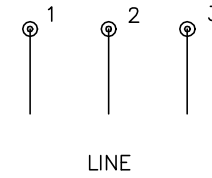
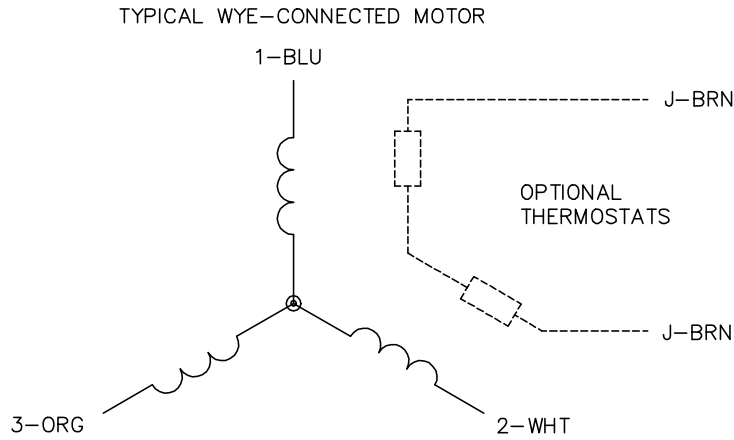
1 HP 3 PH 60 HZ 3500 RPM 460 V 0514M

TORQUES (LB-FT): PO=6.4882 PU=15.1 LR=4.241 LRA=11.6507





CD0006



NOTES:

1. THREE LEAD MOTOR MAY BE EITHER WYE CONNECTED OR DELTA CONNECTED.
2. INTERCHANGE ANY TWO LINE LEADS TO REVERSE ROTATION.
3. OPTIONAL THERMOSTATS ARE PROVIDED WHEN SPECIFIED.
4. ACTUAL NUMBER OF INTERNAL PARALLEL CIRCUITS MAY VARY.
5. LEAD COLORS ARE OPTIONAL. LEADS MUST BE NUMBERED AS SHOWN.

CD0006

REV. DESC: ADD CLASS CONN00000007		
REV. LTR: E	VERSION: 01	TDR: 000001099922
FILE: \AAA\00005\141	REVISED: 10:24:49 02/19/2019	BY: ENBRIRO
MTL: -	© □	

BALDOR - RELIANCE®

3PH, SV, 3 LEADS, WYE OR DELTA CONNECTED

SH 1 of 1