

ABB BALDOR RELIANCE III

Customer information packet

CECP4407T-4

200HP, 1785RPM, 3PH, 60HZ, 447TC, TEFC, F1

Class - CLI GP A,B,C,D

Division - Division II

Specifications

Enclosure	TEFC
Frame	447TC
Frame Material	Iron
Frequency	60.00 Hz
Haz Area Class and Group	CLI GP A,B,C,D
Haz Area Division	Division II
Motor Letter Type	Three Phase
Output @ Frequency	200.000 HP @ 60 HZ
Phase	3
Synchronous Speed @ Frequency	1800 RPM @ 60 HZ
Voltage @ Frequency	460.0 V @ 60 HZ
Agency Approvals	CCSAUSEEV
Ambient Temperature	40 °C
Auxiliary Box	NO AUXILLARY BOX
Base Indicator	Rigid
Bearing Grease Type	Polyrex EM (-20F +300F)
Constant Torque Speed Range	30-60
Current @ Voltage	222.000 A @ 460.0 V
Design Code	B
Drip Cover	No Drip Cover
Duty Rating	CONT
Efficiency @ 100% Load	96.2 %
Feedback Device	NO FEEDBACK
Haz Area Temp Code	T3
Heater Indicator	No Heater
High Voltage Full Load Amps	222.0 a
Insulation Class	F
Inverter Code	Inverter Ready
KVA Code	G
Lifting Lugs	Standard Lifting Lugs
Motor Lead Quantity/Wire Size	6 @ 1/0 AWG
Motor Standards	NEMA

Part Detail

Revision	S
Type	AC
Mech. spec.	
Base	
Status	PRD/A
Elec. spec.	A44WG0690
Layout	617427-014
Eff. date	12-27-2024
CD Diagram	416820-036
Poles	04
Leads	3#1/0 (02 per group) Y
Proprietary	False
Created date	02-08-2014

Motor Type	A44120M
Mounting Arrangement	F1
Number of Poles	4
Overall Length	48.24 IN
Power Factor	87
Product Family	General Industrial
Pulley End Bearing Type	Ball
Pulley Face Code	C-Face
Service Factor	1.15
Shaft Diameter	3.375 IN
Shaft Ground Indicator	No Shaft Grounding
Shaft Rotation	Reversible
Shaft Slinger Indicator	No Slinger
Speed	1785 rpm
Speed Code	Single Speed
Starting Method	Direct on line
Thermal Device - Bearing	None
Thermal Device - Winding	None

Nameplate

NP2496L
EXXON POLYREX EM

NP3238

CAT NO	CECP4407T-4	SPEC NO.	A44-5431-2876			
HP	200	AMPS	222	VOLTS 460	DESIGN B	
FRAME	447TC	RPM	1785	HZ 60	AMB 40	SF 1.15
D.E. BRG.DATA	6318	O.D.E. BRG.DATA	6318	PH 3	DUTY CONT	INSUL.CLASS F
D.E. BRG.	90BC03J30X	TYPE	P	ENCL TEFC	CODE G	
O.D.E. BRG.	90BC03J30X	POWER FACTOR	87	NEMA NOM EFFICIENCY	96.2	
3/4 LOAD EFF.	96.5	MAX CORR KVAR	32.0	GUARANTEED EFFICIENCY	95.4	
TEMP CODE	T3	TEMP =	200			
CHP HZ	60-90	CT HZ	30-60	VT HZ	0-60	
INVERTER-TEMP-CODE	T3					
SER.NO.		MOTOR WEIGHT				

REL. S.O.	FRAME	HP	TYPE	PHASE/ HERTZ	RPM	VOLTS
	447TD	200	P	3/60	1785	460
AMPS	DUTY	AMB °C/ INSUL.	S.F.	NEMA DESIGN	CODE LETTER	ENCL.
222	CONT	40/F	1.15	B	G	TEFC
E/S	ROTOR	TEST S.O.	TEST DATE	STATOR RES. @25 °C OHMS (BETWEEN LINES)		
---	418143052CE	---	---	.0169		

PERFORMANCE

LOAD	HP	AMPERES	RPM	% POWER FACTOR	% EFFICIENCY
NO LOAD	0	62.0	1800	4.07	0
1/4	50.0	88.3	1796	56.3	94.3
2/4	100	126	1793	77.4	96.2
3/4	150	172	1789	84.8	96.4
4/4	200	222	1785	87.6	96.2
5/4	250	276	1781	88.4	95.8

SPEED TORQUE

	RPM	TORQUE % FULL LOAD	TORQUE LB.-FT.	AMPERES
LOCKED ROTOR	0	147	865	1428
PULL UP	540	123	726	1332
BREAKDOWN	1730	268	1579	770
FULL LOAD	1785	100	588	222

AMPERES SHOWN FOR 460. VOLT CONNECTION. IF OTHER VOLTAGE CONNECTIONS ARE AVAILABLE, THE AMPERES WILL VARY INVERSELY WITH THE RATED VOLTAGE

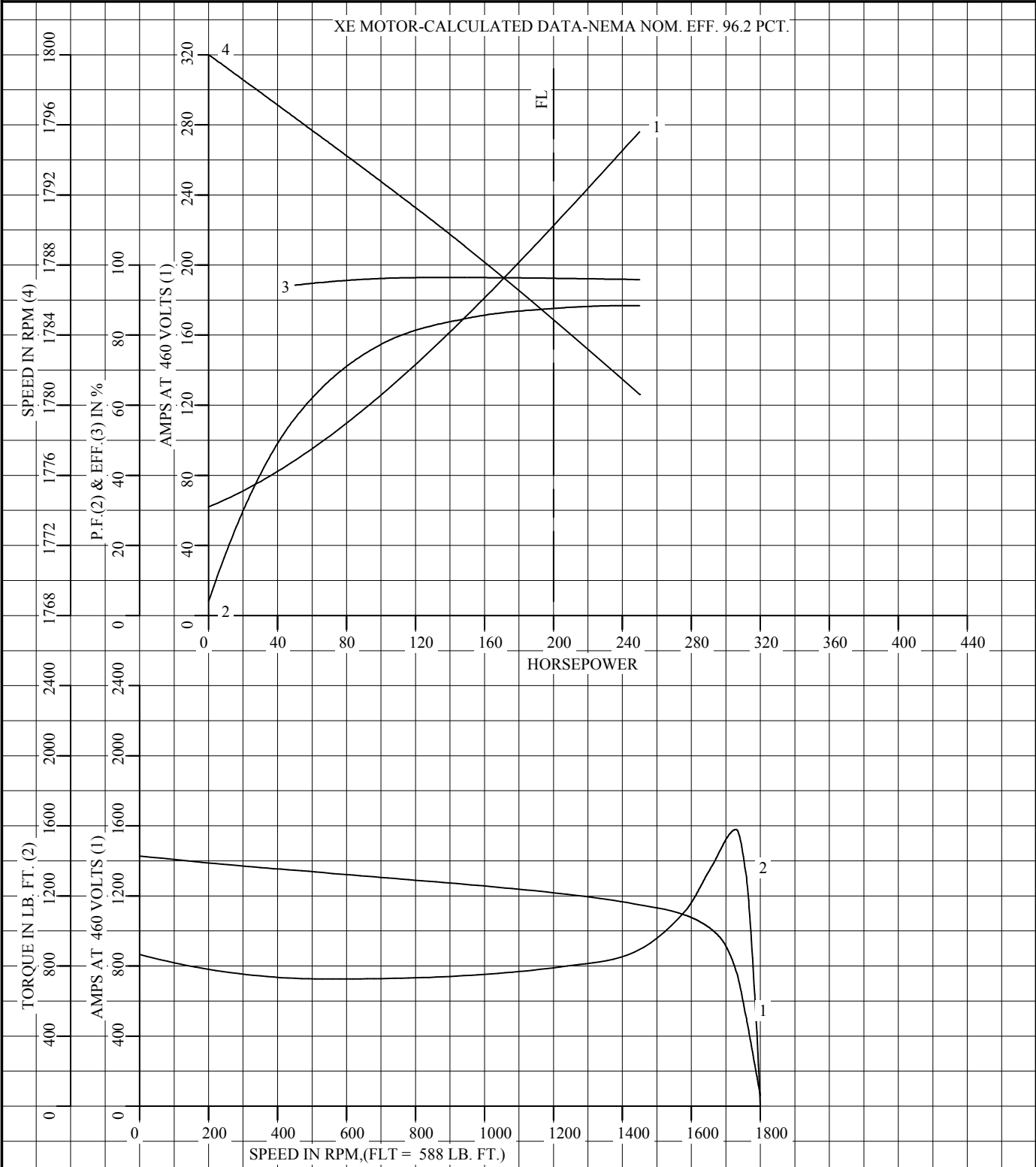
REMARKS: TYPICAL DATA
XE MOTOR-CALCULATED DATA-NEMA NOM. EFF. 96.2 PCT.



DR. BY T.G.KELATI
CK. BY E.J.CHRISTIAN
APP. BY E.J.CHRISTIAN
DATE 07/06/17

**A-C MOTOR
PERFORMANCE A44WG0690-R001
DATA** ISSUE DATE 05/03/21

REL S.O.	RPM 1785	S.F. 1.15	ROTOR 418143052CE
FRAME 447TD	VOLTS 460	NEMA DESIGN B	TEST S.O. TYPICAL DATA
HP 200	AMPS 222	CODE LETTER G	TEST DATE ---
TYPE P	DUTY CONT	ENCLOSURE TEFC	STATOR RES. @ 25 °C .0169
PHASE/HERTZ 3/60	AMB °C/INSUL 40/F	E/S ---	OHMS (BETWEEN LINES)



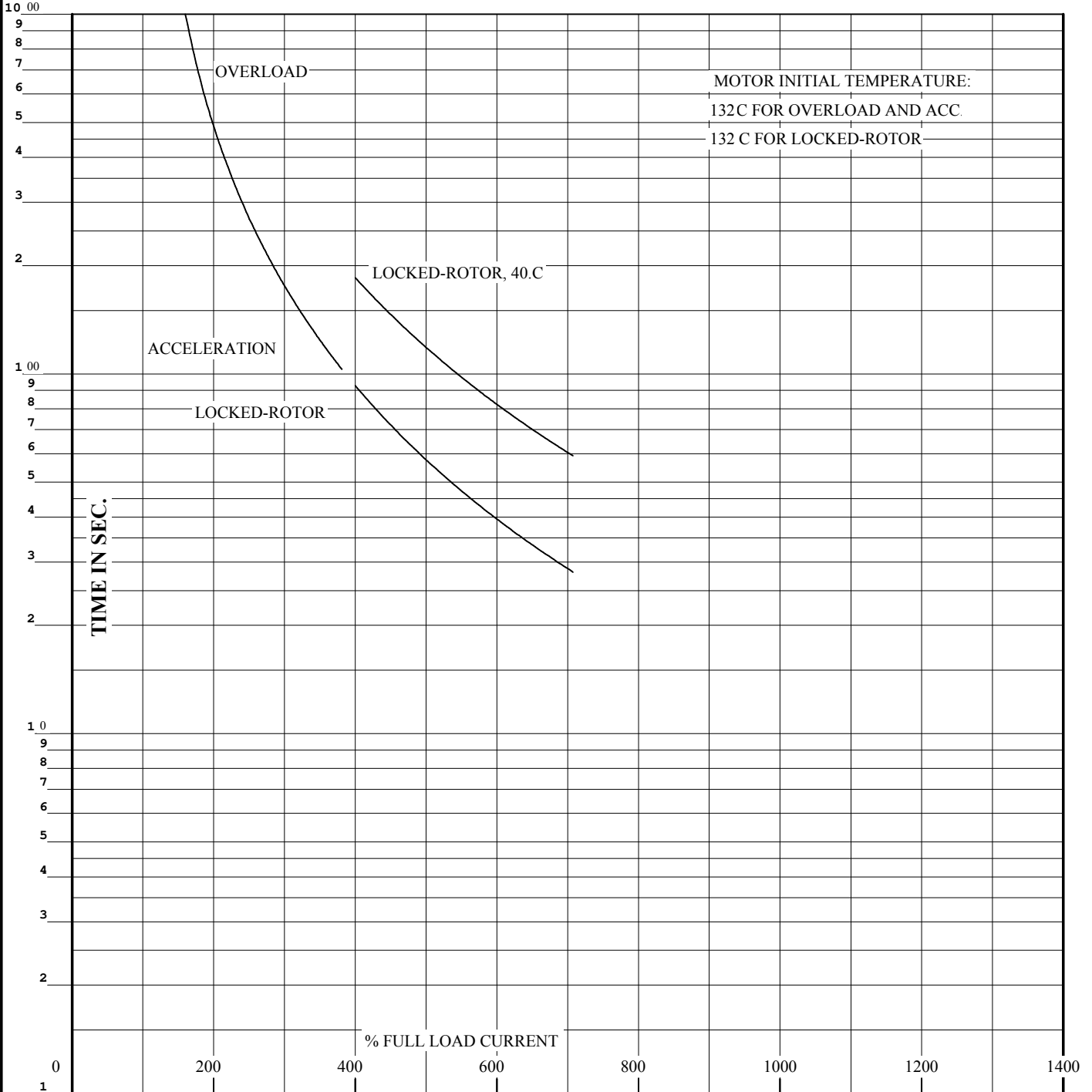
AMPERES SHOWN FOR 460 VOLT CONNECTION, IF OTHER VOLTAGE CONNECTIONS ARE AVAILABLE, THE AMPERES WILL VARY INVERSELY WITH THE RATED VOLTAGE.



DR. BY T.G.KELATI
 CK. BY E.J.CHRISTIAN
 APP. BY E.J.CHRISTIAN
 DATE 07/06/17

**A-C MOTOR
 PERFORMANCE CURVES** A44WG0690-R001
 ISSUE DATE 05/03/21

REL. S.O.	RPM 1785	S.F. 1.15	ROTOR 418143052CE
FRAME 447TD	VOLTS 460	NEMA DESIGN B	TEST S.O. TYPICAL DATA
HP 200	AMPS 222	CODE LETTER G	TEST DATE ---
TYPE P	DUTY CONT	ENCLOSURE TEFC	STATOR RES. @ 25 °C .0169
PHASE/HERTZ 3/60	AMB °C/INSUL 40/F	E/S ---	OHMS (BETWEEN LINES)



THERMAL LIMIT CURVE

REMARKS: XE MOTOR-CALCULATED DATA-NEMA NOM. EFF. 96.2 PCT.

AMPERES SHOWN FOR 460 VOLT CONNECTION, IF OTHER VOLTAGE CONNECTIONS ARE AVAILABLE, THE AMPERES WILL VARY INVERSELY WITH THE RATED VOLTAGE.



DR. BY T.G.KELATI
 CK. BY E.J.CHRISTIAN
 APP. BY E.J.CHRISTIAN
 DATE 07/06/17

**A-C MOTOR
PERFORMANCE
CURVES** **A44WG0690-R001**
 ISSUE DATE 05/03/21 Page 8 of 10

DUTY MASTER ALTERNATING CURRENT MOTORS

SQUIRREL-CAGE INDUCTION

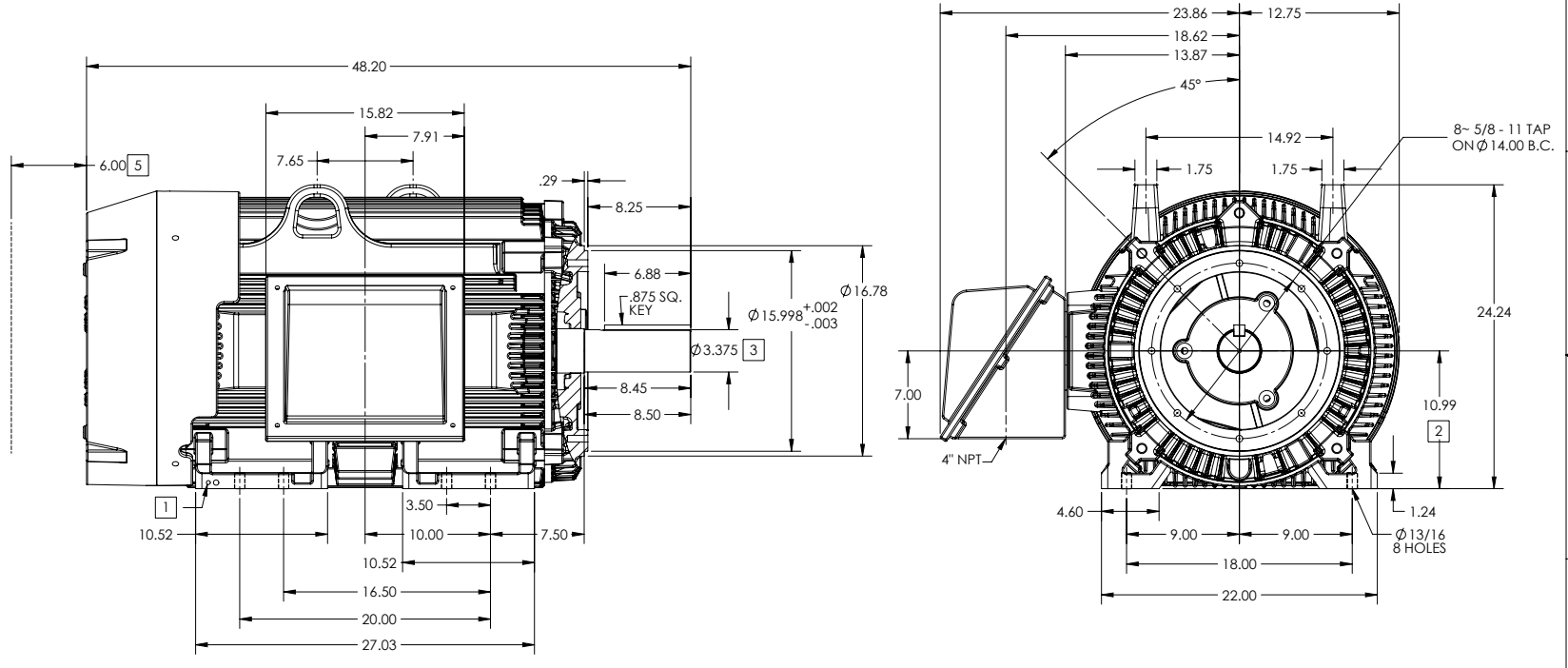
ENCLOSURE: TOTALLY ENCLOSED

FRAME G447TC ABOVE NEMA RATINGS

COOLING: FAN COOLED

MOUNTING: FOOT, NEMA "C" FACE

INCLUDES 445TC FRAME MOUNTING HOLES



- 1. GROUND HOLES QTY 1 1/2-13 TAP; QTY 1 3/8-16 TAP
 - 2. VARIES +.00, -.06
 - 3. VARIES +.000, -.001
 - 4. MOTOR WEIGHTS MAY VARY BY 15% DEPENDING ON RATING.
 - 5. OBSTRUCTION MUST NO ENCR OACH ON AIR INLET.
- FACE RUNOUT AND ECCENTRICITY = .007 T.I.R. MAX

[4] WEIGHT (LBS): 2515

CONDUIT BOX LOCATED ON OPPOSITE SIDE WHEN F-2.
IF MOUNTING CLEARANCE DETAILS ARE REQUIRED, CONSULT FACTORY.
MAXIMUM PERMISSIBLE SHAFT RUNOUT WHEN MEASURED AT END OF
STANDARD SHAFT EXTENSION IS .003" T.I.R. TO 5 INCH DIA.

DIMENSIONS ARE IN INCHES
CUSTOMER IS RESPONSIBLE FOR DETERMINING THAT MOTOR PERFORMANCE IS SUITABLE IN THE APPLICATION.

SHEET NUMBER
1 OF 1
F10727-19

REV. DESC: ADD AK TOL. & NOTE FOR FACE RUNOUT / ECCENTRICITY			
REV: D	VERSION: 04	REVISED: 02-30-26 04/20/2021	TDR: 000001166213
MODEL NO. 617427-014		REF:	
BY: RAGGDM	Material:	C	

BALDOR
G447TC-445TC STD - FOOTED - SIDE-CENTER C/B

617427-014

416820-036

A-C MOTOR
CONNECTION DIAGRAM
STANDARD 3 LEAD CONNECTED



(N.P. 1575-BA)

416820-036

REV. DESC: LOADED TO BUS, C/R 335225		
REV. LTR: -	VERSION: 00	TDR: 000000538207
FILE: \MGA\00000\682	REVISED: 11: 54: 06 04/30/2010	
MTL: -	BY: RAGRA	

BALDOR
CONN DIAG - STANDARD 3 LEAD
SH 1 of 1