



Customer information packet

CECP4400T-4

100HP, 1780, 3PH, 60HZ, 405TC, TEFC

Class - CLI GP A,B,C,D

Division - Division II

Specifications

Enclosure	TEFC
Frame	405TC
Frame Material	Iron
Frequency	60.00 Hz
Haz Area Class and Group	CLI GP A,B,C,D
Haz Area Division	Division II
Motor Letter Type	Three Phase
Output @ Frequency	100.000 HP @ 60 HZ
Phase	3
Synchronous Speed @ Frequency	1800 RPM @ 60 HZ
Voltage @ Frequency	460.0 V @ 60 HZ
Agency Approvals	CCSAUSEEV
Ambient Temperature	40 °C
Auxiliary Box	NO AUXILLARY BOX
Base Indicator	Rigid
Bearing Grease Type	Polyrex EM (-20F +300F)
Constant Torque Speed Range	10-60
Current @ Voltage	112.000 A @ 460.0 V
Design Code	B
Drip Cover	No Drip Cover
Duty Rating	CONT
Efficiency @ 100% Load	95.4 %
Feedback Device	NO FEEDBACK
Haz Area Temp Code	T2D
Heater Indicator	No Heater
High Voltage Full Load Amps	112.0 a
Insulation Class	F
Inverter Code	Inverter Ready
KVA Code	G
Lifting Lugs	No Lifting Lugs
Motor Lead Quantity/Wire Size	3 @ 2 AWG
Motor Standards	NEMA

Part detail

Revision	L
Type	AC
Mech. spec.	
Base	
Status	PRD/A
Elec. spec.	A40WGO664
Layout	617429-503
Eff. date	10-24-2024
CD Diagram	416820-036
Poles	04
Leads	3#2
Proprietary	False
Created date	02-06-2014

Motor Type	A40064M
Mounting Arrangement	F1
Number of Poles	4
Overall Length	38.20 IN
Power Factor	87
Pulley End Bearing Type	Ball
Pulley Face Code	C-Face
Service Factor	1.15
Shaft Diameter	2.875 IN
Shaft Ground Indicator	No Shaft Grounding
Shaft Rotation	Reversible
Shaft Slinger Indicator	Shaft Slinger
Speed	1785 rpm
Speed Code	Single Speed
Starting Method	Direct on line
Thermal Device - Bearing	None
Thermal Device - Winding	None

Nameplate

NP2496L
EXXON POLYREX EM

NP3238

CAT NO	CECP4400T-4	SPEC NO.	A40-4928-0664						
HP	100	AMPS	112	VOLTS	460	DESIGN	B		
FRAME	405TC	RPM	1785	HZ	60	AMB	40	SF	1.15
D.E. BRG.DATA	6316	O.D.E. BRG.DATA	6316	PH	3	DUTY	CONT	INSUL.CLASS	F
D.E. BRG.	80BC03J30X	TYPE	P	ENCL	TEFC	CODE	G		
O.D.E. BRG.	80BC03J30X	POWER FACTOR	87	NEMA NOM EFFICIENCY	95.4				
3/4 LOAD EFF.	95.7	MAX CORR KVAR	18.0	GUARANTEED EFFICIENCY	94.5				
TEMP CODE	T2D	TEMP =	215						
CHP HZ	60-90	CT HZ	10-60	VT HZ	0-60				
INVERTER-TEMP-CODE	T2D								
SER.NO.		MOTOR WEIGHT							

REL. S. O.	FRAME	HP	TYPE	PHASE/HERTZ	RPM	VOLTS
	405TSC	100	P	3/60	1785	460
AMPS	DUTY	AMB °C/ INSUL.	S. F.	NEMA DESIGN	CODE LETTER	ENCL.
112	CONT	40/F	1.15	B	G	TEFC
E/S	ROTOR	TEST S. O.	TEST DATE	STATOR RES. @25 °C (BETWEEN LINES)		
596909	418142-33-RE	---	---	---		.0492

PERFORMANCE

LOAD	HP	AMPERES	RPM	% POWER FACTOR	% EFFICIENCY
NO LOAD	0	28.7	1800	5.48	0
1/4	25.0	39.2	1796	64.3	93.0
2/4	50.0	59.4	1792	82.6	95.4
3/4	75.0	84.4	1788	86.9	95.7
4/4	100	112	1783	87.6	95.4
5/4	125	141	1778	87.4	94.9

SPEED TORQUE

	RPM	TORQUE % FULL LOAD	TORQUE LB.-FT.	AMPERES
LOCKED ROTOR	0	151	445	725
PULL UP	360	136	400	706
BREAKDOWN	1721	250	735	382
FULL LOAD	1783	100	295	112

AMPERES SHOWN FOR 460. VOLT CONNECTION. IF OTHER VOLTAGE CONNECTIONS ARE AVAILABLE, THE AMPERES WILL VARY INVERSELY WITH THE RATED VOLTAGE

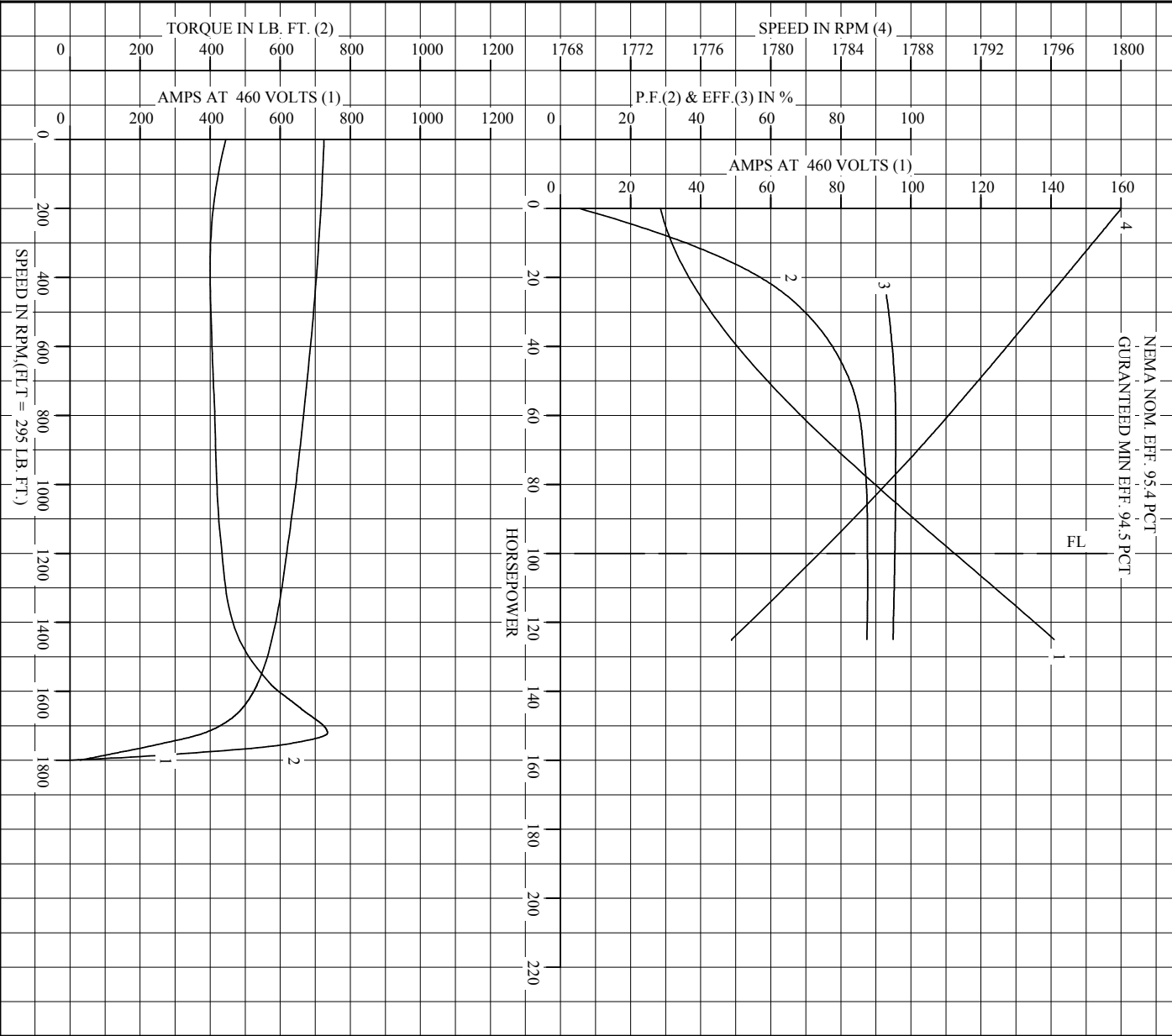
REMARKS: TYPICAL DATA
NEMA NOM. EFF. 95.4 PCT
GURANTEED MIN EFF. 94.5 PCT



DR. BY B. R. PENDLEY
CK. BY W. L. SMITH
APP. BY W. L. SMITH
DATE 12/5/10

A-C MOTOR PERFORMANCE DATA
A40WG0664-R006
ISSUE DATE 07/30/19

REL. S. O.		RPM	1785	S. F.	1.15	ROTOR	4181A2-33-RE
FRAME	405TSC	VOLTS	460	NEMA DESIGN	B	TEST S. O.	TYPICAL DATA
HP	100	AMPS	112	CODE LETTER	G	TEST DATE	---
TYPE	P	DUTY	CONT	ENCLOSURE	TEFC	STATOR RES. @ 25 °C	.0492
PHASR./HERTZ	3/60	AMB °/INSUL	40/F	E/S	596909	OHMS (BETWEEN LINES)	



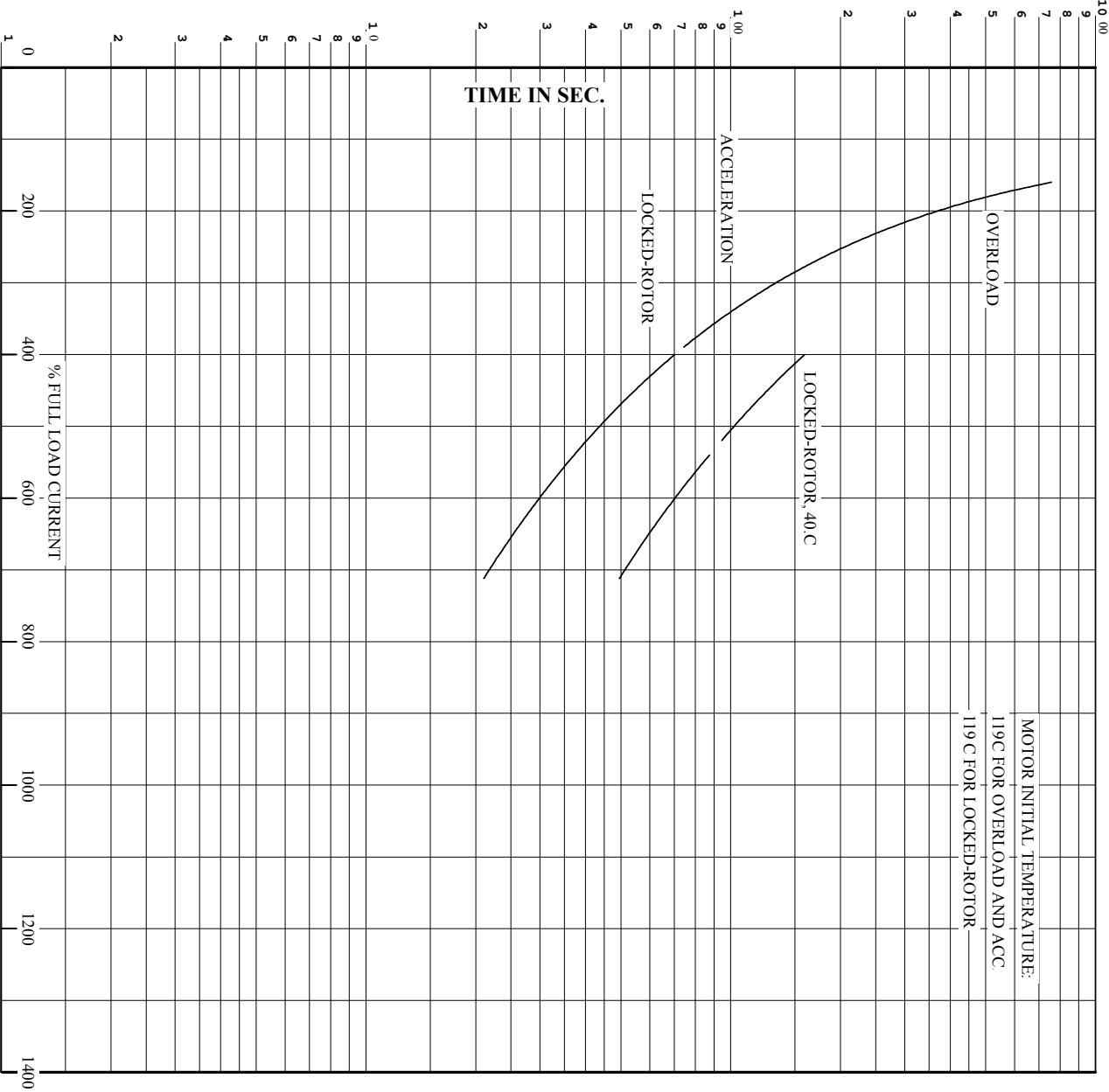
AMPERES SHOWN FOR 460 VOLT CONNECTION. IF OTHER VOLTAGE CONNECTIONS ARE AVAILABLE, THE AMPERES WILL VARY INVERSELY WITH THE RATED VOLTAGE.

BALDOR
A MEMBER OF THE ABB GROUP

DR. BY B.R. PENDLEY
CK. BY W.L. SMITH
APP. BY W.L. SMITH
DATE 12/5/10

A-C MOTOR
PERFORMANCE
CURVES
A40W G0664-R006
ISSUE DATE 07/30/19

REL. S.O. FRAME 405TSC RPM 1785 S.F. 1.15 ROTOR 418142-33-RE
 HP 100 VOLTS 460 NEMA DESIGN B TEST S.O. TYPICAL DATA
 TYPE P AMPS 112 CODE LETTER G TEST DATE ---
 PHASE/HERTZ 3/60 DUTY CONT ENCLOSURE TEFC STATOR RES @ 25 °C. 0.492
 AMB °C/INSUL 40/F E/S 596909 OMS (BETWEEN LINES)



REMARKS:
 THERMAL LIMIT CURVE
 NEMA NOM. EFF. 95.4 PCT
 GUARANTEED MIN EFF. 94.5 PCT

AMPERES SHOWN FOR 460 VOLT CONNECTION, IF OTHER VOLTAGE CONNECTIONS ARE AVAILABLE, THE AMPERES WILL VARY INVERSELY WITH THE RATED VOLTAGE.

BALDOR A MEMBER OF THE ABB GROUP	DR. BY	B.R. PENDLEY	A-C MOTOR
	CK. BY	W.L. SMITH	
	APP. BY	W.L. SMITH	PERFORMANCE
	DATE	12/5/10	CURVES
			A40WG0664-R006
			ISSUE DATE 07/30/19

DUTY MASTER ALTERNATING CURRENT MOTORS

SQUIRREL-CAGE INDUCTION

ENCLOSURE: TOTALLY ENCLOSED

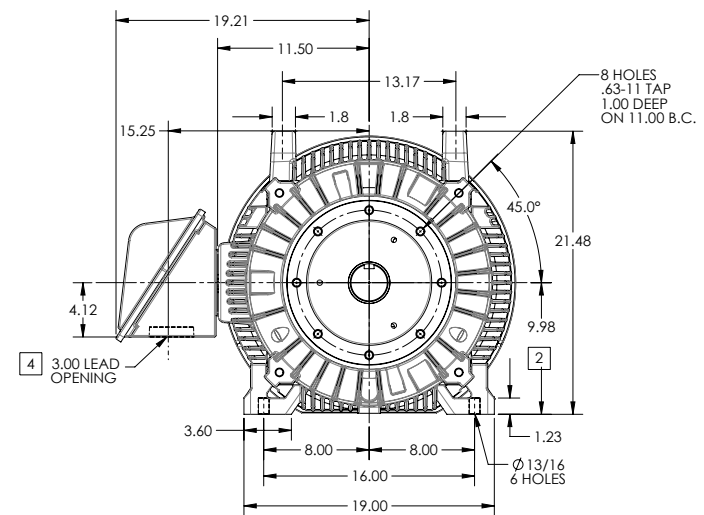
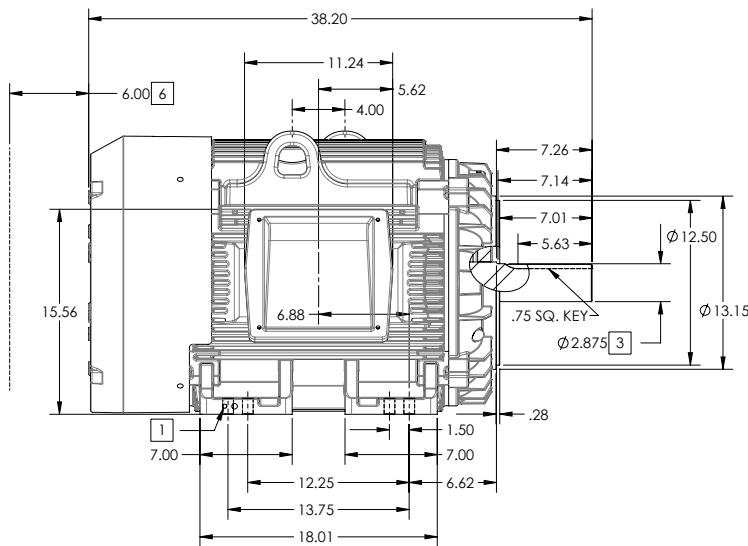
FRAME G405TC ABOVE NEMA RATINGS

COOLING: FAN COOLED

MOUNTING: FOOT

INCLUDES 404TC FRAME MOUNTING HOLES

XT/ECP SEVERE DUTY ENCLOSURE



1. GROUND HOLES QTY 1 1/2-13 TAP; QTY 1 3/8-16 TAP
2. VARIES +.00-.06
3. VARIES +.000-.001
4. ON STANDARD MOTORS THIS IS CONDUIT SIZE. ON XT AND CORROSION PROOF MOTOR THIS IS PIPE TAP.
5. MOTOR WEIGHTS MAY VARY BY 15% DEPENDING ON RATING.
6. OBSTRUCTION MUST NOT ENCROACH ON AIR INLET
7. MAX FACE RUNOUT AND FIT ECCENTRICITY = 0.007 T.I.R.

[5] WEIGHT (LBS): 1370

CONDUIT BOX LOCATED ON OPPOSITE SIDE WHEN F-2.
IF MOUNTING CLEARANCE DETAILS ARE REQUIRED, CONSULT FACTORY.
MAXIMUM PERMISSIBLE SHAFT RUNOUT WHEN MEASURED AT END OF STANDARD SHAFT EXTENSION IS .003" T.I.R. TO 5 INCH DIA.

DIMENSIONS ARE IN INCHES; SEE SHEET 2 FOR DIMENSIONS IN MILLIMETERS

CUSTOMER IS RESPONSIBLE FOR DETERMINING THAT MOTOR PERFORMANCE IS SUITABLE IN THE APPLICATION.

SHEET NUMBER
1 OF 2

605-627219

REV. DESC: CHANGE BA FROM 6.76 TO 6.62	TDR: 00000848770
REV: B VERSION: 02	REVISED: 01-18-01 04/14/2014
MODEL NO. 617429-503	REF:
BY: MGHMMZ	Material:

BALDOR

G405TC/404TC STD - FOOTED - XT/ECP SEVERE DUTY ENCLOSURE

DUTY MASTER ALTERNATING CURRENT MOTORS

SQUIRREL-CAGE INDUCTION

ENCLOSURE: TOTALLY ENCLOSED

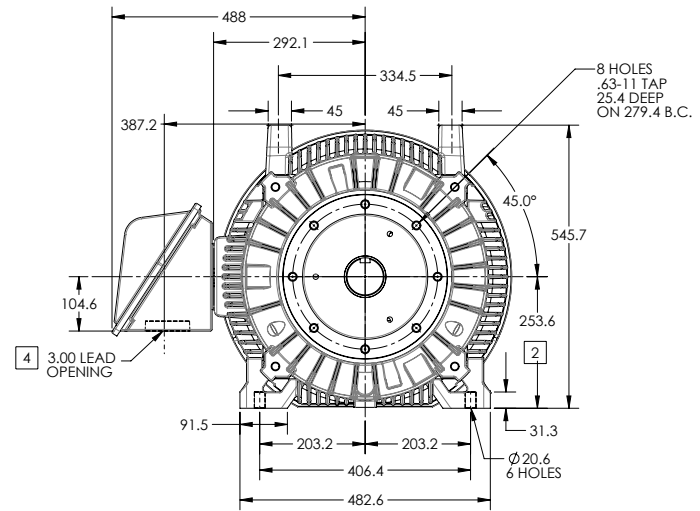
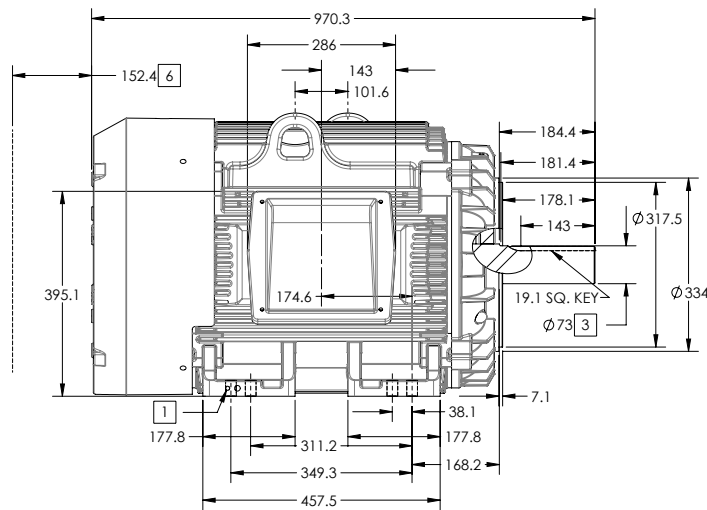
FRAME G405TC ABOVE NEMA RATINGS

COOLING: FAN COOLED

MOUNTING: FOOT

INCLUDES 404TC FRAME MOUNTING HOLES

XT/ECP SEVERE DUTY ENCLOSURE



1. GROUND HOLES QTY 1 1/2-13 TAP; QTY 1 3/8-16 TAP
2. VARIES +0, -1.5
3. VARIES +.00, -.03
4. ON STANDARD MOTORS THIS IS CONDUIT SIZE. ON XT AND CORROSION PROOF MOTOR THIS IS PIPE TAP.
5. MOTOR WEIGHTS MAY VARY BY 15% DEPENDING ON RATING.
6. OBSTRUCTION MUST NOT ENCROACH ON AIR INLET
7. MAX FACE RUNOUT AND FIT ECCENTRICITY = 0.178 T.I.R.

[5] WEIGHT (KGS): 630

CONDUIT BOX LOCATED ON OPPOSITE SIDE WHEN F-2.
IF MOUNTING CLEARANCE DETAILS ARE REQUIRED, CONSULT FACTORY.
MAXIMUM PERMISSIBLE SHAFT RUNOUT WHEN MEASURED AT END OF STANDARD SHAFT EXTENSION IS .08 MM T.I.R. TO 127 MM DIA.

DIMENSIONS ARE IN MILLIMETERS; SEE SHEET 1 FOR DIMENSIONS IN INCHES

CUSTOMER IS RESPONSIBLE FOR DETERMINING THAT MOTOR PERFORMANCE IS SUITABLE IN THE APPLICATION.

SHEET NUMBER
2 OF 2

105-627-119

REV. DESC: CHANGE BA FROM 6.76 TO 6.62	TDR: 00000848770
REV: B VERSION: 02	REVISED: 01-18-01 04/14/2014
MODEL NO. 617429-503	REF:
BY: MGHMZZ	Material:

BALDOR

G405TC/404TC STD - FOOTED - XT/ECP SEVERE DUTY ENCLOSURE

416820-036

A-C MOTOR
CONNECTION DIAGRAM
STANDARD 3 LEAD CONNECTED



(N.P. 1575-BA)

REV. DESC: LOADED TO BUS, C/R 335225		
REV. LTR: -	VERSION: 00	TDR: 000000538207
FILE: \MGA\00000\682	REVISED: 11: 54: 06 04/30/2010	
MTL: -	BY: RAGRA	

BALDOR

CONN DIAG - STANDARD 3 LEAD
SH 1 of 1

416820-036