

**BALDOR • RELIANCE**

---

# Customer information packet

## CECP4308T

40HP, 1190RPM, 3PH, 60HZ, 364TC, A36062M, TEFC

Class - CLI GP A,B,C,D

Division - Division II

## Specifications

Enclosure	TEFC
Frame	364TC
Frame Material	Iron
Frequency	60.00 Hz
Haz Area Class and Group	CLI GP A,B,C,D
Haz Area Division	Division II
Motor Letter Type	Three Phase
Output @ Frequency	40.000 HP @ 60 HZ
Phase	3
Synchronous Speed @ Frequency	1200 RPM @ 60 HZ
Voltage @ Frequency	230.0 V @ 60 HZ 460.0 V @ 60 HZ
Agency Approvals	CCSAUSEEV NEMA PREMIUM NEMA_PREMIUM UR
Ambient Temperature	40 °C
Auxillary Box	No Auxillary Box
Base Indicator	Rigid
Bearing Grease Type	Polyrex EM (-20F +300F)
Constant Torque Speed Range	6-60
Current @ Voltage	98.800 A @ 230.0 V 49.400 A @ 460.0 V 109.000 A @ 208.0 V
Design Code	B
Drip Cover	No Drip Cover
Duty Rating	CONT
Efficiency @ 100% Load	94.1 %
Feedback Device	NO FEEDBACK
Haz Area Temp Code	T3A
Heater Indicator	No Heater
High Voltage Full Load Amps	49.4 a

## Part detail

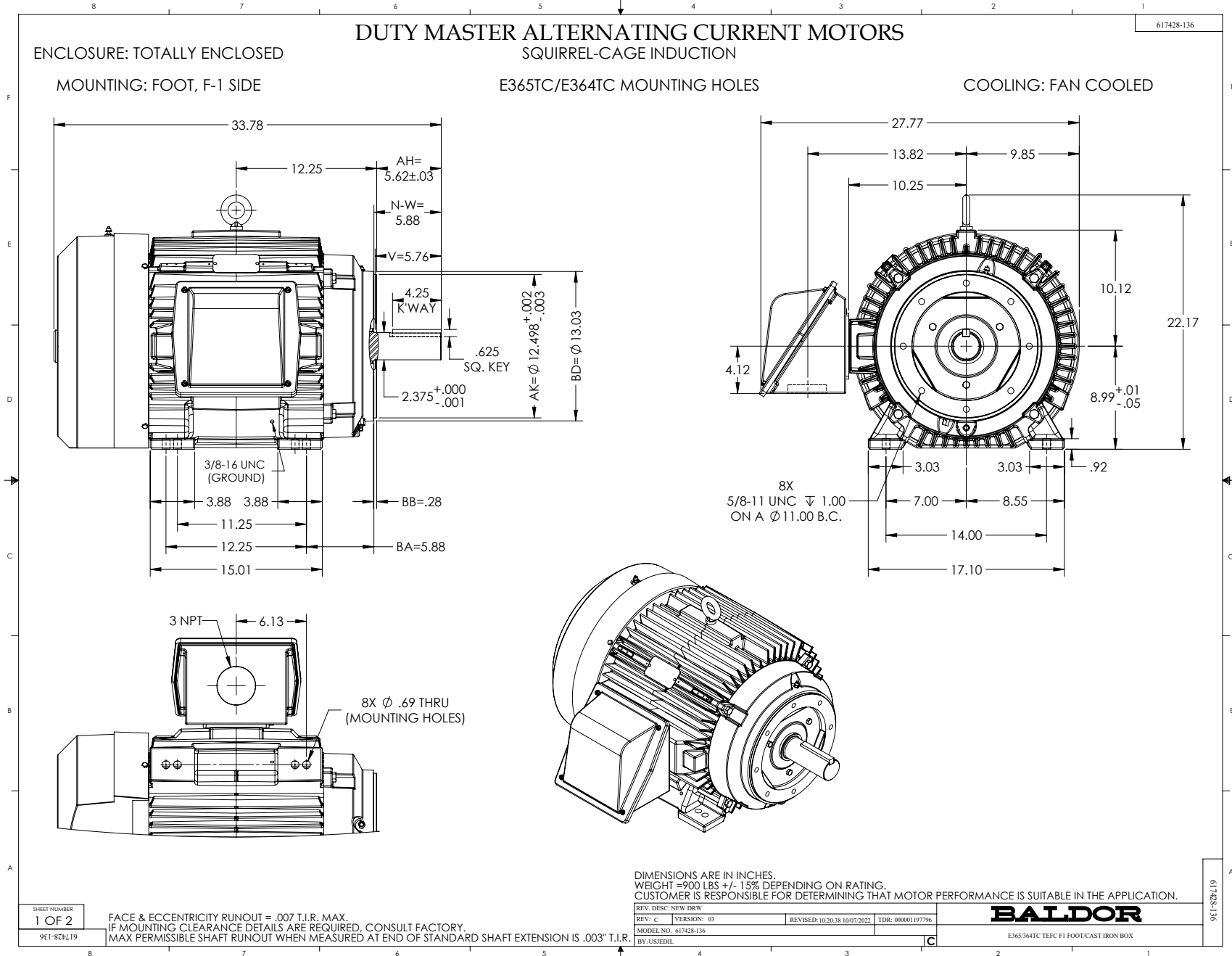
Revision	N
Type	AC
Mech. spec.	
Base	
Status	PRD/A
Elec. spec.	A36WG0747
Layout	617428-136
Eff. date	07-01-2022
CD Diagram	416820-002
Poles	06
Leads	3#4,6#6
Proprietary	False
Created date	11-27-2013

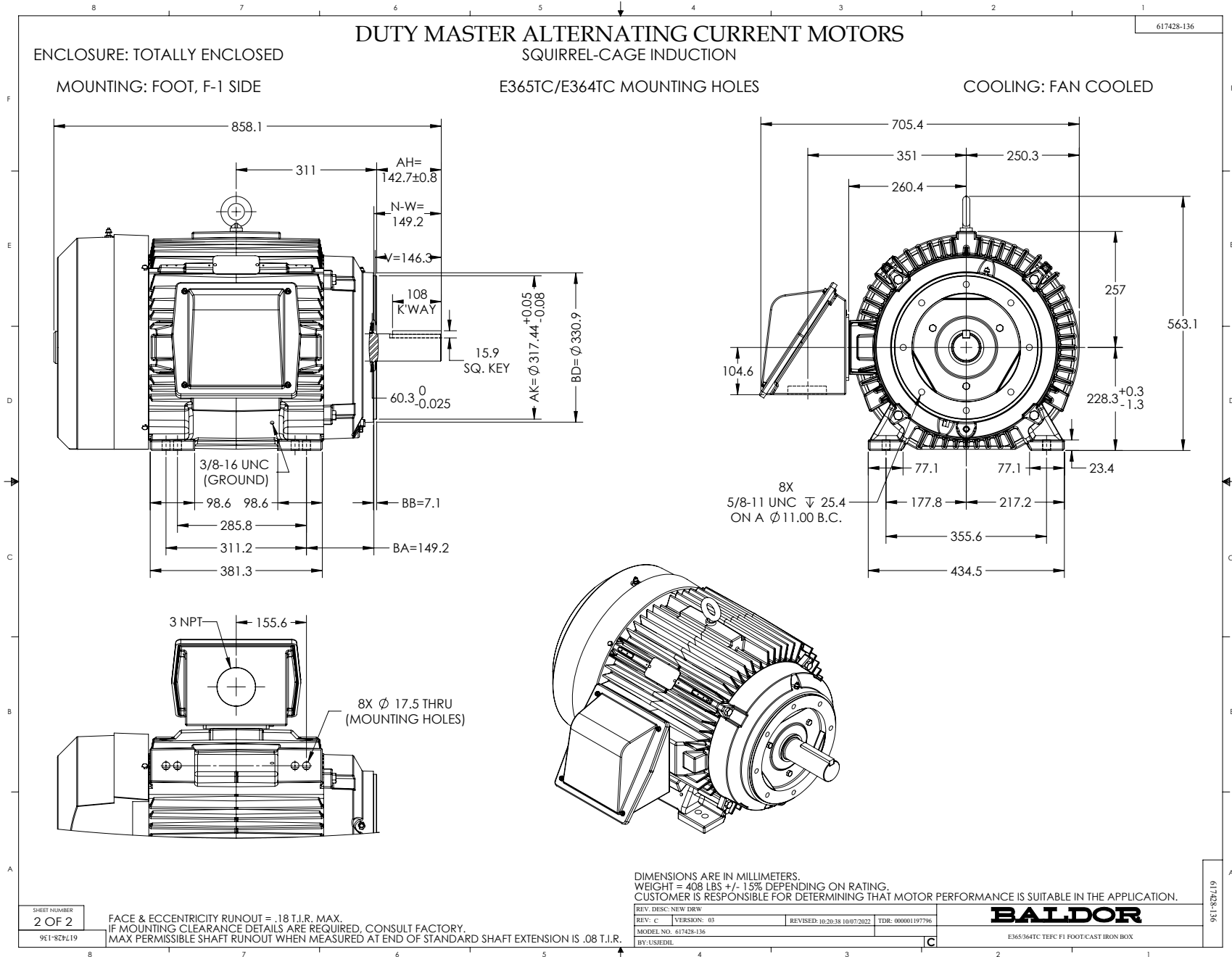
<b>Insulation Class</b>	F
<b>Inverter Code</b>	Inverter Duty
<b>KVA Code</b>	G
<b>Lifting Lugs</b>	Standard Lifting Lugs
<b>Max Speed</b>	2700 rpm
<b>Motor Lead Quantity/Wire Size</b>	3 @ 4 AWG
<b>Motor Standards</b>	NEMA
<b>Motor Type</b>	A36062M
<b>Mounting Arrangement</b>	F1
<b>Number of Poles</b>	6
<b>Overall Length</b>	33.44 IN
<b>Power Factor</b>	80
<b>Product Family</b>	General Industrial
<b>Pulley End Bearing Type</b>	Ball
<b>Pulley Face Code</b>	C-Face
<b>Service Factor</b>	1.15
<b>Shaft Diameter</b>	2.375 IN
<b>Shaft Ground Indicator</b>	No Shaft Grounding
<b>Shaft Rotation</b>	Reversible
<b>Shaft Slinger Indicator</b>	Shaft Slinger
<b>Speed</b>	1190 rpm
<b>Speed Code</b>	Single Speed
<b>Starting Method</b>	Direct on line
<b>Thermal Device - Bearing</b>	None
<b>Thermal Device - Winding</b>	None

**Nameplate**

**NP4033LUA**

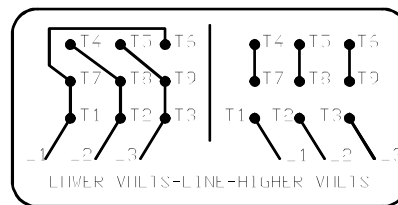
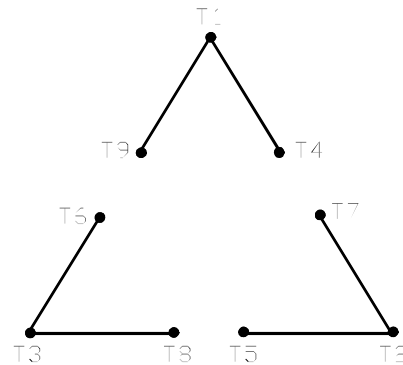
<b>CAT #</b>	CECP4308T			<b>SER</b>				<b>CC</b>	010A			
<b>SPEC</b>	A36-4050-0747			<b>RATING</b>	40C AMB-CONT							
<b>HZ</b>	<b>VOLTS</b>		<b>AMPS</b>		<b>RPM</b>	<b>HP</b>	<b>CODE</b>	<b>SF</b>	<b>DES</b>	<b>PF</b>	<b>NEMA NOM. EFF</b>	
60	230/460		98.8/49.4		1190	40	G	1.15	B	80 %	94.1 %	
										%	%	
<b>PH</b>	3	<b>CL</b>	F	<b>MAX RPM</b>	2700	<b>MAX CORR KVAR</b>	12	<b>USABLE AT 208V</b>			N/A	A
<b>BRG</b>	<b>DE</b>	6313	<b>ODE</b>	6313	<b>ENCL</b>	TEFC	<b>FR</b>	364TC	<b>IP</b>	55		
<b>GREASE</b>	POLYREX EM						<b>MTR WT</b>	889	<b>LBS</b>			
	<b>CL I DIV 2 GRPS A,B,C,D</b>				<b>CL I ZONE 2 GRPS</b>			<b>IIA,IIB,IIC</b>		<b>TEMP T</b>	200	<b>C</b>
<b>INV READY</b>	<b>CT</b>	15-60	<b>HZ</b>	4:1	<b>VT</b>	3-60	<b>HZ</b>	20:1	<b>CHP</b>	60-90	<b>HZ</b>	1.5:1
<b>INV TEMP CL</b>	200	<b>C</b>	<b>USABLE AT</b>	50HZ 30HP 190/380V 98/49A						SF1.0		





416820-002

A-C MOTOR  
 CONNECTION DIAGRAM  
 STANDARD 9 LEAD DELTA-CONNECTED



(N.P. 1575-B)

416820-002

REV. DESC: FONT CHANGE FOR PDF SEARCHABLE		
REV. LTR: A	VERSION: 01	TDR: 000001009382
FILE: \MGA\00000\661	REVISED: 02:46:19 02/13/2020	BY: MGHMTT
MTL: -	© □	

**BALDOR - RELIANCE®**

CONN DIAG - STANDARD 9 LEAD, DELTA-CONNECTED

SH 1 of 1