

ABB BALDOR RELIANCE III

Customer information packet

CECP4109T

40HP, 3540RPM, 3PH, 60HZ, 324TSC, 1240M, TEFC

Class - CLI GP A,B,C,D

Division - Division II

Specifications

Enclosure	TEFC
Frame	324TSC
Frame Material	Iron
Frequency	60.00 Hz
Haz Area Class and Group	CLI GP A,B,C,D
Haz Area Division	Division II
Motor Letter Type	Three Phase
Output @ Frequency	40.000 HP @ 60 HZ
Phase	3
Synchronous Speed @ Frequency	3600 RPM @ 60 HZ
Voltage @ Frequency	230.0 V @ 60 HZ 460.0 V @ 60 HZ
Agency Approvals	CSA EEV NEMA PREMIUM NEMA_PREMIUM UR CCSA US
Ambient Temperature	40 °C
Auxiliary Box	NO AUXILLARY BOX
Auxiliary Box Lead Termination	None
Base Indicator	Rigid
Bearing Grease Type	Polyrex EM (-20F +300F)
Blower	None
Constant Torque Speed Range	6
Current @ Voltage	90.000 A @ 230.0 V 45.000 A @ 460.0 V
Design Code	A
Drip Cover	No Drip Cover
Duty Rating	CONT
Efficiency @ 100% Load	93.0 %
Electrically Isolated Bearing	Not Electrically Isolated
Enclosure Modification	Severe Duty Features

Part Detail

Revision	Z
Type	AC
Mech. spec.	12F981
Base	
Status	PRD/A
Elec. spec.	12WGX906
Layout	12LYF981
Eff. date	10-16-2025
CD Diagram	CD0180
Poles	02
Leads	9#8
Proprietary	False
Created date	01-17-2011

Feedback Device	NO FEEDBACK
Front Face Code	Standard
Front Shaft Indicator	None
Haz Area Temp Code	T3
Heater Indicator	No Heater
High Voltage Full Load Amps	45.0 a
Insulation Class	F
Inverter Code	Inverter Duty
KVA Code	H
Lifting Lugs	Standard Lifting Lugs
Locked Bearing Indicator	Locked Bearing
Max Speed	5400 rpm
Motor Lead Exit	Ko Box
Motor Lead Quantity/Wire Size	9 @ 8 AWG
Motor Lead Termination	Flying Leads
Motor Standards	NEMA
Motor Type	1240M
Mounting Arrangement	F1
Number of Poles	2
Overall Length	28.84 IN
Power Factor	90
Product Family	Super-E Chemical Processing
Pulley End Bearing Type	Ball
Pulley Face Code	C-Face
Pulley Shaft Indicator	Standard
Rodent Screen	None
Service Factor	1.15
Shaft Diameter	1.875 IN
Shaft Extension Location	Pulley End
Shaft Ground Indicator	No Shaft Grounding
Shaft Rotation	Reversible
Shaft Slinger Indicator	Shaft Slinger
Speed	3540 rpm
Speed Code	Single Speed

Starting Method	Direct on line
Thermal Device - Bearing	None
Thermal Device - Winding	None
Vibration Sensor Indicator	No Vibration Sensor
Winding Thermal 1	None
Winding Thermal 2	None

Nameplate

NP3241

CAT.NO.	CECP4109T	P/N		ENCLOSURE	TEFC
SPEC.	12F981X906G1	CC	010A	FRAME	324TSC
HP	40	CLASS	F	HZ	60
RPM	3540	RPM MAX	5400	PH	3
VOLT	230/460	MOTOR WEIGHT	571	ODE BRG	6312
AMP	90/45	SER.F.	1.15	PF	90
RATING	40C AMB-CONT	NEMA-NOM-EFF	93	GREASE	POLYREX EM
				INV.TYPE	PWM
TEMP CODE	T3	INVERTER-TEMP-CODE	200		
TEMP =	200	C HP FR	60	C HP TO	90
CT HZ FROM	6	CT HZ TO	60		
HTR-VOLTS		HTR-AMPS		HTR-WATTS	
				MAX. SPACE HEATER TEMP.	
				VT HZ FROM	3
				VT HZ TO	60

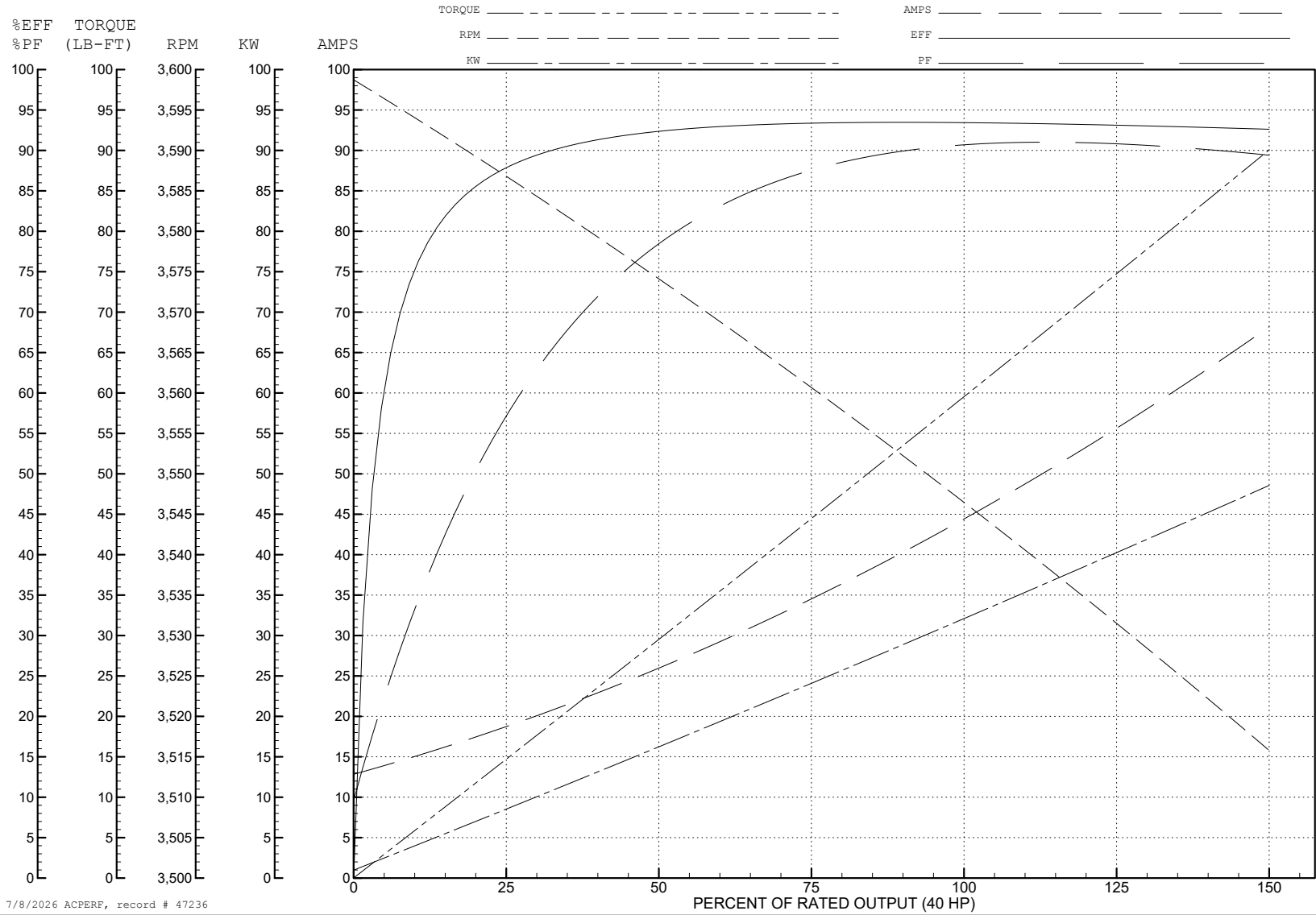
ABB Motors and Mechanical Inc.

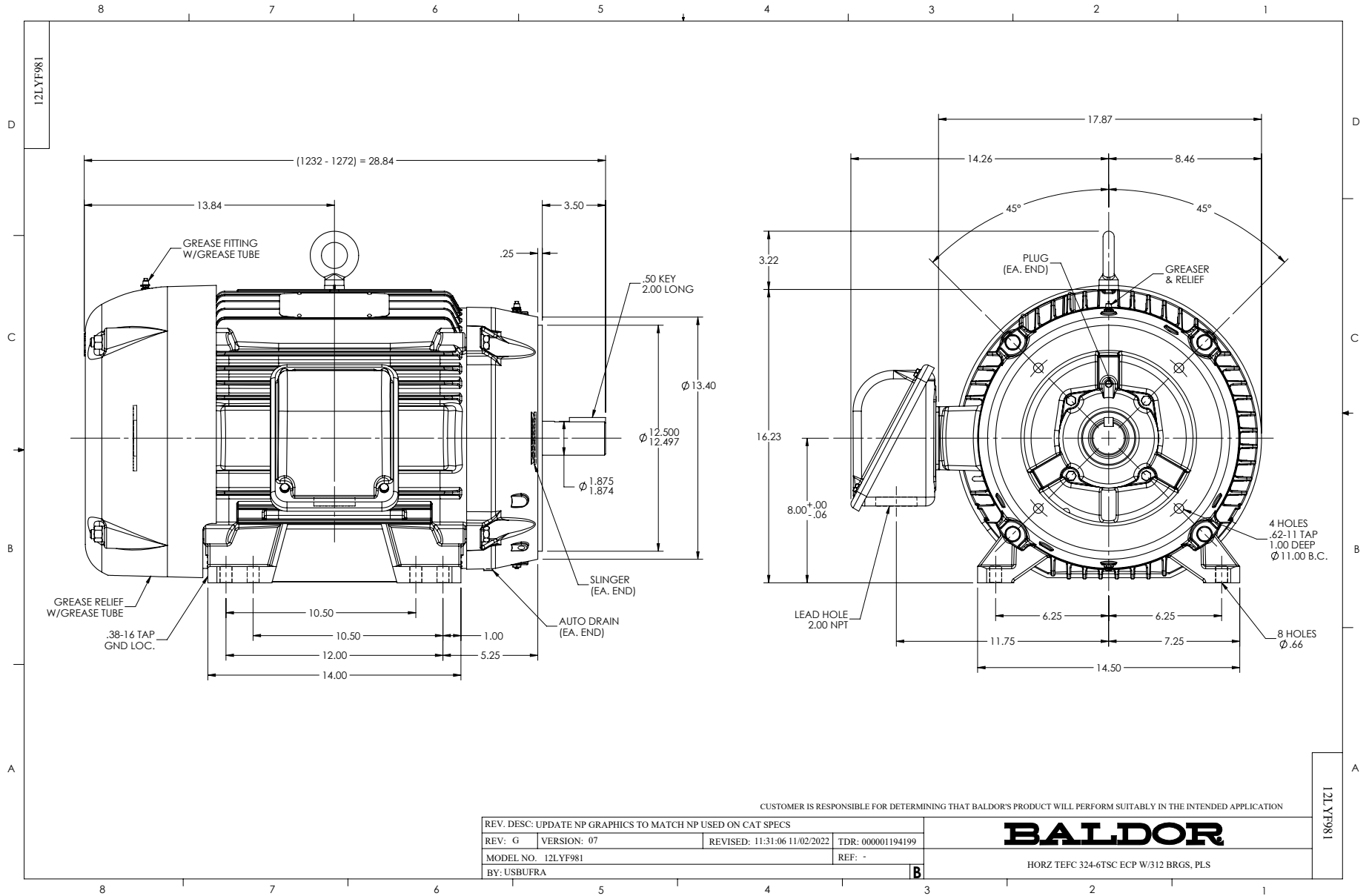
WINDING # 12WGX906

Typical performance - not guaranteed values.

40 HP 3 PH 60 HZ 3540 RPM 460 V 1240M

TORQUES (LB-FT): PO=236 PU=62.9 LR=80.2 LRA=326





CD0180



LOW VOLTAGE
(2D)



HIGH VOLTAGE
(1D)



NOTES:

1. INTERCHANGE ANY TWO LINE LEADS TO REVERSE ROTATION.
2. OPTIONAL THERMOSTATS ARE PROVIDED WHEN SPECIFIED.
3. ACTUAL NUMBER OF INTERNAL PARALLEL CIRCUITS MAY BE A MULTIPLE OF THOSE SHOWN ABOVE.
4. LEAD COLORS ARE OPTIONAL. LEADS MUST ALWAYS BE NUMBERED AS SHOWN.

CD0180

REV. DESC: ADD CLASS CONN00000007		
REV. LTR: D	VERSION: 01	TDR: 000001099922
FILE: \AAA\00005\148	REVISED: 10: 25: 29 02/19/2019	BY: ENBRIRO
MTL: -	© □	

BALDOR - RELIANCE®

3PH, DV, 9 LEADS, DELTA CONNECTION

SH 1 of 1