

ABB BALDOR RELIANCE III

Customer information packet CECP4100T

15HP, 1175RPM, 3PH, 60HZ, 284TC, 1046M, TEFC, F

Class - CLI GP A,B,C,D

Division - Division II

Specifications

Enclosure	TEFC
Frame	284TC
Frame Material	Iron
Frequency	60.00 Hz
Haz Area Class and Group	CLI GP A,B,C,D
Haz Area Division	Division II
Motor Letter Type	Three Phase
Output @ Frequency	15.000 HP @ 60 HZ
Phase	3
Synchronous Speed @ Frequency	1200 RPM @ 60 HZ
Voltage @ Frequency	460.0 V @ 60 HZ 230.0 V @ 60 HZ
Agency Approvals	CCSA US CSA EEV NEMA PREMIUM NEMA_PREMIUM UR
Ambient Temperature	40 °C
Auxiliary Box	NO AUXILLARY BOX
Auxiliary Box Lead Termination	None
Base Indicator	Rigid
Bearing Grease Type	Polyrex EM (-20F +300F)
Blower	None
Constant Torque Speed Range	1.3
Current @ Voltage	42.000 A @ 230.0 V 42.000 A @ 208.0 V 21.000 A @ 460.0 V
Design Code	A
Drip Cover	No Drip Cover
Duty Rating	CONT
Efficiency @ 100% Load	91.7 %
Electrically Isolated Bearing	Not Electrically Isolated

Part Detail

Revision	L
Type	AC
Mech. spec.	10H412
Base	
Status	PRD/A
Elec. spec.	10WGY561
Layout	10LYH412
Eff. date	09-29-2025
CD Diagram	CD0180
Poles	06
Leads	9#10
Proprietary	False
Created date	02-15-2018

Enclosure Modification	Severe Duty Features
Feedback Device	NO FEEDBACK
Front Face Code	Standard
Front Shaft Indicator	None
Haz Area Temp Code	T3C
Heater Indicator	No Heater
High Voltage Full Load Amps	21.0 a
Insulation Class	F
Inverter Code	Inverter Duty
KVA Code	H
Lifting Lugs	Standard Lifting Lugs
Locked Bearing Indicator	Locked Bearing
Max Speed	1800 rpm
Motor Lead Exit	Ko Box
Motor Lead Quantity/Wire Size	9 @ 10 AWG
Motor Lead Termination	Flying Leads
Motor Standards	NEMA
Motor Type	1046M
Mounting Arrangement	F1
Number of Poles	6
Overall Length	28.00 IN
Power Factor	73
Product Family	Super-E Chemical Processing
Pulley End Bearing Type	Ball
Pulley Face Code	C-Face
Pulley Shaft Indicator	Standard
Rodent Screen	None
Service Factor	1.15
Shaft Diameter	1.875 IN
Shaft Extension Location	Pulley End
Shaft Ground Indicator	No Shaft Grounding
Shaft Rotation	Reversible
Shaft Slinger Indicator	Shaft Slinger
Speed	1175 rpm

Speed Code	Single Speed
Starting Method	Direct on line
Thermal Device - Bearing	None
Thermal Device - Winding	None
Vibration Sensor Indicator	No Vibration Sensor
Winding Thermal 1	None
Winding Thermal 2	None

Nameplate

NP3241

CAT.NO.	CECP4100T	P/N		ENCLOSURE	TEFC
SPEC.	10H412Y561G1	CC	010A	FRAME	284TC
HP	15	CLASS	F	HZ	60
RPM	1175	RPM MAX	1800	PH	3
VOLT	230/460	MOTOR WEIGHT	435	ODE BRG	6311
AMP	42/21	SER.F.	1.15	PF	73
RATING	40C AMB-CONT	NEMA-NOM-EFF	91.7	GREASE	POLYREX EM
		INV.TYPE	PWM		
TEMP CODE	T3C	INVERTER-TEMP-CODE	180		
TEMP =	160	C HP FR	60	C HP TO	90
CT HZ FROM	1.3	CT HZ TO	60		
HTR-VOLTS		HTR-AMPS		HTR-WATTS	
		MAX. SPACE HEATER TEMP.		VT HZ FROM	0
				VT HZ TO	60

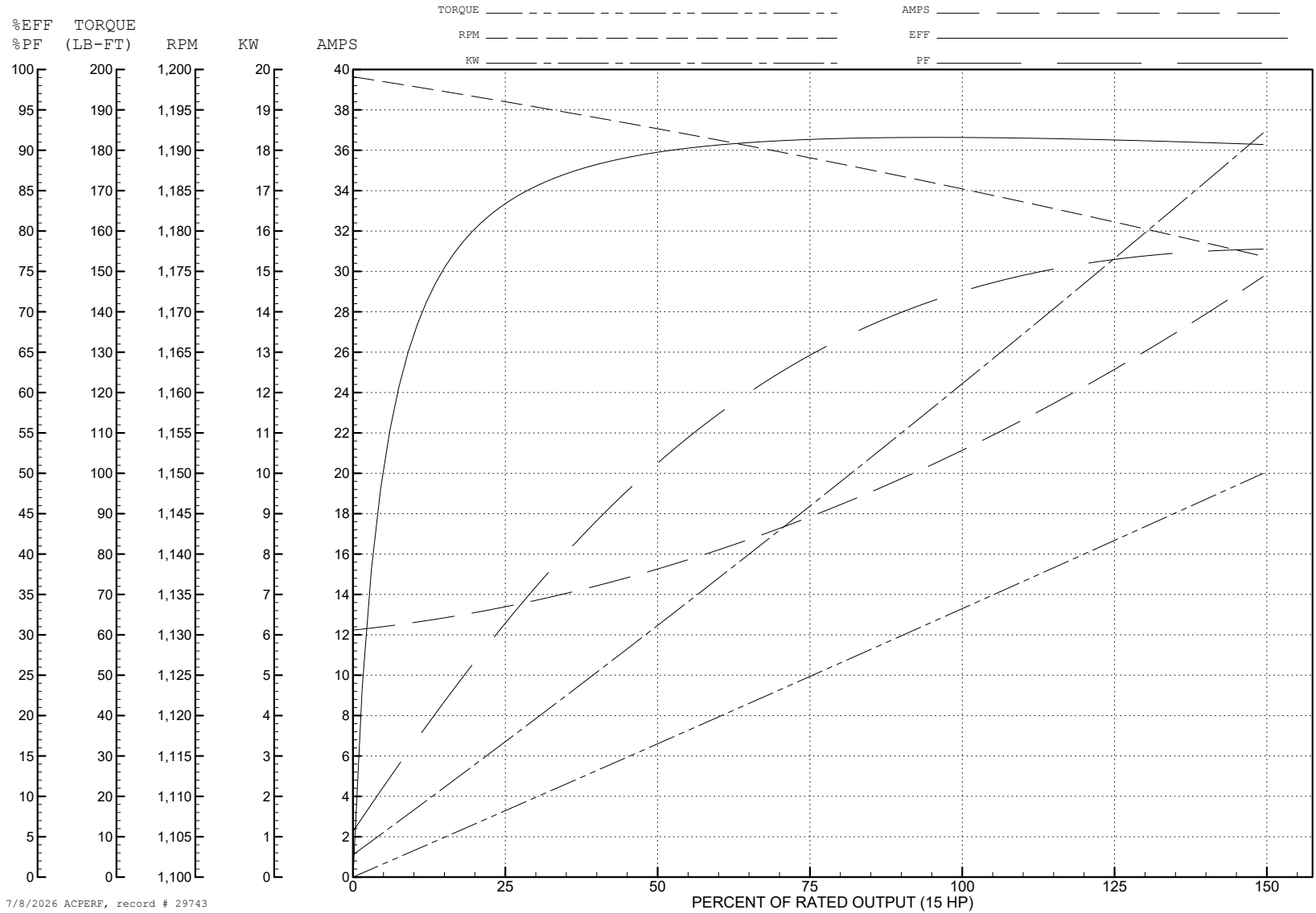
ABB Motors and Mechanical Inc.

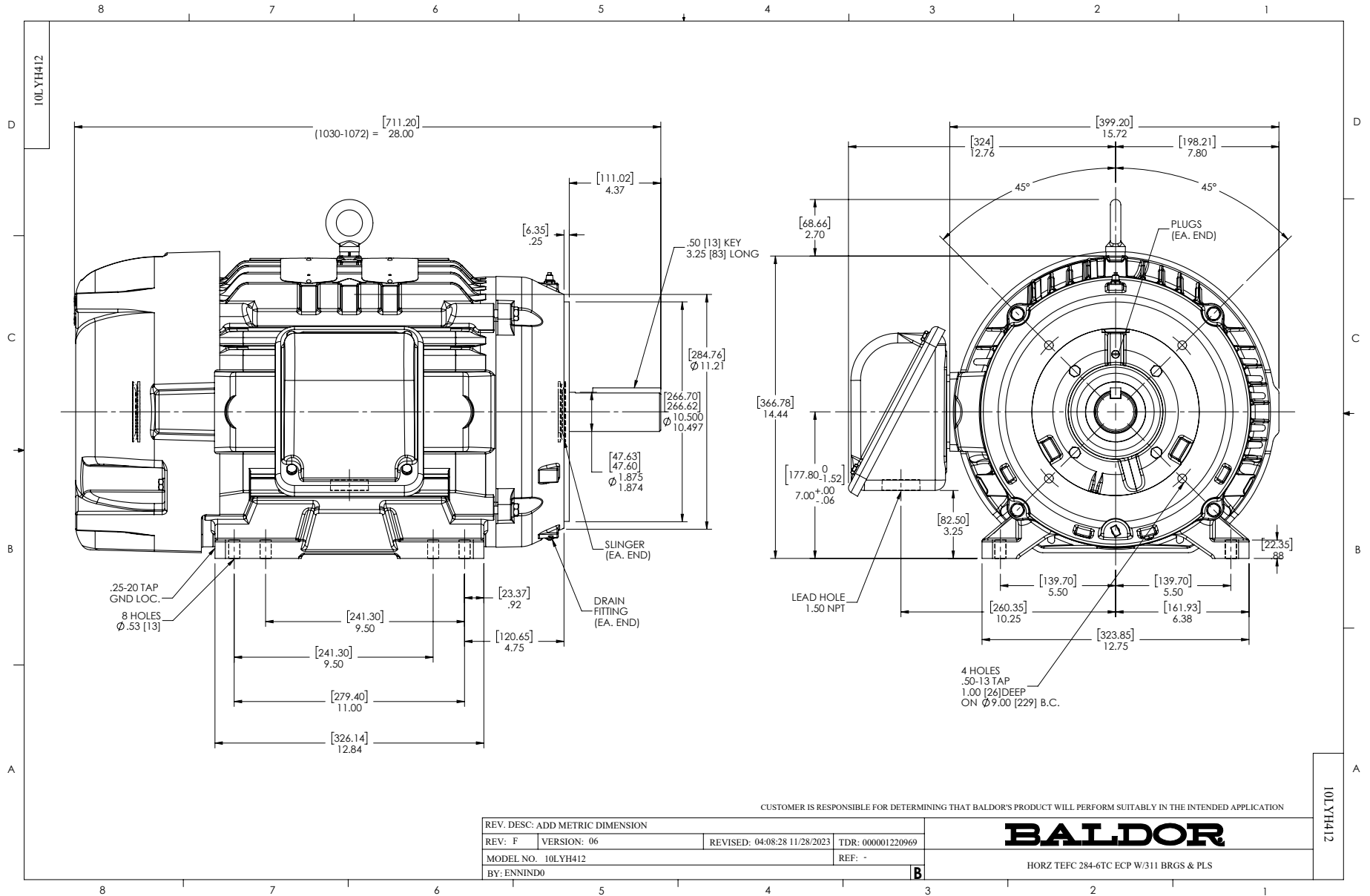
WINDING # 10WGY561

Typical performance - not guaranteed values.

15 HP 3 PH 60 HZ 1175 RPM 460 V 1046M

TORQUES (LB-FT): PO=213 PU=93.1 LR=114 LRA=144

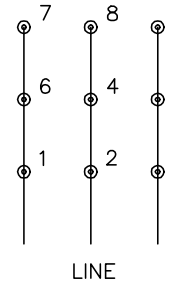




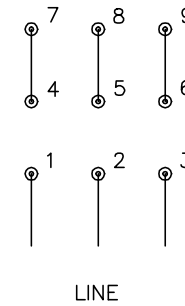
CD0180



LOW VOLTAGE
(2D)



HIGH VOLTAGE
(1D)



NOTES:

1. INTERCHANGE ANY TWO LINE LEADS TO REVERSE ROTATION.
2. OPTIONAL THERMOSTATS ARE PROVIDED WHEN SPECIFIED.
3. ACTUAL NUMBER OF INTERNAL PARALLEL CIRCUITS MAY BE A MULTIPLE OF THOSE SHOWN ABOVE.
4. LEAD COLORS ARE OPTIONAL. LEADS MUST ALWAYS BE NUMBERED AS SHOWN.

CD0180

REV. DESC: ADD CLASS CONN00000007		
REV. LTR: D	VERSION: 01	TDR: 000001099922
FILE: \AAA\00005\148	REVISED: 10: 25: 29 02/19/2019	BY: ENBRIRO
MTL: -	© □	

BALDOR - RELIANCE®

3PH, DV, 9 LEADS, DELTA CONNECTION

SH 1 of 1