



Customer information packet

CECP3587T

2HP, 1760RPM, 3PH, 60HZ, 145TC, 0526M, TEFC, F1

Class - CLI GP A,B,C,D

Division - Division II

Specifications

Enclosure	TEFC
Frame	145TC
Frame Material	Iron
Frequency	60.00 Hz
Haz Area Class and Group	CLI GP A,B,C,D
Haz Area Division	Division II
Motor Letter Type	Three Phase
Output @ Frequency	2.000 HP @ 60 HZ
Phase	3
Synchronous Speed @ Frequency	1800 RPM @ 60 HZ
Voltage @ Frequency	460.0 V @ 60 HZ 230.0 V @ 60 HZ
Agency Approvals	CCSA US CSA EEV NEMA PREMIUM NEMA_PREMIUM UR
Ambient Temperature	40 °C
Auxillary Box	No Auxillary Box
Auxillary Box Lead Termination	None
Base Indicator	Rigid
Bearing Grease Type	Polyrex EM (-20F +300F)
Blower	None
Constant Torque Speed Range	1.5
Current @ Voltage	5.800 A @ 208.0 V 5.600 A @ 230.0 V 2.800 A @ 460.0 V
Design Code	B
Drip Cover	No Drip Cover
Duty Rating	CONT
Efficiency @ 100% Load	86.5 %
Electrically Isolated Bearing	Not Electrically Isolated

Part detail

Revision	D
Type	AC
Mech. spec.	05F007
Base	
Status	PRD/A
Elec. spec.	05WGX509
Layout	05LYF007
Eff. date	06-11-2024
CD Diagram	CD0005
Poles	04
Leads	9#18
Proprietary	False
Created date	03-11-2022

Feedback Device	NO FEEDBACK
Front Shaft Indicator	None
Haz Area Temp Code	T4
Heater Indicator	No Heater
High Voltage Full Load Amps	2.8 a
Insulation Class	F
Inverter Code	Inverter Ready
KVA Code	L
Lifting Lugs	Standard Lifting Lugs
Locked Bearing Indicator	Locked Bearing
Max Speed	2700 rpm
Motor Lead Quantity/Wire Size	9 @ 18 AWG
Motor Lead Termination	Flying Leads
Motor Standards	NEMA
Motor Type	0526M
Mounting Arrangement	F1
Number of Poles	4
Overall Length	13.38 IN
Power Factor	76
Product Family	Chemical Processing (Not DC)
Pulley End Bearing Type	Ball
Pulley Face Code	C-Face
Pulley Shaft Indicator	Standard
Rodent Screen	None
Service Factor	1.15
Shaft Diameter	0.875 IN
Shaft Ground Indicator	No Shaft Grounding
Shaft Rotation	Reversible
Shaft Slinger Indicator	Shaft Slinger
Speed	1760 rpm
Speed Code	Single Speed
Starting Method	Direct on line
Thermal Device - Bearing	None
Thermal Device - Winding	None

Vibration Sensor Indicator**No Vibration Sensor****Winding Thermal 1****None****Winding Thermal 2****None**

Nameplate

NP3258									
CAT.NO.	CECP3587T								
SPEC.	05F007X509G1								
HP	2 TE								
VOLTS	230/460								
AMP	5.6/2.8								
RPM	1760								
FRAME	145TC	HZ	60	PH	3				
SER.F.	1.15	CODE	L	DES	B	CL	F		
RATING	40C AMB-CONT								
SN									
DE	6205	ODE	6205						
NEMA-NOM-EFF	86.5	PF	76						
G.MIN.EFF	84	CC	010A						
T. CODE	T4	T=	135						

NP3261			
SPEC.	05F007X509G1		
D.E. BRG.	25BC02XP30X		
O.D.E. BRG.	25BC02XP30X		
GREASE	POLYREX EM		
RPM MAX	2700	MAX. KVAR	0.62
BLANK	SFA 6.4/3.2		
INV.TYPE	PWM		
T=	135		
C HP FR	60	C HP TO	90
CT HZ FROM	1.5	CT HZ TO	60
VT HZ FROM	-0	VT HZ TO	60
HTR-VOLTS		HTR-AMPS	
HTR-WATTS		MAX. SPACE HEATER TEMP.	

AC Induction Motor Performance Data

Record # 78972

Typical performance - not guaranteed values

Winding: 05WGX509-R001		Type: 0526M		Enclosure: TEFC		
Nameplate Data			460 V, 60 Hz: High Voltage Connection			
Rated Output (HP)	2		Full Load Torque	5.976 LB-FT		
Volts	230/460		Start Configuration	direct on line		
Full Load Amps	5.6/2.8		Breakdown Torque	23.5 LB-FT		
R.P.M.	1760		Pull-up Torque	11.5 LB-FT		
Hz	60	Phase	3	Locked-rotor Torque	15.6 LB-FT	
NEMA Design Code	B		KVA Code	L	Starting Current	22.7 A
Service Factor (S.F.)	1.15		No-load Current	1.69 A		
NEMA Nom. Eff.	86.5	Power Factor	75	Line-line Res. @ 25°C	9.5456 Ω	
Rating - Duty	40C AMB-CONT		Temp. Rise @ Rated Load	40°C		
S.F. Amps			Temp. Rise @ S.F. Load	48°C		
			Locked-rotor Power Factor	58.1		

Load Characteristics 460 V, 60 Hz, 2 HP

% of Rated Load	25	50	75	100	125	150	S.F.
Power Factor	34	55	68	77	81	84	79
Efficiency	77.5	85.2	86.9	86.8	85.8	84.3	86.2
Speed	1789.9	1781.4	1772.2	1762.2	1751.3	1739.3	1756
Line amperes	1.75	1.99	2.37	2.83	3.36	3.96	3.15

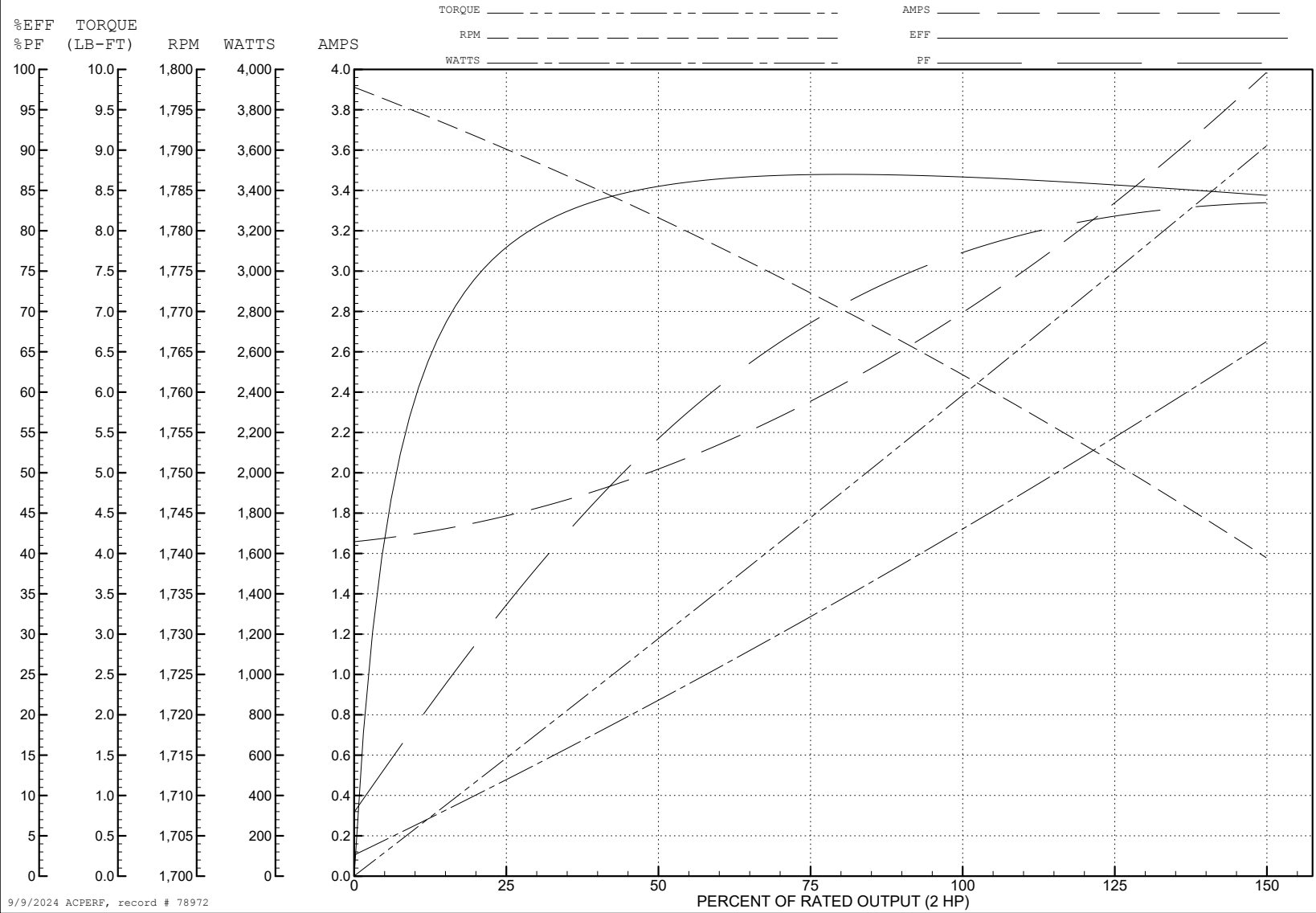
ABB Motors and Mechanical Inc.

WINDING # 05WGX509

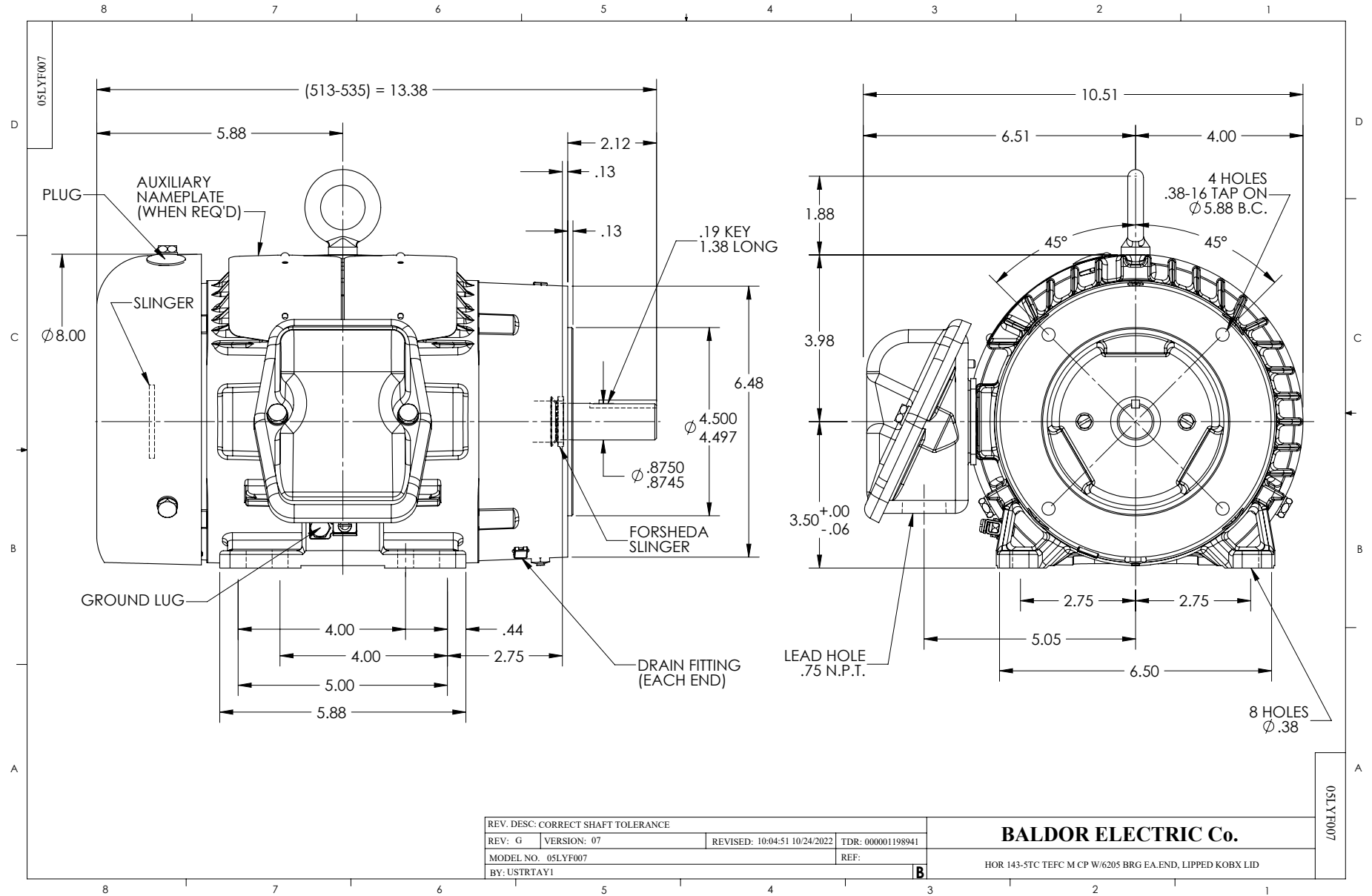
2 HP 3 PH 60 HZ 1760 RPM 460 V 0526M

Typical performance - not guaranteed values.

TORQUES (LB-FT): PO=23.5 PU=11.5 LR=15.6 LRA=22.7



9/9/2024 ACPERF, record # 78972



CD0005

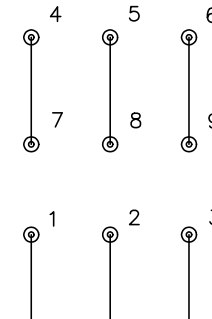


LOW VOLTAGE (2Y)



LINE

HIGH VOLTAGE (1Y)



LINE

NOTES:

1. INTERCHANGE ANY TWO LINE LEADS TO REVERSE ROTATION.
2. OPTIONAL THERMOSTATS ARE PROVIDED WHEN SPECIFIED.
3. ACTUAL NUMBER OF INTERNAL PARALLEL CIRCUITS MAY BE A MULTIPLE OF THOSE SHOWN ABOVE.
4. LEAD COLORS ARE OPTIONAL. LEADS MUST ALWAYS BE NUMBERED AS SHOWN.

CD0005

REV. DESC: REVISE TO SHOW OPTIONAL COLORS			
REV. LTR: E	BY: JLP	REVISED: 01/19/99 10:15	TDR: 0171435
S00000		FILE: AAA00005140	MDL: -
		MTL: -	

BALDOR ELECTRIC Co.

3PH, DV, 9 LEADS