

**BALDOR • RELIANCE**

---

# Customer information packet

## CECP3584T

1.5HP, 1755RPM, 3PH, 60HZ, 145TC, 0530M, TEFC

Class - CLI GP A,B,C,D

Division - Division II

## Specifications

Enclosure	TEFC
Frame	145TC
Frame Material	Iron
Frequency	60.00 Hz
Haz Area Class and Group	CLI GP A,B,C,D
Haz Area Division	Division II
Motor Letter Type	Three Phase
Output @ Frequency	1.500 HP @ 60 HZ
Phase	3
Synchronous Speed @ Frequency	1800 RPM @ 60 HZ
Voltage @ Frequency	460.0 V @ 60 HZ 230.0 V @ 60 HZ 208.0 V @ 60 HZ
Agency Approvals	CCSA US CSA EEV NEMA PREMIUM NEMA_PREMIUM UR
Ambient Temperature	40 °C
Auxillary Box	No Auxillary Box
Auxillary Box Lead Termination	None
Base Indicator	Rigid
Bearing Grease Type	Polyrex EM (-20F +300F)
Blower	None
Constant Torque Speed Range	1.3
Current @ Voltage	4.300 A @ 208.0 V 4.100 A @ 230.0 V 2.050 A @ 460.0 V
Design Code	B
Drip Cover	No Drip Cover
Duty Rating	CONT
Efficiency @ 100% Load	88.5 %

## Part detail

Revision	C
Type	AC
Mech. spec.	05F007
Base	
Status	PRD/A
Elec. spec.	05WGX902
Layout	05LYF007
Eff. date	11-14-2023
CD Diagram	CD0005
Poles	04
Leads	9#18
Proprietary	False
Created date	07-21-2022

<b>Electrically Isolated Bearing</b>	Not Electrically Isolated
<b>Feedback Device</b>	NO FEEDBACK
<b>Front Shaft Indicator</b>	None
<b>Haz Area Temp Code</b>	T4
<b>Heater Indicator</b>	No Heater
<b>High Voltage Full Load Amps</b>	2.1 a
<b>Insulation Class</b>	F
<b>Inverter Code</b>	Inverter Ready
<b>KVA Code</b>	K
<b>Lifting Lugs</b>	Standard Lifting Lugs
<b>Locked Bearing Indicator</b>	Locked Bearing
<b>Max Speed</b>	2700 rpm
<b>Motor Lead Quantity/Wire Size</b>	9 @ 18 AWG
<b>Motor Lead Termination</b>	Flying Leads
<b>Motor Standards</b>	NEMA
<b>Motor Type</b>	0530M
<b>Mounting Arrangement</b>	F1
<b>Number of Poles</b>	4
<b>Overall Length</b>	13.38 IN
<b>Power Factor</b>	83
<b>Product Family</b>	Chemical Processing (Not DC)
<b>Pulley End Bearing Type</b>	Ball
<b>Pulley Face Code</b>	C-Face
<b>Pulley Shaft Indicator</b>	Standard
<b>Rodent Screen</b>	None
<b>Service Factor</b>	1.15
<b>Shaft Diameter</b>	0.875 IN
<b>Shaft Ground Indicator</b>	No Shaft Grounding
<b>Shaft Rotation</b>	Reversible
<b>Shaft Slinger Indicator</b>	Shaft Slinger
<b>Speed</b>	1755 rpm
<b>Speed Code</b>	Single Speed
<b>Starting Method</b>	Direct on line
<b>Thermal Device - Bearing</b>	None

<b>Thermal Device - Winding</b>	None
<b>Vibration Sensor Indicator</b>	No Vibration Sensor
<b>Winding Thermal 1</b>	None
<b>Winding Thermal 2</b>	None

**Nameplate**

<b>NP3258</b>									
<b>CAT.NO.</b>	CECP3584T								
<b>SPEC.</b>	05F007X902G2								
<b>HP</b>	1.5 TE								
<b>VOLTS</b>	208-230/460								
<b>AMP</b>	4.6-4.4/2.2								
<b>RPM</b>	1760								
<b>FRAME</b>	145TC	<b>HZ</b>	60	<b>PH</b>	3				
<b>SER.F.</b>	1.15	<b>CODE</b>	M	<b>DES</b>	B	<b>CL</b>	F		
<b>RATING</b>	40C AMB-CONT								
<b>SN</b>									
<b>DE</b>	6205	<b>ODE</b>	6205						
<b>NEMA-NOM-EFF</b>	86.5	<b>PF</b>	72						
<b>G.MIN.EFF</b>	84	<b>CC</b>	010A						
<b>T. CODE</b>	T4	<b>T=</b>	135						

<b>NP3261</b>			
<b>SPEC.</b>	05F007X902G2		
<b>D.E. BRG.</b>	25BC02XP30X		
<b>O.D.E. BRG.</b>	25BC02XP30X		
<b>GREASE</b>	POLYREX EM		
<b>RPM MAX</b>	2700	<b>MAX. KVAR</b>	
<b>BLANK</b>	SFA 4.8-4.6/2.3		
<b>INV.TYPE</b>	PWM		
<b>T=</b>	135		
<b>C HP FR</b>	60	<b>C HP TO</b>	90
<b>CT HZ FROM</b>	1.3	<b>CT HZ TO</b>	60
<b>VT HZ FROM</b>	-0	<b>VT HZ TO</b>	60
<b>HTR-VOLTS</b>		<b>HTR-AMPS</b>	
<b>HTR-WATTS</b>		<b>MAX. SPACE HEATER TEMP.</b>	

**AC Induction Motor Performance Data**

Record # 102445

Typical performance - not guaranteed values

<b>Winding: 05WGX902-R001</b>		<b>Type: 0530M</b>		<b>Enclosure: TEFC</b>	
<b>Nameplate Data</b>			<b>460 V, 60 Hz: High Voltage Connection</b>		
<b>Rated Output (HP)</b>	1.5	<b>Full Load Torque</b>	4.496 LB-FT		
<b>Volts</b>	208-230/460	<b>Start Configuration</b>	direct on line		
<b>Full Load Amps</b>	4.6-4.4/2.2	<b>Breakdown Torque</b>	21.2 LB-FT		
<b>R.P.M.</b>	1760	<b>Pull-up Torque</b>	14.4 LB-FT		
<b>Hz</b>	60 <b>Phase</b>	3	<b>Locked-rotor Torque</b>	16 LB-FT	
<b>NEMA Design Code</b>	<b>B KVA Code</b>	M	<b>Starting Current</b>	19.7 A	
<b>Service Factor (S.F.)</b>	1.15	<b>No-load Current</b>	1.41 A		
<b>NEMA Nom. Eff.</b>	86.5 <b>Power Factor</b>	72	<b>Line-line Res. @ 25°C</b>	10.007 Ω	
<b>Rating - Duty</b>	40C AMB-CONT	<b>Temp. Rise @ Rated Load</b>	36°C		
<b>S.F. Amps</b>	5.2-5/2.5	<b>Temp. Rise @ S.F. Load</b>	42°C		
		<b>Locked-rotor Power Factor</b>	59.9		
		<b>Rotor inertia</b>	0.217 lb-ft <sup>2</sup>		

**Load Characteristics 460 V, 60 Hz, 1.5 HP**

<b>% of Rated Load</b>	<b>25</b>	<b>50</b>	<b>75</b>	<b>100</b>	<b>125</b>	<b>150</b>	<b>S.F.</b>
<b>Power Factor</b>	32	51	64	72	78	81	76
<b>Efficiency</b>	76.4	84.6	86.9	87.3	86.8	85.8	87
<b>Speed</b>	1789.3	1779.7	1769.5	1758.8	1747.1	1734.7	1752
<b>Line amperes</b>	1.47	1.65	1.91	2.23	2.6	3.01	2.45

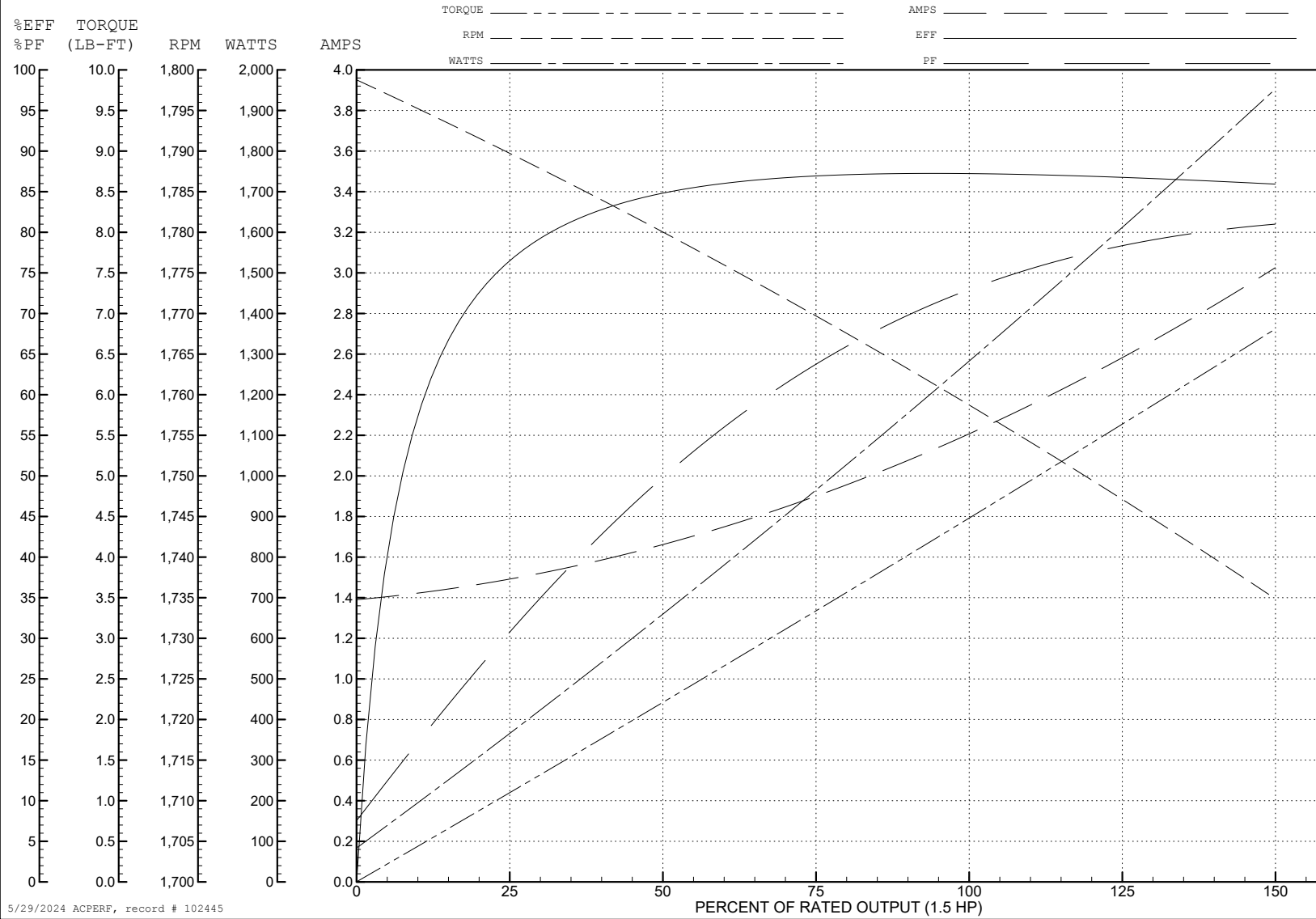
ABB Motors and Mechanical Inc.

WINDING # 05WGX902

1.5 HP 3 PH 60 HZ 1760 RPM 460 V 0530M

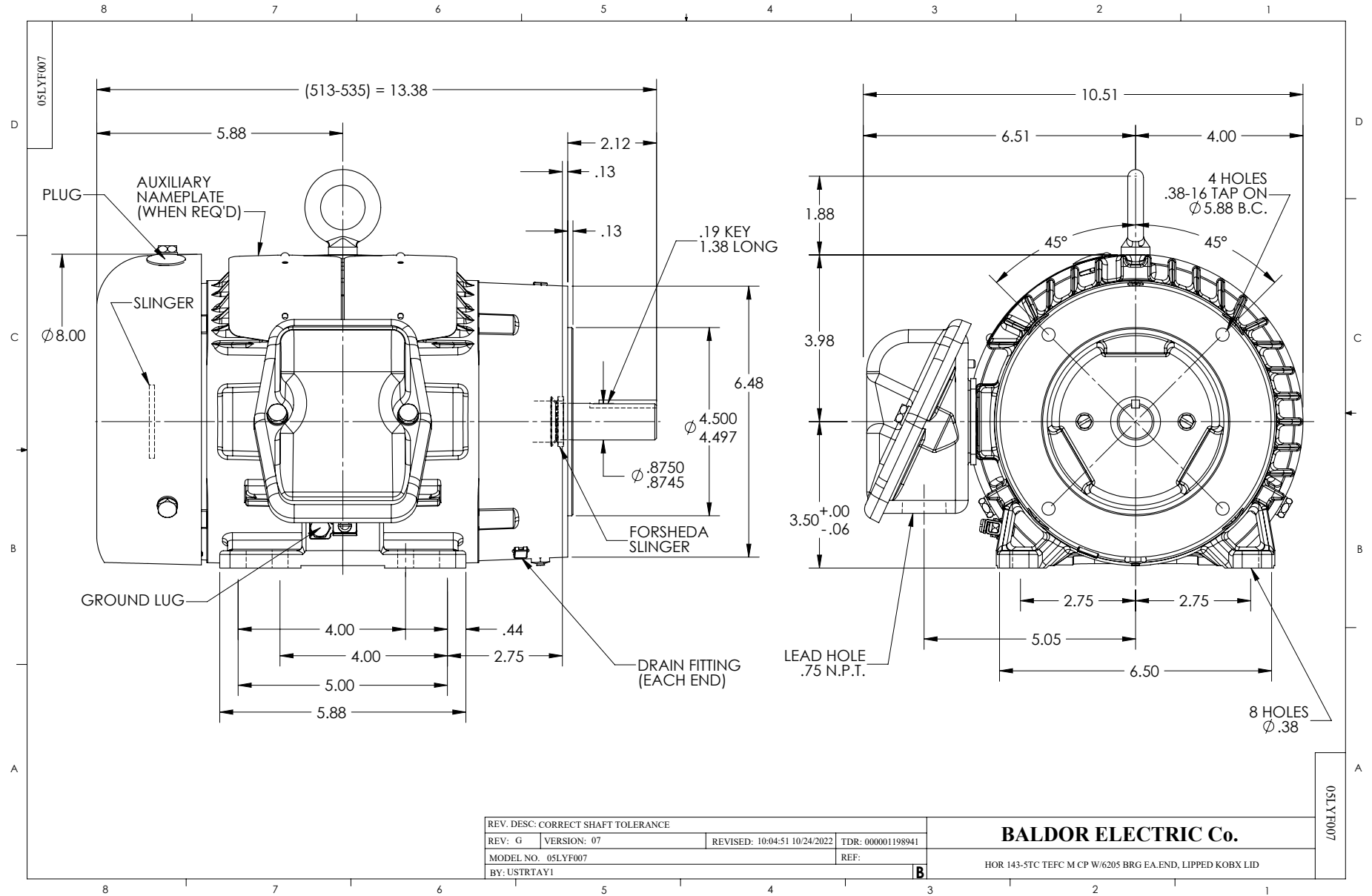
Typical performance - not guaranteed values.

TORQUES (LB-FT): PO=21.2 PU=14.4 LR=16 LRA=19.7



5/29/2024 ACPERF, record # 102445





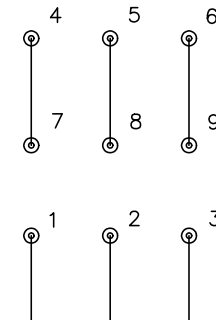
CD0005



LOW VOLTAGE  
(2Y)



HIGH VOLTAGE  
(1Y)



NOTES:

1. INTERCHANGE ANY TWO LINE LEADS TO REVERSE ROTATION.
2. OPTIONAL THERMOSTATS ARE PROVIDED WHEN SPECIFIED.
3. ACTUAL NUMBER OF INTERNAL PARALLEL CIRCUITS MAY BE A MULTIPLE OF THOSE SHOWN ABOVE.
4. LEAD COLORS ARE OPTIONAL. LEADS MUST ALWAYS BE NUMBERED AS SHOWN.

REV. DESC: REVISE TO SHOW OPTIONAL COLORS			
REV. LTR: E	BY: JLP	REVISED: 01/19/99 10:15	TDR: 0171435
S00000		FILE: AAA00005140	MDL: -
		MTL: -	

**BALDOR ELECTRIC Co.**

3PH, DV, 9 LEADS

CD0005