



Customer information packet

CECP3581T

1HP, 1770RPM, 3PH, 60HZ, 143TC, 0522M, TEFC, F1

Class - CLI GP A,B,C,D

Division - Division II

Specifications

| | |
|--------------------------------|--|
| Enclosure | TEFC |
| Frame | 143TC |
| Frame Material | Iron |
| Frequency | 60.00 Hz |
| Haz Area Class and Group | CLI GP A,B,C,D |
| Haz Area Division | Division II |
| Motor Letter Type | Three Phase |
| Output @ Frequency | 1.000 HP @ 60 HZ |
| Phase | 3 |
| Synchronous Speed @ Frequency | 1800 RPM @ 60 HZ |
| Voltage @ Frequency | 460.0 V @ 60 HZ 230.0 V @ 60 HZ 208.0 V @ 60 HZ |
| Agency Approvals | CCSA US CSA EEV NEMA PREMIUM NEMA_PREMIUM UR |
| Ambient Temperature | 40 °C |
| Auxillary Box | No Auxillary Box |
| Auxillary Box Lead Termination | None |
| Base Indicator | Rigid |
| Bearing Grease Type | Polyrex EM (-20F +300F) |
| Blower | None |
| Constant Torque Speed Range | 1.2 |
| Current @ Voltage | 3.400 A @ 230.0 V 3.300 A @ 208.0 V 3.200 A @ 208.0 V 1.700 A @ 460.0 V |
| Design Code | B |
| Drip Cover | No Drip Cover |
| Duty Rating | CONT |

Part detail

| | |
|--------------|------------|
| Revision | C |
| Type | AC |
| Mech. spec. | 05F007 |
| Base | |
| Status | PRD/A |
| Elec. spec. | 05WGX903 |
| Layout | 05LYF007 |
| Eff. date | 06-11-2024 |
| CD Diagram | CD0005 |
| Poles | 04 |
| Leads | 9#18 Y |
| Proprietary | False |
| Created date | 07-21-2022 |

| | |
|-------------------------------|------------------------------|
| Efficiency @ 100% Load | 85.5 % |
| Electrically Isolated Bearing | Not Electrically Isolated |
| Feedback Device | NO FEEDBACK |
| Front Shaft Indicator | None |
| Haz Area Temp Code | T4 |
| Heater Indicator | No Heater |
| High Voltage Full Load Amps | 1.7 a |
| Insulation Class | F |
| Inverter Code | Inverter Ready |
| KVA Code | N |
| Lifting Lugs | Standard Lifting Lugs |
| Locked Bearing Indicator | Locked Bearing |
| Max Speed | 2700 rpm |
| Motor Lead Quantity/Wire Size | 9 @ 18 AWG |
| Motor Lead Termination | Flying Leads |
| Motor Standards | NEMA |
| Motor Type | 0522M |
| Mounting Arrangement | F1 |
| Number of Poles | 4 |
| Overall Length | 13.38 IN |
| Power Factor | 69 |
| Product Family | Chemical Processing (Not DC) |
| Pulley End Bearing Type | Ball |
| Pulley Face Code | C-Face |
| Pulley Shaft Indicator | Standard |
| Rodent Screen | None |
| Service Factor | 1.15 |
| Shaft Diameter | 0.875 IN |
| Shaft Ground Indicator | No Shaft Grounding |
| Shaft Rotation | Reversible |
| Shaft Slinger Indicator | Shaft Slinger |
| Speed | 1770 rpm |
| Speed Code | Single Speed |
| Starting Method | Direct on line |

| | |
|-----------------------------------|---------------------|
| Thermal Device - Bearing | None |
| Thermal Device - Winding | None |
| Vibration Sensor Indicator | No Vibration Sensor |
| Winding Thermal 1 | None |
| Winding Thermal 2 | None |

Nameplate

| NP3258 | | | | | | | | | |
|---------------------|--------------|-------------|------|------------|---|-----------|---|--|--|
| CAT.NO. | CECP3581T | | | | | | | | |
| SPEC. | 05F007X903G1 | | | | | | | | |
| HP | 1 TE | | | | | | | | |
| VOLTS | 208-230/460 | | | | | | | | |
| AMP | 3.3-3.4/1.7 | | | | | | | | |
| RPM | 1770 | | | | | | | | |
| FRAME | 143TC | HZ | 60 | PH | 3 | | | | |
| SER.F. | 1.15 | CODE | N | DES | B | CL | F | | |
| RATING | 40C AMB-CONT | | | | | | | | |
| SN | | | | | | | | | |
| DE | 6205 | ODE | 6205 | | | | | | |
| NEMA-NOM-EFF | 85.5 | PF | 69 | | | | | | |
| G.MIN.EFF | 82.5 | CC | 010A | | | | | | |
| T. CODE | T4 | T= | 135 | | | | | | |

| NP3261 | | | |
|--------------------|--------------|--------------------------------|------|
| SPEC. | 05F007X903G1 | | |
| D.E. BRG. | 25BC02XP30X | | |
| O.D.E. BRG. | 25BC02XP30X | | |
| GREASE | POLYREX EM | | |
| RPM MAX | 2700 | MAX. KVAR | 0.49 |
| BLANK | SFA 3.6/1.8 | | |
| INV.TYPE | PWM | | |
| T= | 135 | | |
| C HP FR | 60 | C HP TO | 90 |
| CT HZ FROM | 1.2 | CT HZ TO | 60 |
| VT HZ FROM | -0 | VT HZ TO | 60 |
| HTR-VOLTS | | HTR-AMPS | |
| HTR-WATTS | | MAX. SPACE HEATER TEMP. | |

AC Induction Motor Performance Data

Record # 87075

Preliminary Data Sheet

| Winding: 05WGX903-R001 | | Type: 0522M | | Enclosure: TEFC | |
|-------------------------------|--------------------------|--------------------|--|------------------------|--------------------------|
| Nameplate Data | | | 460 V, 60 Hz: High Voltage Connection | | |
| Rated Output (HP) | | 1 | Full Load Torque | | 2.97 LB-FT |
| Volts | | 208-230/460 | Start Configuration | | direct on line |
| Full Load Amps | | 3.3-3.4/1.7 | Breakdown Torque | | 15.85 LB-FT |
| R.P.M. | | 1770 | Pull-up Torque | | 9.1 LB-FT |
| Hz | 60 Phase | | Locked-rotor Torque | | 10.45 LB-FT |
| NEMA Design Code | B KVA Code | N | Starting Current | | 15.67 A |
| Service Factor (S.F.) | | 1.15 | No-load Current | | 1.21 A |
| NEMA Nom. Eff. | 85.5 Power Factor | | Line-line Res. @ 25°C | | 14.1 Ω |
| Rating - Duty | | 40C AMB-CONT | Temp. Rise @ Rated Load | | 24°C |
| S.F. Amps | | 3.6/1.8 | Temp. Rise @ S.F. Load | | 27°C |
| | | | Locked-rotor Power Factor | | 60.1 |
| | | | Rotor inertia | | 0.159 lb-ft ² |

Load Characteristics 460 V, 60 Hz, 1 HP

| % of Rated Load | 25 | 50 | 75 | 100 | 125 | 150 | S.F. |
|------------------------|-----------|-----------|-----------|------------|------------|------------|-------------|
| Power Factor | 27 | 43 | 56 | 65 | 72 | 76 | 69 |
| Efficiency | 70.7 | 81 | 84.4 | 85.8 | 85.9 | 85.5 | 85.9 |
| Speed | 1792 | 1785 | 1778 | 1771 | 1763 | 1755 | 1766 |
| Line amperes | 1.23 | 1.34 | 1.49 | 1.68 | 1.89 | 2.15 | 1.81 |

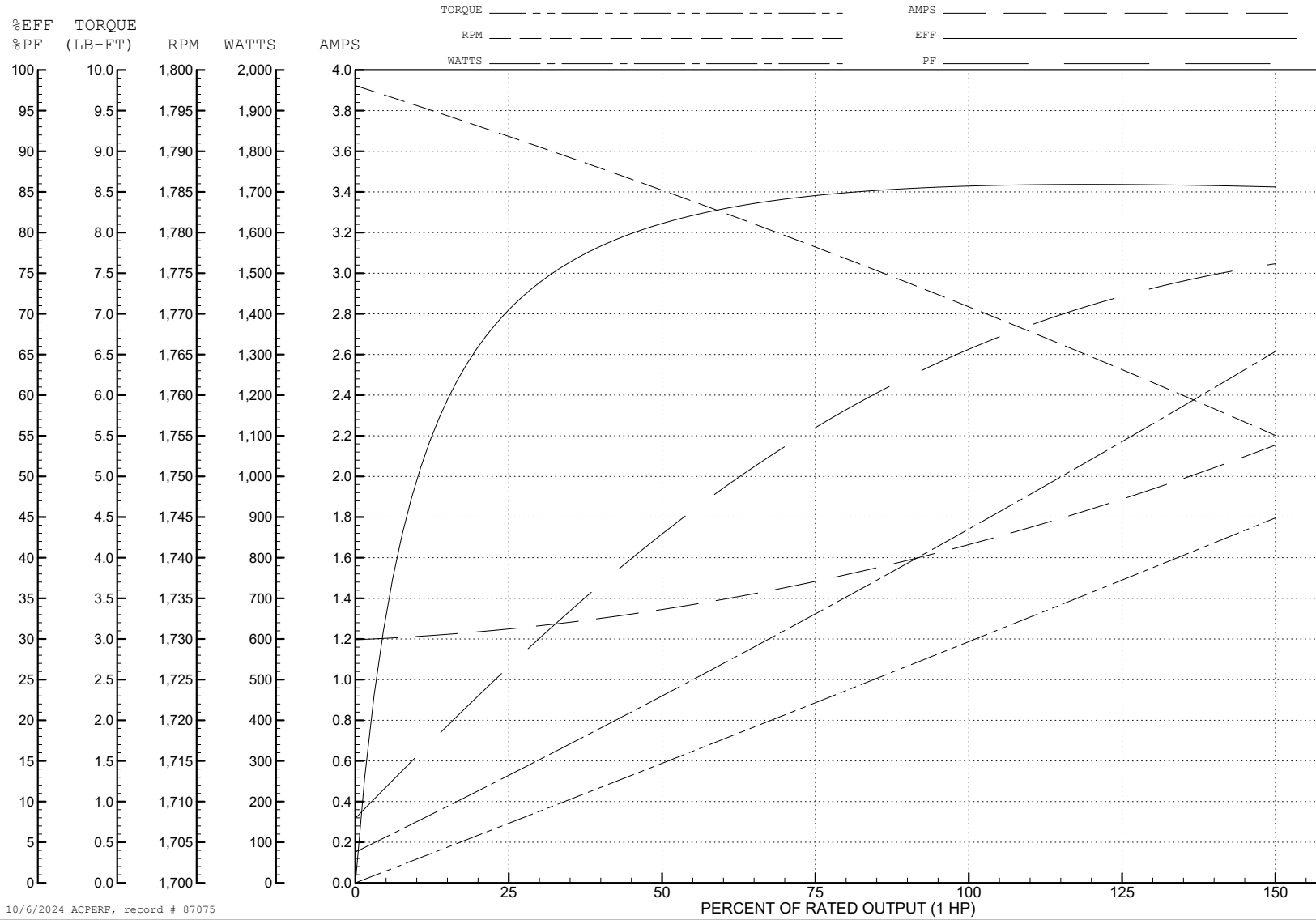
ABB Motors and Mechanical Inc.

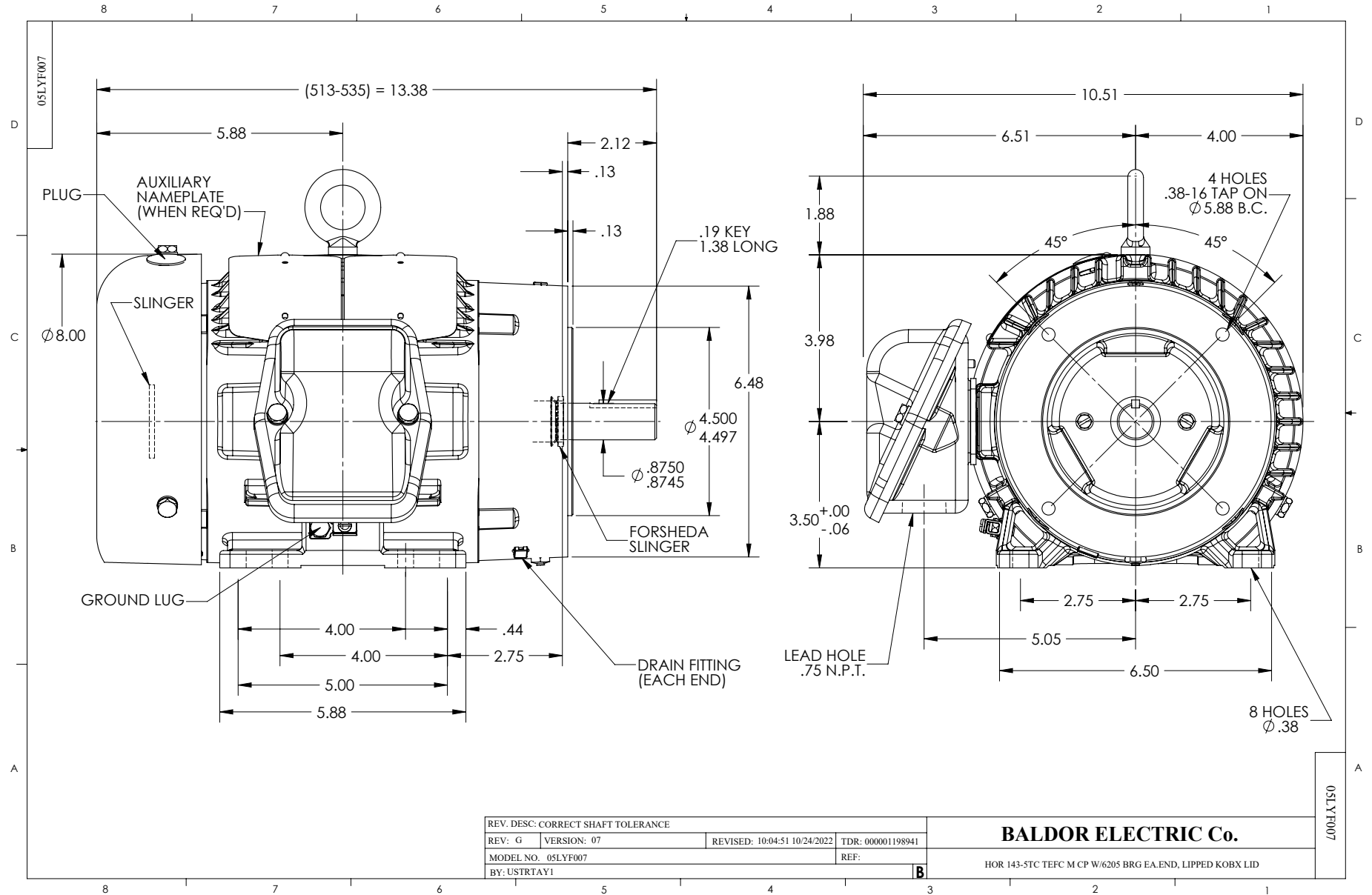
WINDING # 05WGX903

Typical performance - not guaranteed values.

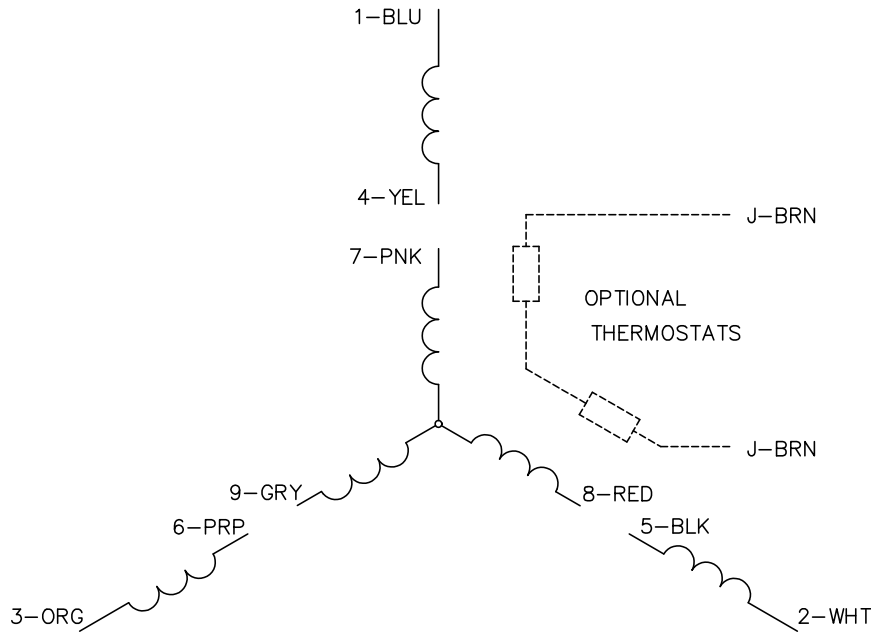
1 HP 3 PH 60 HZ 1770 RPM 460 V 0522M

TORQUES (LB-FT): PO=15.85 PU=9.1 LR=10.45 LRA=15.67





CD0005



LOW VOLTAGE
(2Y)



LINE

HIGH VOLTAGE
(1Y)



LINE

NOTES:

1. INTERCHANGE ANY TWO LINE LEADS TO REVERSE ROTATION.
2. OPTIONAL THERMOSTATS ARE PROVIDED WHEN SPECIFIED.
3. ACTUAL NUMBER OF INTERNAL PARALLEL CIRCUITS MAY BE A MULTIPLE OF THOSE SHOWN ABOVE.
4. LEAD COLORS ARE OPTIONAL. LEADS MUST ALWAYS BE NUMBERED AS SHOWN.

CD0005

| | | | |
|---|---------|-------------------------|--------------|
| REV. DESC: REVISE TO SHOW OPTIONAL COLORS | | | |
| REV. LTR: E | BY: JLP | REVISED: 01/19/99 10:15 | TDR: 0171435 |
| S00000 | | FILE: AAA00005140 | MDL: - |
| | | MTL: - | |

BALDOR ELECTRIC Co.

3PH, DV, 9 LEADS