



Customer information packet

CECP3581T-5

1HP, 1770RPM, 3PH, 60HZ, 143TC, 0520M, TEFC, F1

Class - CLI GP A,B,C,D

Division - Division II

Specifications

Enclosure	TEFC
Frame	143TC
Frame Material	Iron
Frequency	60.00 Hz
Haz Area Class and Group	CLI GP A,B,C,D
Haz Area Division	Division II
Motor Letter Type	Three Phase
Output @ Frequency	1.000 HP @ 60 HZ
Phase	3
Synchronous Speed @ Frequency	1800 RPM @ 60 HZ
Voltage @ Frequency	575.0 V @ 60 HZ
Agency Approvals	CCSA US CSA EEV NEMA PREMIUM NEMA_PREMIUM UR
Ambient Temperature	40 °C
Auxillary Box	No Auxillary Box
Auxillary Box Lead Termination	None
Base Indicator	Rigid
Bearing Grease Type	Polyrex EM (-20F +300F)
Blower	None
Constant Torque Speed Range	6
Current @ Voltage	1.200 A @ 575.0 V
Design Code	B
Drip Cover	No Drip Cover
Duty Rating	CONT
Efficiency @ 100% Load	85.5 %
Electrically Isolated Bearing	Not Electrically Isolated
Enclosure Modification	Severe Duty Features
Feedback Device	NO FEEDBACK
Front Shaft Indicator	None

Part detail

Revision	E
Type	AC
Mech. spec.	05F007
Base	
Status	PRD/A
Elec. spec.	05WGX567
Layout	05LYF007
Eff. date	06-11-2024
CD Diagram	CD0006
Poles	04
Leads	3#18
Proprietary	False
Created date	03-11-2022

Haz Area Temp Code	T3
Heater Indicator	No Heater
High Voltage Full Load Amps	1.2 a
Insulation Class	F
Inverter Code	Inverter Duty
KVA Code	M
Lifting Lugs	Standard Lifting Lugs
Locked Bearing Indicator	Locked Bearing
Max Speed	2700 rpm
Motor Lead Quantity/Wire Size	3 @ 18 AWG
Motor Lead Termination	Flying Leads
Motor Standards	NEMA
Motor Type	0520M
Mounting Arrangement	F1
Number of Poles	4
Overall Length	13.38 IN
Power Factor	72
Product Family	Chemical Processing (Not DC)
Pulley End Bearing Type	Ball
Pulley Face Code	C-Face
Pulley Shaft Indicator	Standard
Rodent Screen	None
Service Factor	1.15
Shaft Diameter	0.875 IN
Shaft Ground Indicator	No Shaft Grounding
Shaft Rotation	Reversible
Shaft Slinger Indicator	Shaft Slinger
Speed	1770 rpm
Speed Code	Single Speed
Starting Method	Direct on line
Thermal Device - Bearing	None
Thermal Device - Winding	None
Vibration Sensor Indicator	No Vibration Sensor
Winding Thermal 1	None

Winding Thermal 2

None

Nameplate

NP3257									
CAT.NO.	CECP3581T-5								
SPEC.	05F007X567G1								
HP	1 TE								
VOLTS	575								
AMP	1.2								
RPM	1770								
FRAME	143TC	HZ	60	PH	3				
SER.F.	1.15	CODE	M	DES	B	CL	F		
RATING	40C AMB-CONT								
SN									
DE	6205	ODE	6205						
NEMA-NOM-EFF	85.5	PF	72						
G.MIN.EFF	85.5	CC	010A						
T. CODE	T3	T=	200						

NP3260			
SPEC.	05F007X567G1		
D.E. BRG.	25BC02XP30X		
O.D.E. BRG.	25BC02XP30X		
GREASE	POLYREX EM		
RPM MAX	2700	MAX. KVAR	0.42
	CECP3581T-5		
BLANK	SFA 1.33		
INV.TYPE	PWM		
T=	200		
C HP FR	60	C HP TO	90
CT HZ FROM	6	CT HZ TO	60
VT HZ FROM	6	VT HZ TO	60
HTR-VOLTS		HTR-AMPS	
HTR-WATTS		MAX. SPACE HEATER TEMP.	

AC Induction Motor Performance Data

Record # 89185

Typical performance - not guaranteed values

Winding: 05WGX567-R003		Type: 0520M		Enclosure: TEFC	
Nameplate Data			575 V, 60 Hz: Single Voltage Motor		
Rated Output (HP)		1	Full Load Torque		2.96 LB-FT
Volts		575	Start Configuration		direct on line
Full Load Amps		1.2	Breakdown Torque		11.89 LB-FT
R.P.M.		1770	Pull-up Torque		7.42 LB-FT
Hz	60 Phase	3	Locked-rotor Torque		9.63 LB-FT
NEMA Design Code	B KVA Code	M	Starting Current		10.72 A
Service Factor (S.F.)		1.15	No-load Current		0.768 A
NEMA Nom. Eff.	85.5 Power Factor	72	Line-line Res. @ 25°C		32.1 Ω
Rating - Duty		40C AMB-CONT	Temp. Rise @ Rated Load		31°C
S.F. Amps			Temp. Rise @ S.F. Load		37°C
			Locked-rotor Power Factor		62.9842
			Rotor inertia		0.144 lb-ft ²

Load Characteristics 575 V, 60 Hz, 1 HP

% of Rated Load	25	50	75	100	125	150	S.F.
Power Factor	33	51	64	72	78	82	76
Efficiency	72.5	82.2	85.1	85.4	85.1	84	85.2
Speed	1792	1784	1776	1768	1758	1748	1762
Line amperes	0.803	0.9	1.04	1.21	1.41	1.63	1.33

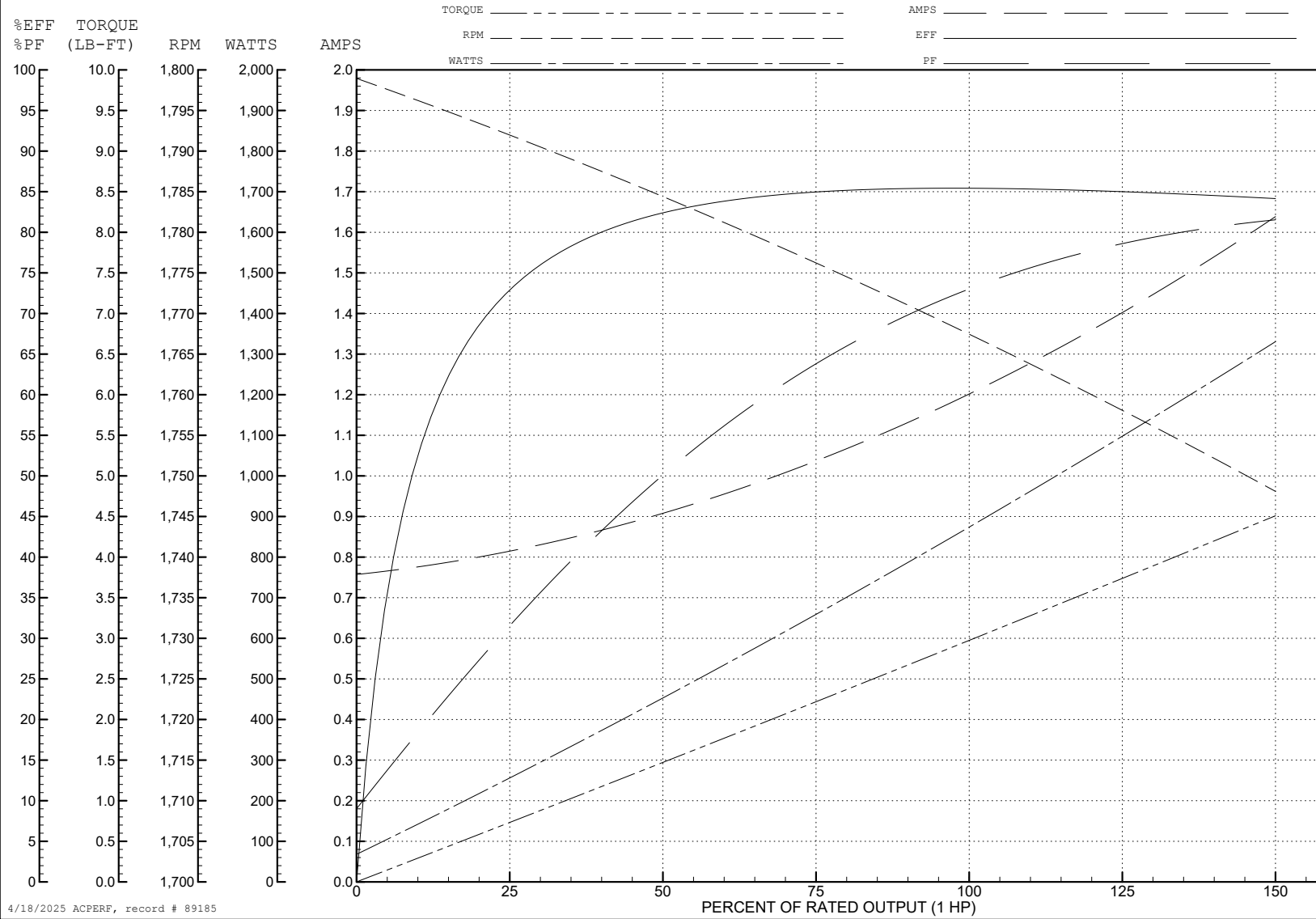
ABB Motors and Mechanical Inc.

WINDING # 05WGX567

Typical performance - not guaranteed values.

1 HP 3 PH 60 HZ 1770 RPM 575 V 0520M

TORQUES (LB-FT): PO=11.89 PU=7.42 LR=9.63 LRA=10.72



4/18/2025 ACPERF, record # 89185

AC Induction Motor Performance Data

Record # 110711

Typical performance - not guaranteed values

Winding: 05WGX567-R003		Type: 0520M	Enclosure: TEFC	
Nameplate Data			460 V, 60 Hz: Single Voltage Motor	
Rated Output (HP)	1	Full Load Torque	2.99 LB-FT	
Volts	575	Start Configuration	direct on line	
Full Load Amps	1.2	Breakdown Torque	7.6 LB-FT	
R.P.M.	1770	Pull-up Torque	4.7 LB-FT	
Hz	60 Phase	3	Locked-rotor Torque	6.1 LB-FT
NEMA Design Code	B KVA Code	M	Starting Current	8.5 A
Service Factor (S.F.)		1.15	No-load Current	0.59 A
NEMA Nom. Eff.	85.5 Power Factor	72	Line-line Res. @ 25°C	32.1 Ω
Rating - Duty	40C AMB-CONT		Temp. Rise @ Rated Load	35°C
S.F. Amps		1.33	Temp. Rise @ S.F. Load	45°C
			Locked-rotor Power Factor	62.2
			Rotor inertia	0.144 lb-ft ²

Load Characteristics 460 V, 60 Hz, 1 HP

% of Rated Load	25	50	75	100	125	150	S.F.
Power Factor	45	65	76	81	84	86	83
Efficiency	78.2	84.8	85.4	83.9	81.8	78.7	82.6
Speed	1788	1776	1763	1749	1731	1711	1738
Line amperes	0.67	0.85	1.08	1.37	1.7	2.07	1.57

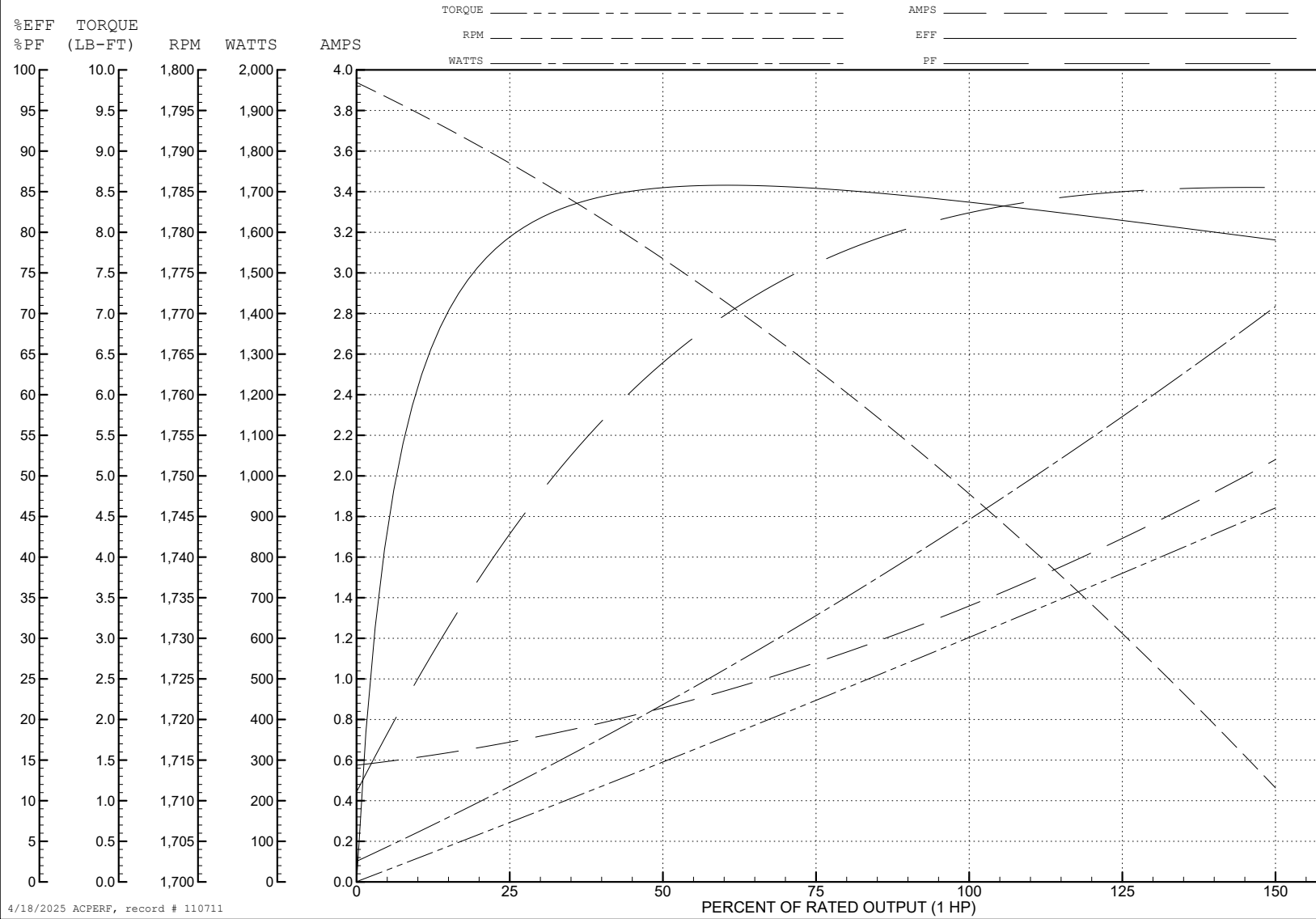
ABB Motors and Mechanical Inc.

WINDING # 05WGX567

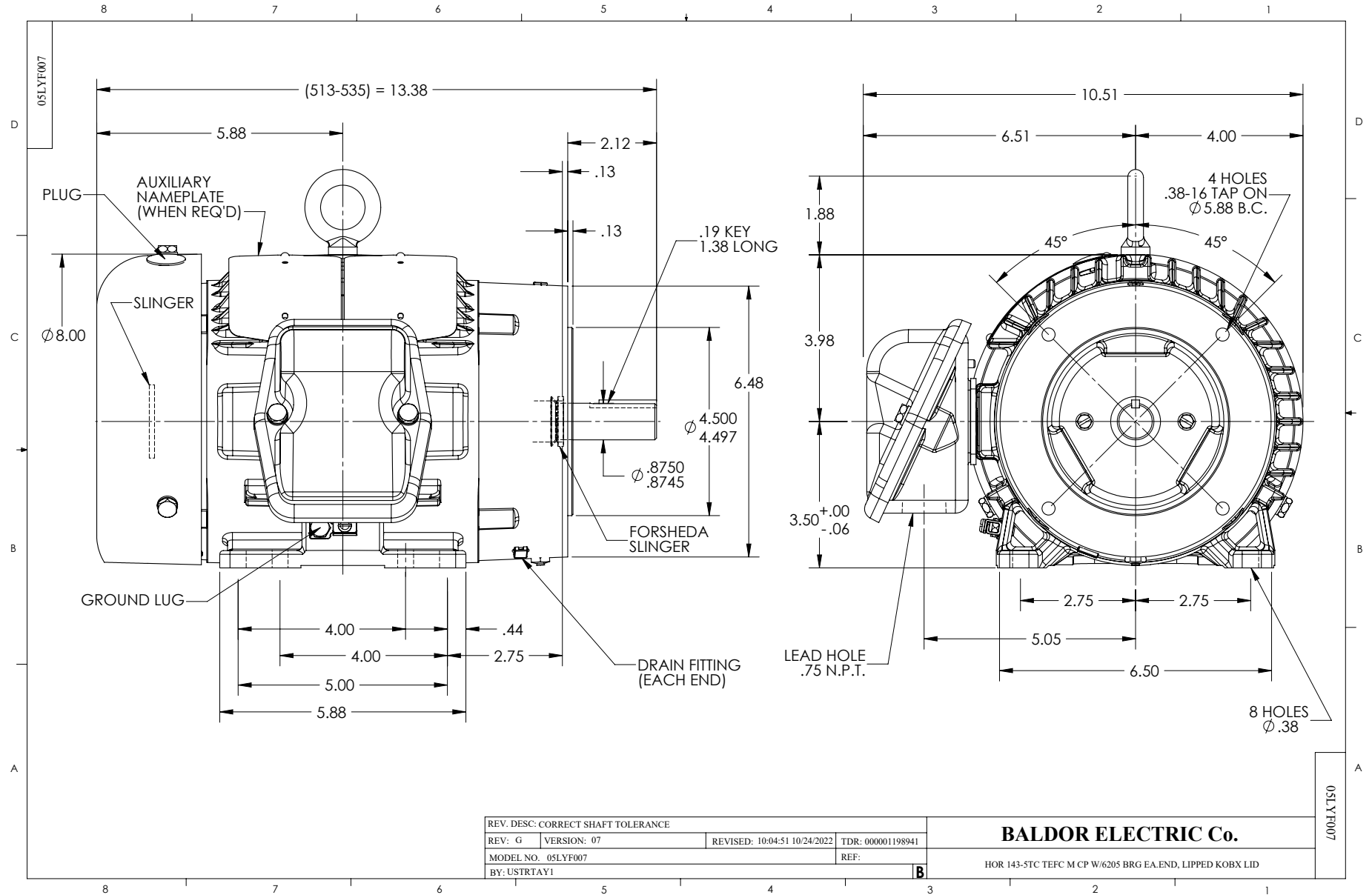
Typical performance - not guaranteed values.

1 HP 3 PH 60 HZ 1770 RPM 460 V 0520M

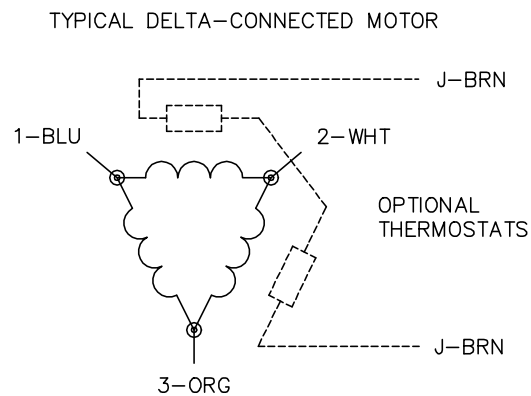
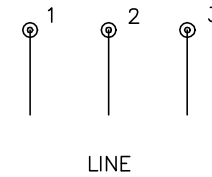
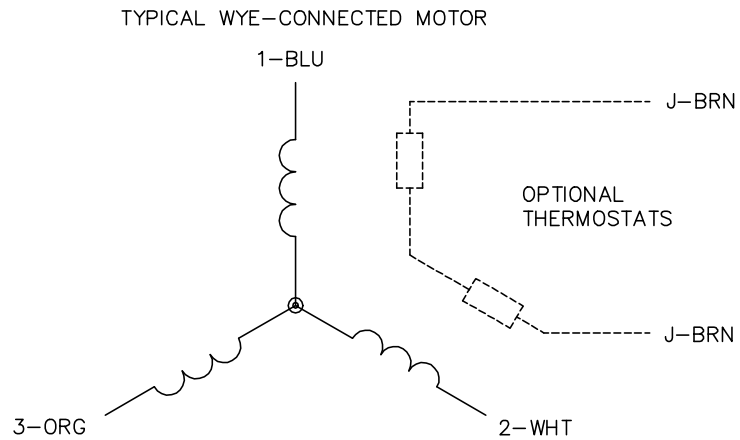
TORQUES (LB-FT): PO=7.6 PU=4.7 LR=6.1 LRA=8.5



4/18/2025 ACPERF, record # 110711



CD0006



NOTES:

1. THREE LEAD MOTOR MAY BE EITHER WYE CONNECTED OR DELTA CONNECTED.
2. INTERCHANGE ANY TWO LINE LEADS TO REVERSE ROTATION.
3. OPTIONAL THERMOSTATS ARE PROVIDED WHEN SPECIFIED.
4. ACTUAL NUMBER OF INTERNAL PARALLEL CIRCUITS MAY VARY.
5. LEAD COLORS ARE OPTIONAL. LEADS MUST BE NUMBERED AS SHOWN.

CD0006

REV. DESC: ADD CLASS CONN00000007		
REV. LTR: E	VERSION: 01	TDR: 000001099922
FILE: \AAA\00005\141	REVISED: 10:24:49 02/19/2019	BY: ENBRIRO
MTL: -	© □	

BALDOR - RELIANCE®

3PH, SV, 3 LEADS, WYE OR DELTA CONNECTED

SH 1 of 1