

**BALDOR • RELIANCE**

---

# Customer information packet

## CECP2332T

10HP, 1180RPM, 3PH, 60HZ, 256TC, 0960M, TEFC, F

Class - CLI GP A,B,C,D

Division - Division II

## Specifications

Enclosure	TEFC
Frame	256TC
Frame Material	Iron
Frequency	60.00 Hz
Haz Area Class and Group	CLI GP A,B,C,D
Haz Area Division	Division II
Motor Letter Type	Three Phase
Output @ Frequency	10.000 HP @ 60 HZ
Phase	3
Synchronous Speed @ Frequency	1200 RPM @ 60 HZ
Voltage @ Frequency	460.0 V @ 60 HZ 230.0 V @ 60 HZ
Agency Approvals	CCSA US CSA EEV NEMA PREMIUM NEMA_PREMIUM UR
Ambient Temperature	40 °C
Auxillary Box	No Auxillary Box
Auxillary Box Lead Termination	None
Base Indicator	Rigid
Bearing Grease Type	Polyrex EM (-20F +300F)
Blower	None
Constant Torque Speed Range	1.0
Current @ Voltage	30.000 A @ 208.0 V 28.400 A @ 230.0 V 14.200 A @ 460.0 V
Design Code	A
Drip Cover	No Drip Cover
Duty Rating	CONT
Efficiency @ 100% Load	91.0 %
Electrically Isolated Bearing	Not Electrically Isolated

## Part detail

Revision	Z
Type	AC
Mech. spec.	09H180
Base	
Status	PRD/A
Elec. spec.	09WGX826
Layout	09LYH180
Eff. date	11-14-2023
CD Diagram	CD0180
Poles	06
Leads	9#12
Proprietary	False
Created date	11-14-2013

Feedback Device	NO FEEDBACK
Front Face Code	Standard
Front Shaft Indicator	None
Haz Area Temp Code	T3C
Heater Indicator	No Heater
High Voltage Full Load Amps	14.2 a
Insulation Class	F
Inverter Code	Inverter Duty
KVA Code	J
Lifting Lugs	Standard Lifting Lugs
Locked Bearing Indicator	Locked Bearing
Max Speed	1800 rpm
Motor Lead Exit	Ko Box
Motor Lead Quantity/Wire Size	9 @ 12 AWG
Motor Lead Termination	Flying Leads
Motor Standards	NEMA
Motor Type	0960M
Mounting Arrangement	F1
Number of Poles	6
Overall Length	25.28 IN
Power Factor	72
Product Family	Super-E Chemical Processing
Pulley End Bearing Type	Ball
Pulley Face Code	C-Face
Pulley Shaft Indicator	Standard
Rodent Screen	None
Service Factor	1.15
Shaft Diameter	1.625 IN
Shaft Extension Location	Pulley End
Shaft Ground Indicator	No Shaft Grounding
Shaft Rotation	Reversible
Shaft Slinger Indicator	Shaft Slinger
Speed	1180 rpm
Speed Code	Single Speed

<b>Starting Method</b>	Direct on line
<b>Thermal Device - Bearing</b>	None
<b>Thermal Device - Winding</b>	None
<b>Vibration Sensor Indicator</b>	No Vibration Sensor
<b>Winding Thermal 1</b>	None
<b>Winding Thermal 2</b>	None

**Nameplate**

**NP3995ABEL**

<b>CAT #</b>	CECP2332T		<b>SER</b>			<b>CC</b>	010A				
<b>SPEC</b>	09H180X826		<b>RATING</b>	40C AMB-CONT							
<b>HZ</b>	<b>VOLTS</b>	<b>AMPS</b>	<b>RPM</b>	<b>HP</b>	<b>CODE</b>	<b>SF</b>	<b>DES</b>	<b>PF</b>	<b>NEMA NOM. EFF</b>		
60	230/460	28.4/14.2	1180	10	J	1.15	A	72 %	91 %		
								%	%		
<b>PH</b>	3	<b>CL</b>	F	<b>MAX RPM</b>	1800	<b>MAX CORR KVAR</b>	5.21	<b>USABLE AT 208V</b>	N/A		
IP55		<b>FR</b>	256TC	<b>ENCL</b>	TEFC	<b>DE BRG</b>	6309	<b>ODE BRG</b>	6309		
<b>GREASE</b>	POLYREX EM					<b>MTR WT</b>	323	<b>LBS</b>			
<b>USABLE AT</b>	50HZ 7.5HP 190/380V 26.4/13.2A					SF1.0					
<b>CL I DIV 2 GRPS A,B,C,D</b>			<b>CL I ZONE 2 GRPS</b>			<b>IIA,IIB,IIC</b>		<b>TEMP T</b>	160	<b>C</b>	
<b>1.0 SF ON PWM INVERTER</b>		<b>POWER</b>	<b>INV TEMP CL</b>		180	<b>C</b>					
<b>CHP</b>	60-90	<b>HZ</b>	1.5:1	<b>CT</b>	1.0-60	<b>HZ</b>	60:1	<b>VT</b>	0-60	<b>HZ</b>	1000:1
<b>SPACE HEATER LEADS H1-H2:</b>			<b>TIE LIKE NUMBERS</b>			<b>TOGETHER</b>					
<b>V</b>		<b>A</b>		<b>W</b>		<b>MAX SPACE HEATER TEMP</b>					

**AC Induction Motor Performance Data**

Record # 47262

Typical performance - not guaranteed values

Winding: 09WGX826-R026		Type: 0960M	Enclosure: TEFC	
<b>Nameplate Data</b>			<b>460 V, 60 Hz: High Voltage Connection</b>	
Rated Output (HP)	10	Full Load Torque	44.4 LB-FT	
Volts	230/460	Start Configuration	direct on line	
Full Load Amps	28.4/14.2	Breakdown Torque	144 LB-FT	
R.P.M.	1180	Pull-up Torque	54.6 LB-FT	
Hz	60 Phase	Locked-rotor Torque	75 LB-FT	
NEMA Design Code	A KVA Code	Starting Current	93 A	
Service Factor (S.F.)	1.15	No-load Current	7.15 A	
NEMA Nom. Eff.	91 Power Factor	Line-line Res. @ 25°C	0.676 Ω	
Rating - Duty	40C AMB-CONT	Temp. Rise @ Rated Load	44°C	
S.F. Amps		Temp. Rise @ S.F. Load	58°C	
		Locked-rotor Power Factor	24.9	
		Rotor inertia	4.82 LB-FT <sup>2</sup>	

**Load Characteristics 460 V, 60 Hz, 10 HP**

% of Rated Load	25	50	75	100	125	150	S.F.
Power Factor	35	55	66	72	74	76	73
Efficiency	84.4	90.2	91.6	91.6	91.2	90.3	91.4
Speed	1196	1191	1186	1181	1175	1168	1177
Line amperes	8	9.39	11.57	14.2	17.24	20.55	16.02

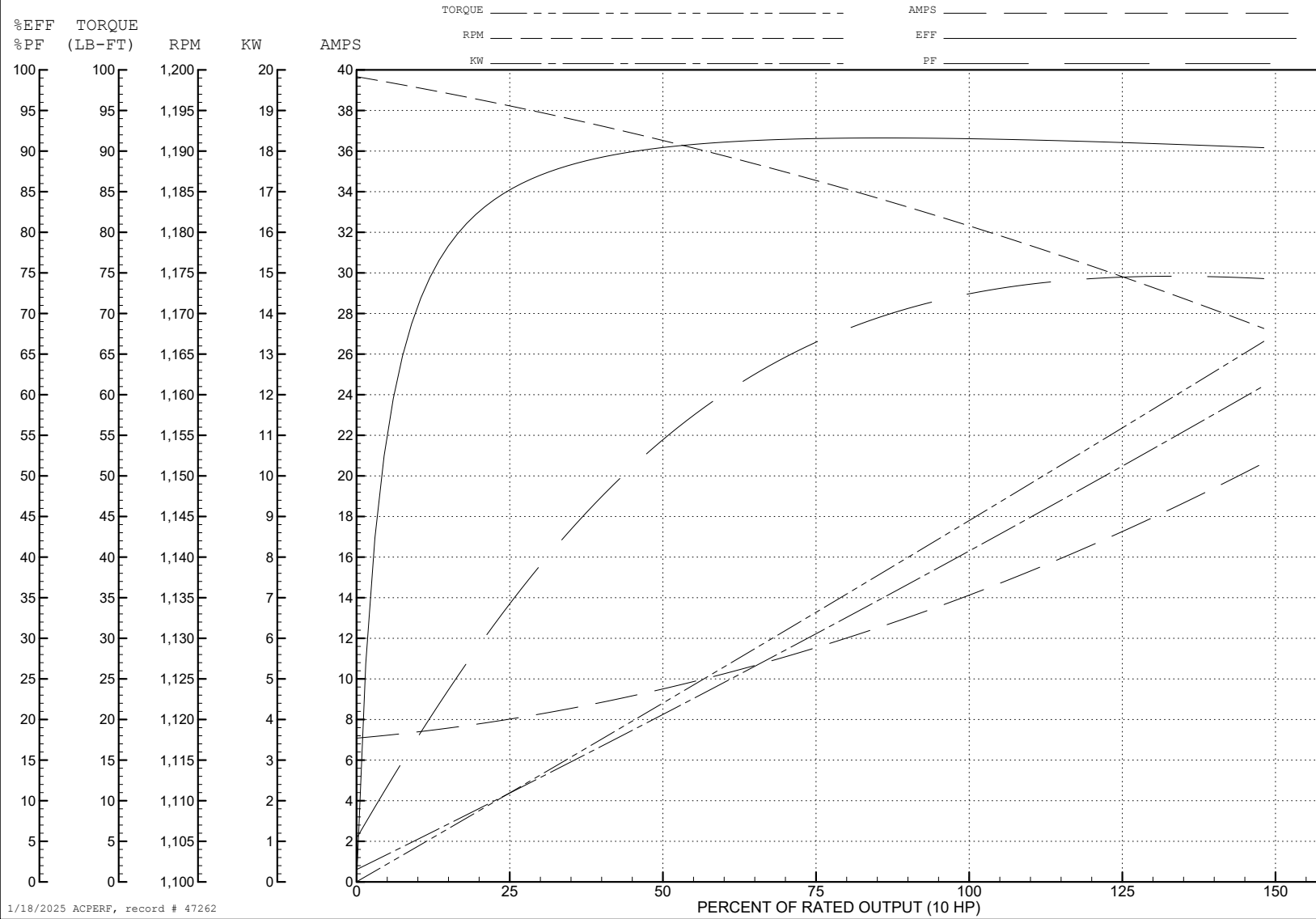
ABB Motors and Mechanical Inc.

WINDING # 09WGX826

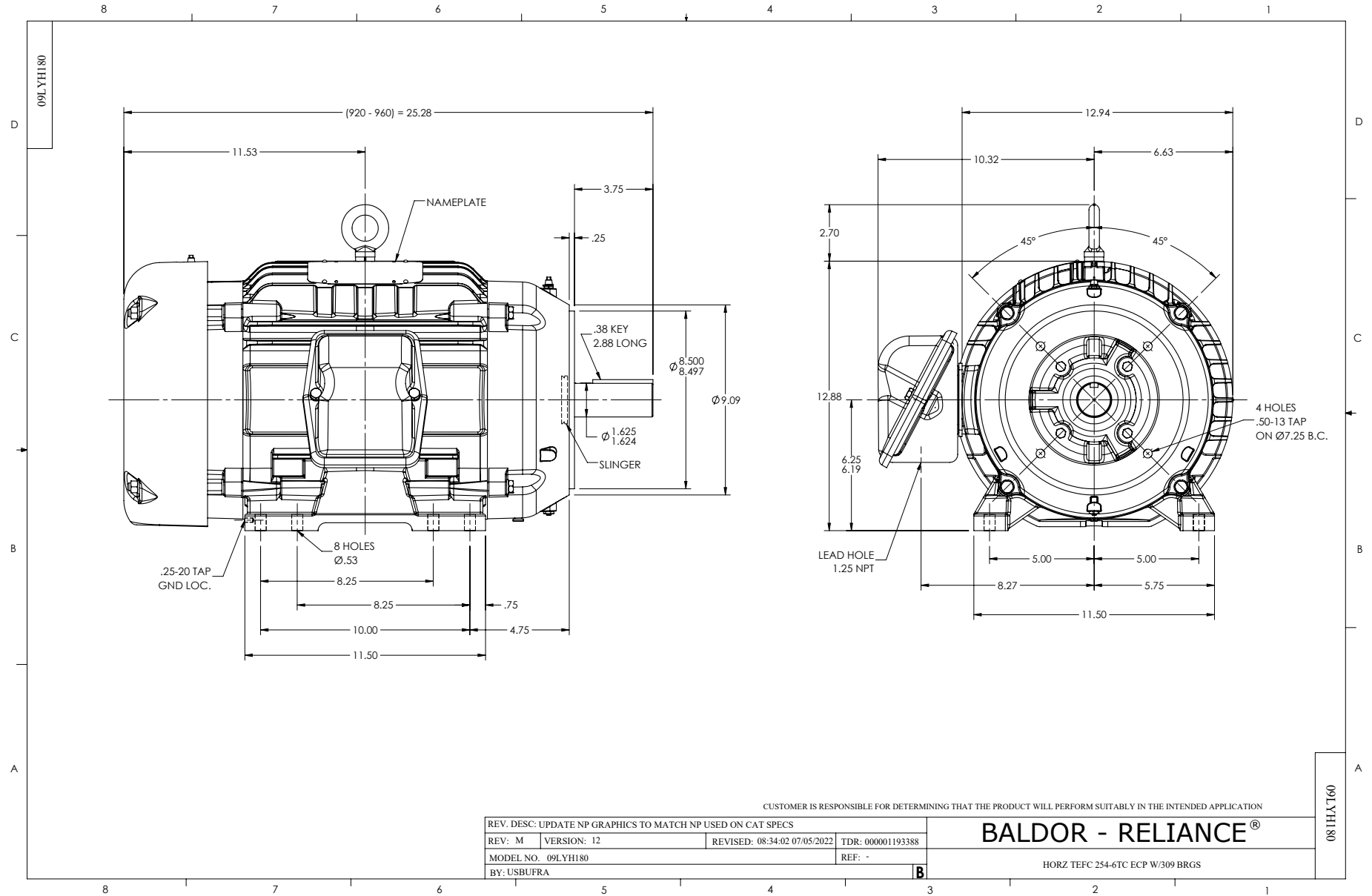
Typical performance - not guaranteed values.

10 HP 3 PH 60 HZ 1180 RPM 460 V 0960M

TORQUES (LB-FT): PO=144 PU=54.6 LR=75 LRA=93

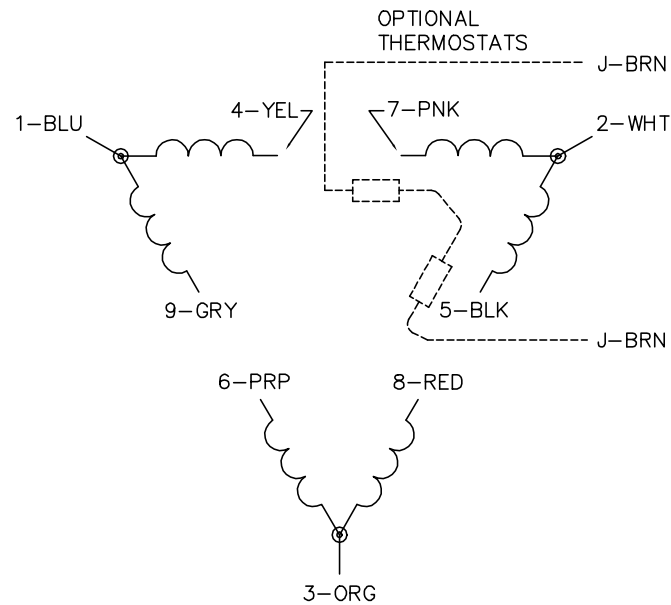


1/18/2025 ACPERF, record # 47262

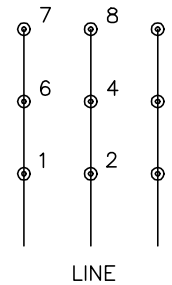




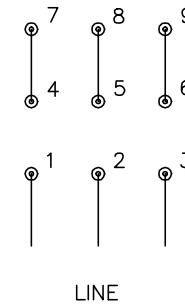
CD0180



LOW VOLTAGE  
(2D)



HIGH VOLTAGE  
(1D)



NOTES:

1. INTERCHANGE ANY TWO LINE LEADS TO REVERSE ROTATION.
2. OPTIONAL THERMOSTATS ARE PROVIDED WHEN SPECIFIED.
3. ACTUAL NUMBER OF INTERNAL PARALLEL CIRCUITS MAY BE A MULTIPLE OF THOSE SHOWN ABOVE.
4. LEAD COLORS ARE OPTIONAL. LEADS MUST ALWAYS BE NUMBERED AS SHOWN.

CD0180

REV. DESC: ADD CLASS CONN00000007		
REV. LTR: D	VERSION: 01	TDR: 000001099922
FILE: \AAA\00005\148	REVISED: 10: 25: 29 02/19/2019	BY: ENBRIRO
MTL: -	© □	

**BALDOR - RELIANCE®**

3PH, DV, 9 LEADS, DELTA CONNECTION

SH 1 of 1