

**BALDOR • RELIANCE**

---

# Customer information packet

## CECG358030T

CECG358030T 230VAC, 3HP, 900RPM

**Specifications**

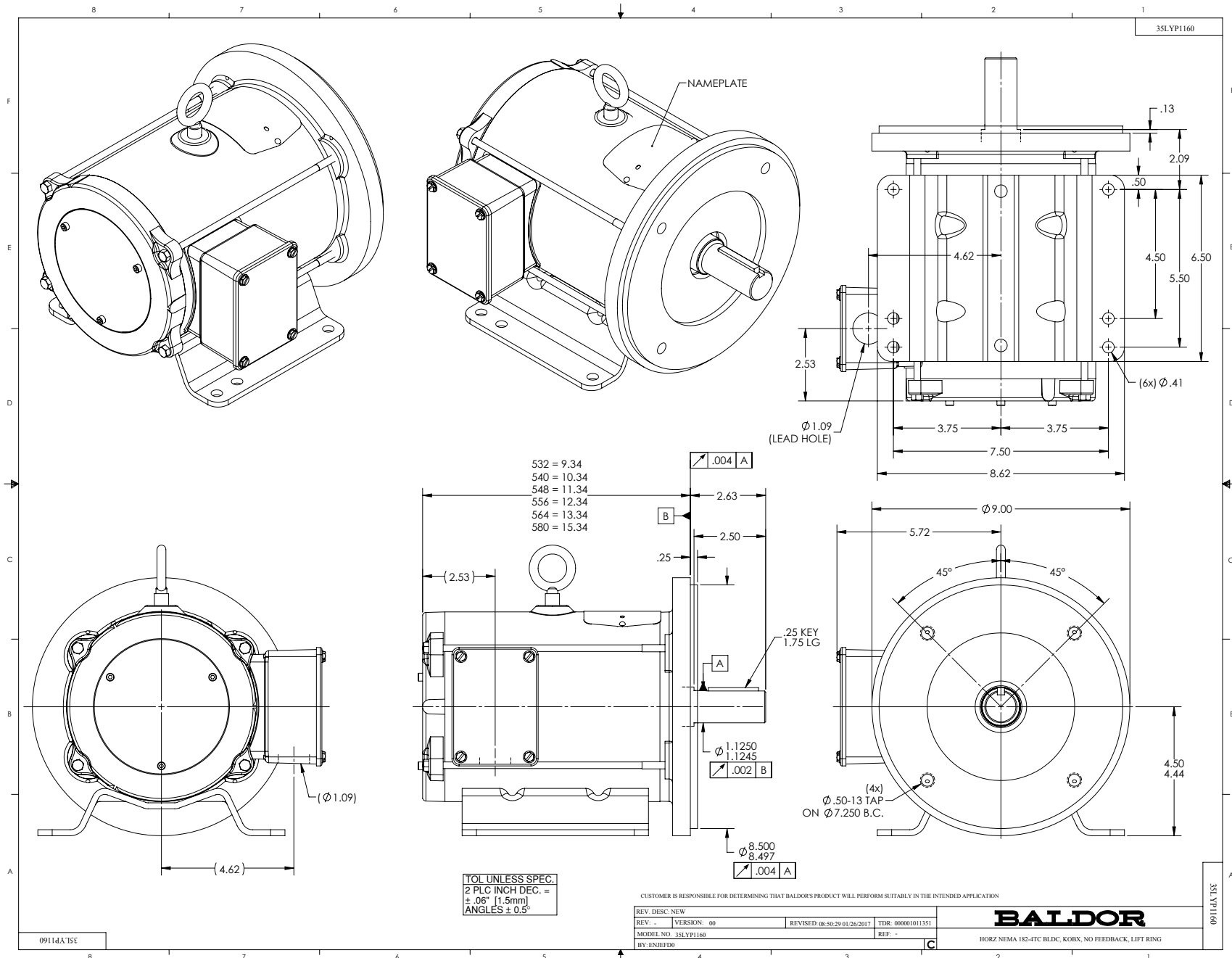
<b>Enclosure</b>	TENV
<b>Nameplate Speed</b>	900
<b>Agency Approvals</b>	CSA UR
<b>Base Indicator</b>	Rigid
<b>Dimensional Drawing Numbers</b>	35LYP1160
<b>Frame</b>	182TC
<b>Frame Material</b>	Steel
<b>Motor Lead Quantity/Wire Size</b>	3 @ 14 AWG
<b>Motor Standards</b>	NEMA
<b>Mounting Arrangement</b>	F1
<b>Nameplate Output</b>	3
<b>Shaft Rotation</b>	Reversible
<b>Thermal Device - Winding</b>	Normally Closed Thermostat

**Part detail**

<b>Revision</b>	F
<b>Type</b>	AC
<b>Mech. spec.</b>	35P1160
<b>Base</b>	
<b>Status</b>	PRD/A
<b>Elec. spec.</b>	35WGL459
<b>Layout</b>	35LYP1160
<b>Eff. date</b>	10-29-2024
<b>CD Diagram</b>	CD0006A02
<b>Poles</b>	08
<b>Leads</b>	3#14
<b>Proprietary</b>	False
<b>Created date</b>	01-26-2017

**Nameplate**

<b>NP3620L</b>			
<b>CAT.NO.</b>	CECG358030T		
<b>SPEC.</b>	35P1160L459		
<b>HP</b>	3	<b>RPM</b>	900
<b>FRAME</b>	182TC	<b>SER.F.</b>	1.00
<b>AC VOLTS</b>	230		
<b>MOT NOM CURRENT</b>	8.79		
<b>MOT NOM FREQ</b>	60		
<b>BEMF</b>	183.69		
<b>CLASS</b>	F	<b>AMB</b>	40
<b>DUTY</b>	CONT	<b>ENCL</b>	TENV
<b>DE</b>	6207	<b>ODE</b>	6205
<b>SN</b>			



CD1212

MOTOR CONNECTIONS

FUNCTION	INTERNAL/EXTERNAL MARKINGS
GROUND	GREEN/YELLOW
U	BLACK OR T1
V	RED OR T2
W	BLUE OR T3
* THERMAL SWITCH	YELLOW OR BLUE
* THERMAL SWITCH	YELLOW OR BLUE
* BRAKE	BLACK
* BRAKE	BLACK

\* WHEN REQUIRED

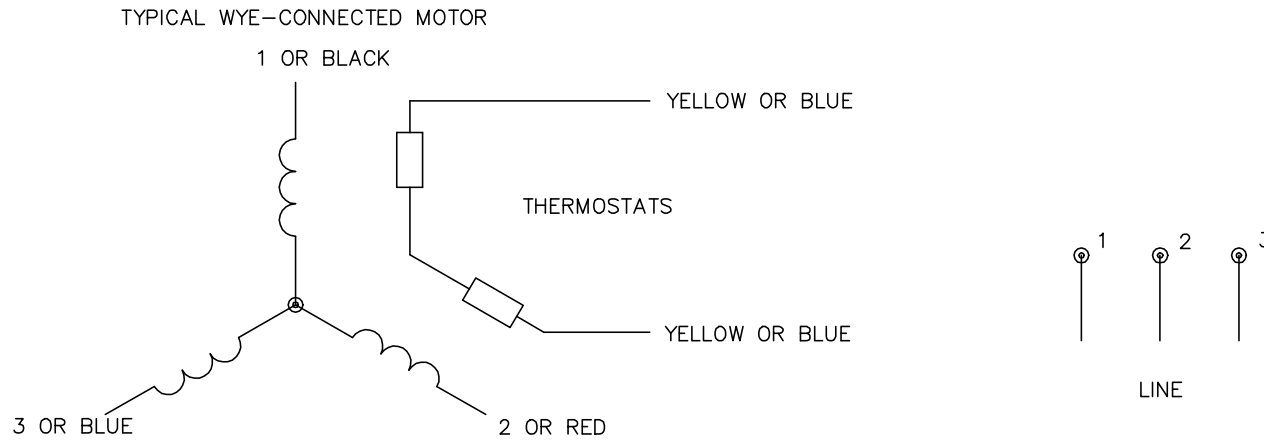
CD1212

REV. DESC: REMOVE "BSM90 & 100" FROM DESCRIPTION		
REV. LTR: C	VERSION: 02	TDR: 000001064992
FILE: \AAA\00043\247	REVISED: 01:04:07 03/20/2018	BY: ENJFDO
MTL: -	© □	

**BALDOR - RELIANCE**

WIRING DIAG - POWER LEADS ONLY, FOR MOTORS WITH FLYING LEADS  
SH 1 of 1

CD0006A02



NOTES:

1. INTERCHANGE ANY TWO LINE LEADS TO REVERSE ROTATION.
2. ACTUAL NUMBER OF INTERNAL PARALLEL CIRCUITS MAY VARY.

REV. DESC: REMOVED "OPTIONAL" FROM PRINT, SERVO REQ'S T'STATS		
REV. LTR: D	VERSION: 03	TDR: 000000414937
20V900000	FILE: \AAA\00068\606	REVISED: 10:02:28 11/21/2006
	MTL: -	BY: ENJEFD0

**BALDOR ELECTRIC Co.**

3PH, SV, 3 LEADS, WYE CONNECTED

CD0006A02