

BALDOR • RELIANCE

Customer information packet

CECG338015T

CECG338015T 230VAC, 1.5HP, 900RPM

Specifications

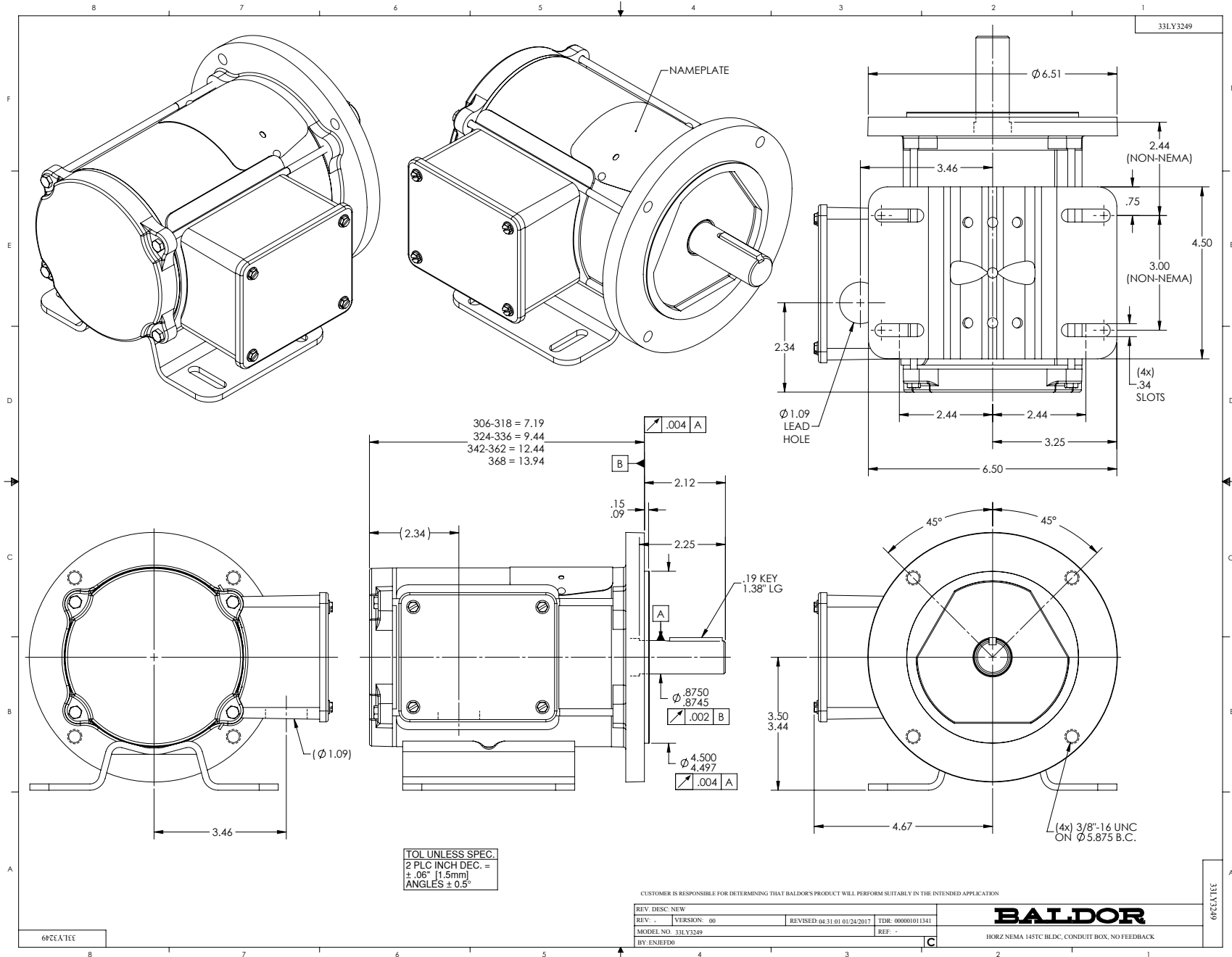
Enclosure	TENV
Nameplate Speed	900
Agency Approvals	CSA UR
Base Indicator	Rigid
Dimensional Drawing Numbers	33LY3249
Frame	145TC
Frame Material	Steel
Motor Lead Quantity/Wire Size	3 @ 14 AWG
Motor Standards	NEMA
Mounting Arrangement	F1
Nameplate Output	1.500
Shaft Rotation	Reversible
Thermal Device - Winding	Normally Closed Thermostat

Part detail

Revision	B
Type	AC
Mech. spec.	33-3249
Base	
Status	PRD/A
Elec. spec.	33WGT030
Layout	33LY3249
Eff. date	05-26-2021
CD Diagram	CD0006A02
Poles	08
Leads	3#14
Proprietary	False
Created date	03-01-2017

Nameplate

NP3620L			
CAT.NO.	CECG338015T		
SPEC.	33-3249T030		
HP	1.5	RPM	900
FRAME	145TC	SER.F.	1.00
AC VOLTS	230		
MOT NOM CURRENT	5.24		
MOT NOM FREQ	60		
BEMF	136.98		
CLASS	F	AMB	40
DUTY	CONT	ENCL	TENV
DE	6205	ODE	6203
SN			



CD1212

MOTOR CONNECTIONS

FUNCTION	INTERNAL/EXTERNAL MARKINGS
GROUND	GREEN/YELLOW
U	BLACK OR T1
V	RED OR T2
W	BLUE OR T3
* THERMAL SWITCH	YELLOW OR BLUE
* THERMAL SWITCH	YELLOW OR BLUE
* BRAKE	BLACK
* BRAKE	BLACK

* WHEN REQUIRED

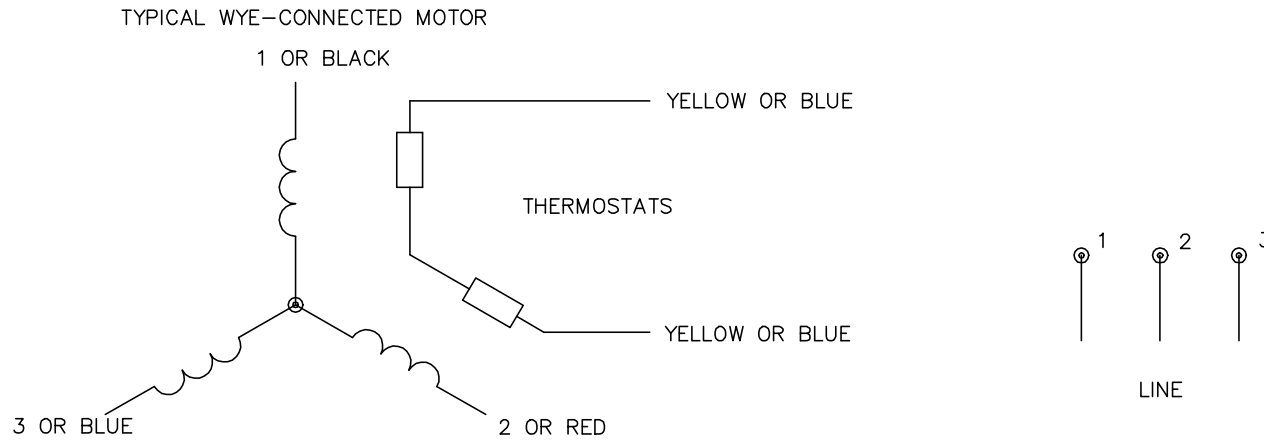
CD1212

REV. DESC: REMOVE "BSM90 & 100" FROM DESCRIPTION		
REV. LTR: C	VERSION: 02	TDR: 000001064992
FILE: \AAA\00043\247	REVISED: 01:04:07 03/20/2018	BY: ENJFDO
MTL: -	© □	

BALDOR - RELIANCE

WIRING DIAG - POWER LEADS ONLY, FOR MOTORS WITH FLYING LEADS
SH 1 of 1

CD0006A02



NOTES:

1. INTERCHANGE ANY TWO LINE LEADS TO REVERSE ROTATION.
2. ACTUAL NUMBER OF INTERNAL PARALLEL CIRCUITS MAY VARY.

REV. DESC: REMOVED "OPTIONAL" FROM PRINT, SERVO REQ'S T'STATS		
REV. LTR: D	VERSION: 03	TDR: 000000414937
CD0006A02	FILE: \AAA\00068\606	REVISED: 10:02:28 11/21/2006
	MTL: -	BY: ENJFDO

BALDOR ELECTRIC Co.

3PH, SV, 3 LEADS, WYE CONNECTED

CD0006A02