

BALDOR® • RELIANCE™

Customer information packet

CECG334020T

CECG334020T 230VAC, 2HP, 1800RPM

Specifications

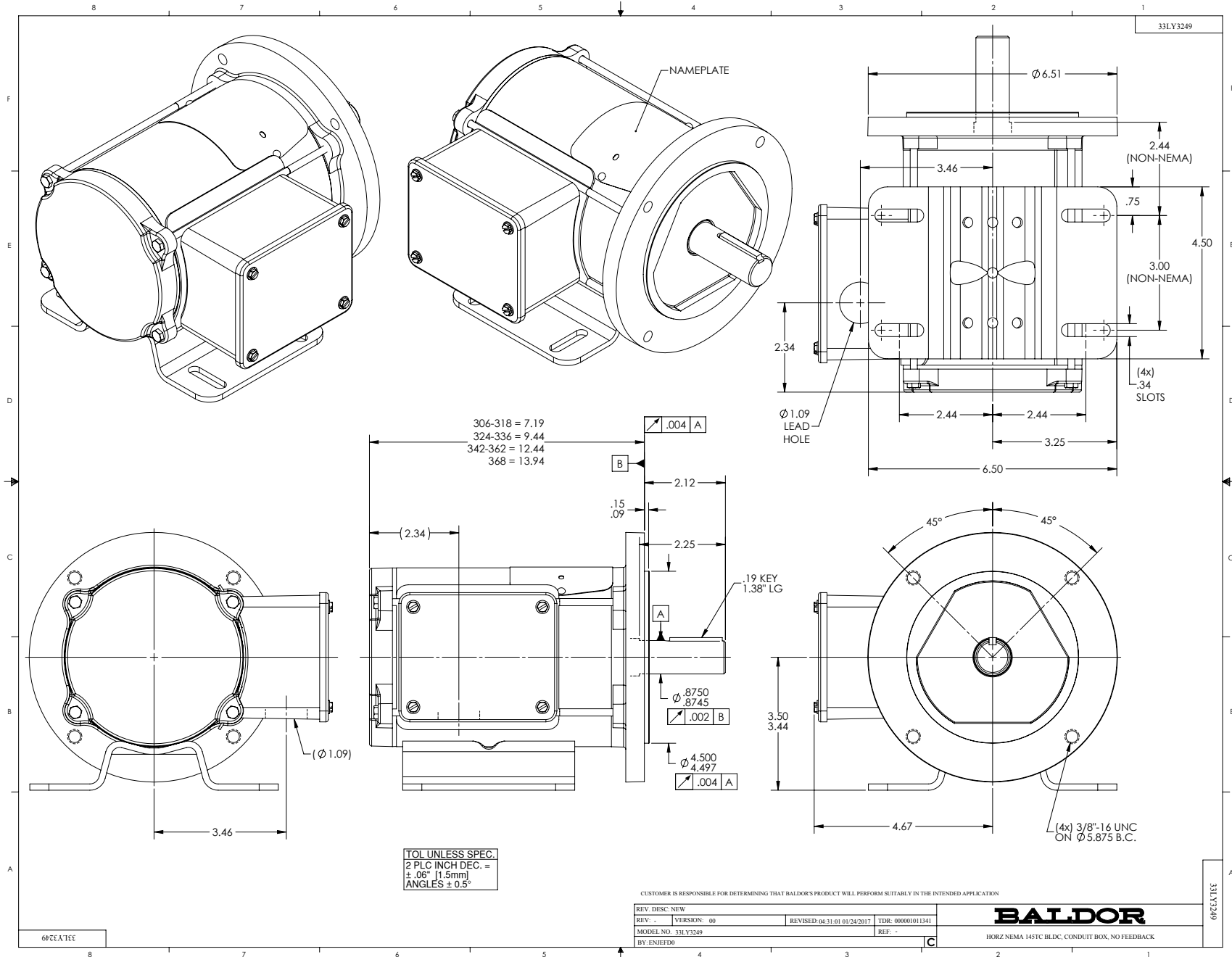
Enclosure	TENV
Nameplate Speed	1800
Agency Approvals	CSA UR
Base Indicator	Rigid
Dimensional Drawing Numbers	33LY3249
Frame	145TC
Frame Material	Steel
Motor Lead Quantity/Wire Size	3 @ 18 AWG
Motor Standards	NEMA
Mounting Arrangement	F1
Nameplate Output	2.000
Shaft Rotation	Reversible
Thermal Device - Winding	Normally Closed Thermostat

Part detail

Revision	F
Type	AC
Mech. spec.	33-3249
Base	
Status	PRD/A
Elec. spec.	33WGW939
Layout	33LY3249
Eff. date	09-13-2024
CD Diagram	CD0006A02
Poles	08
Leads	3#18
Proprietary	False
Created date	01-30-2017

Nameplate

NP3620L			
CAT.NO.	CECG334020T		
SPEC.	33-3249W939G1		
HP	2	RPM	1800
FRAME	145TC	SER.F.	1.00
AC VOLTS	230		
MOT NOM CURRENT	5.70		
MOT NOM FREQ	120		
BEMF	167.94		
CLASS	F	AMB	40
DUTY	CONT	ENCL	TENV
DE	6205	ODE	6203
SN			



CD1212

MOTOR CONNECTIONS

FUNCTION	INTERNAL/EXTERNAL MARKINGS
GROUND	GREEN/YELLOW
U	BLACK OR T1
V	RED OR T2
W	BLUE OR T3
* THERMAL SWITCH	YELLOW OR BLUE
* THERMAL SWITCH	YELLOW OR BLUE
* BRAKE	BLACK
* BRAKE	BLACK

* WHEN REQUIRED

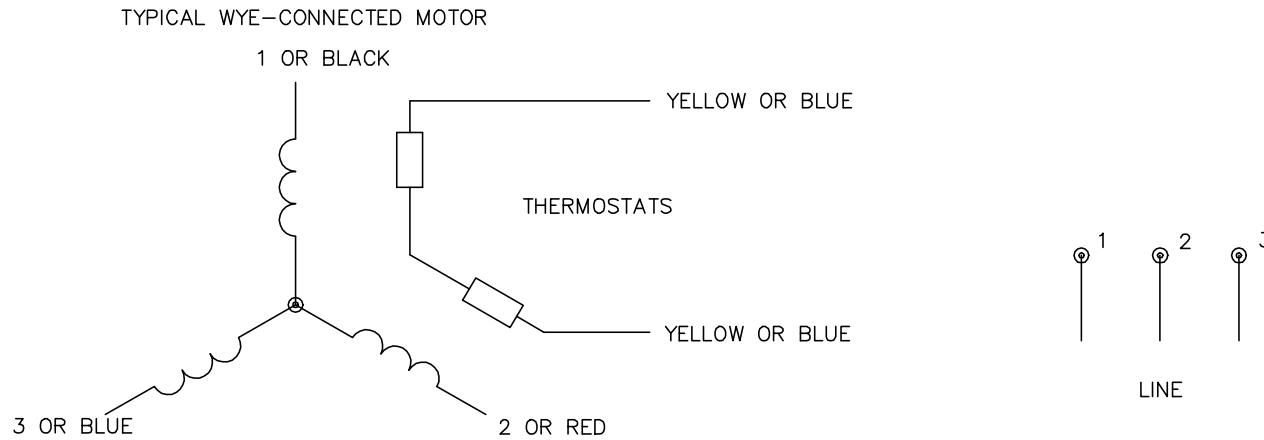
CD1212

REV. DESC: REMOVE "BSM90 & 100" FROM DESCRIPTION		
REV. LTR: C	VERSION: 02	TDR: 000001064992
FILE: \AAA\00043\247	REVISED: 01:04:07 03/20/2018	BY: ENJFDO
MTL: -	© □	

BALDOR - RELIANCE

WIRING DIAG - POWER LEADS ONLY, FOR MOTORS WITH FLYING LEADS
SH 1 of 1

CD0006A02



NOTES:

1. INTERCHANGE ANY TWO LINE LEADS TO REVERSE ROTATION.
2. ACTUAL NUMBER OF INTERNAL PARALLEL CIRCUITS MAY VARY.

REV. DESC: REMOVED "OPTIONAL" FROM PRINT, SERVO REQ'S T'STATS		
REV. LTR: D	VERSION: 03	TDR: 000000414937
CD0006A02	FILE: \AAA\00068\606	REVISED: 10:02:28 11/21/2006
	MTL: -	BY: ENJEFD0

BALDOR ELECTRIC Co.

3PH, SV, 3 LEADS, WYE CONNECTED

CD0006A02