

BALDOR • RELIANCE

Customer information packet

CECG332015-4

CECG332015-4 460VAC, 1.5HP, 3600RPM

Specifications

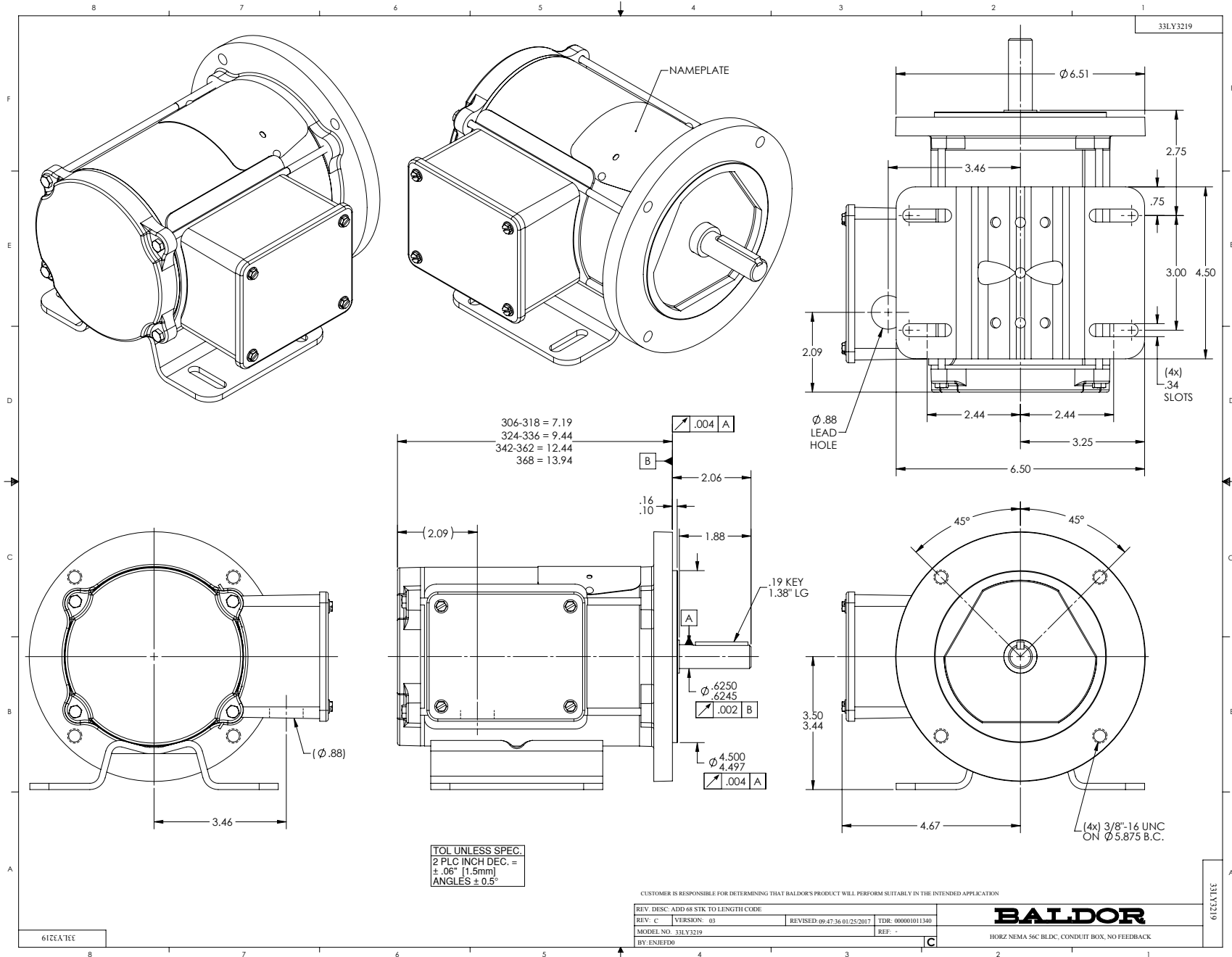
Enclosure	TENV
Nameplate Speed	3600
Agency Approvals	CSA UR
Base Indicator	Rigid
Dimensional Drawing Numbers	33LY3219
Frame	56C
Frame Material	Steel
Motor Lead Quantity/Wire Size	3 @ 18 AWG
Motor Standards	NEMA
Mounting Arrangement	F1
Nameplate Output	1.5
Shaft Rotation	Reversible
Thermal Device - Winding	Normally Closed Thermostat

Part detail

Revision	F
Type	AC
Mech. spec.	33-3219
Base	
Status	PRD/A
Elec. spec.	33WGT047
Layout	33LY3219
Eff. date	10-31-2024
CD Diagram	CD0006A02
Poles	08
Leads	3#18
Proprietary	False
Created date	03-03-2017

Nameplate

NP3620L			
CAT.NO.	CECG332015-4		
SPEC.	33-3219T047		
HP	1.5	RPM	3600
FRAME	56C	SER.F.	1.00
AC VOLTS	460		
MOT NOM CURRENT	1.73		
MOT NOM FREQ	240		
BEMF	415.44		
CLASS	F	AMB	40
DUTY	CONT	ENCL	TENV
DE	6205	ODE	6203
SN			



CD1212

MOTOR CONNECTIONS

FUNCTION	INTERNAL/EXTERNAL MARKINGS
GROUND	GREEN/YELLOW
U	BLACK OR T1
V	RED OR T2
W	BLUE OR T3
* THERMAL SWITCH	YELLOW OR BLUE
* THERMAL SWITCH	YELLOW OR BLUE
* BRAKE	BLACK
* BRAKE	BLACK

* WHEN REQUIRED

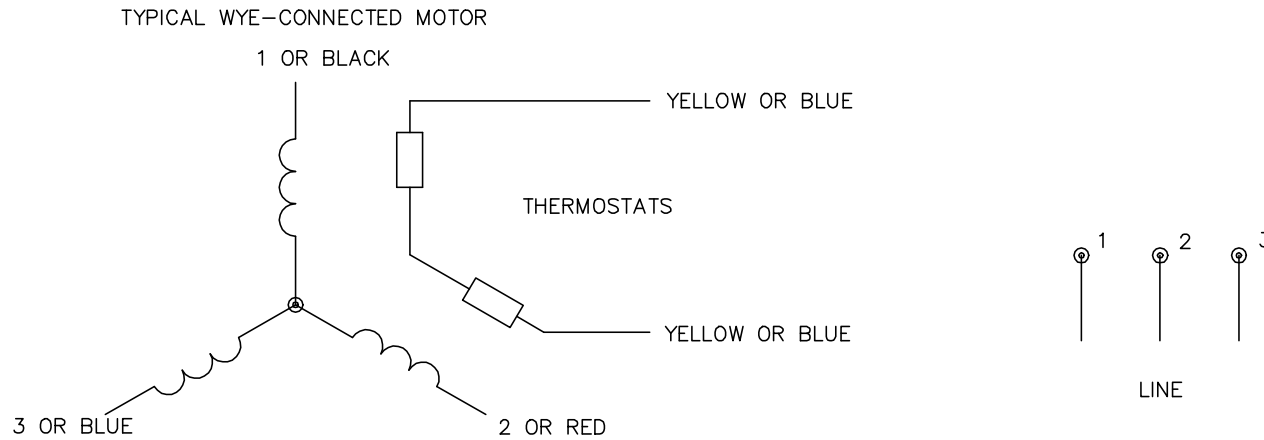
CD1212

REV. DESC: REMOVE "BSM90 & 100" FROM DESCRIPTION		
REV. LTR: C	VERSION: 02	TDR: 000001064992
FILE: \AAA\00043\247	REVISED: 01:04:07 03/20/2018	BY: ENJFDO
MTL: -	© □	

BALDOR - RELIANCE

WIRING DIAG - POWER LEADS ONLY, FOR MOTORS WITH FLYING LEADS
SH 1 of 1

CD0006A02



NOTES:

1. INTERCHANGE ANY TWO LINE LEADS TO REVERSE ROTATION.
2. ACTUAL NUMBER OF INTERNAL PARALLEL CIRCUITS MAY VARY.

REV. DESC: REMOVED "OPTIONAL" FROM PRINT, SERVO REQ'S T'STATS		
REV. LTR: D	VERSION: 03	TDR: 000000414937
CD0006A02	FILE: \AAA\00068\606	REVISED: 10:02:28 11/21/2006
	MTL: -	BY: ENJEFD0

BALDOR ELECTRIC Co.

3PH, SV, 3 LEADS, WYE CONNECTED

CD0006A02