

BALDOR® • RELIANCE™

Customer information packet

CDRX32544T-5

50HP, 1775RPM, 3PH, 60HZ, 326TC, XPFC, F1

Class - CLI GP C,D

Division - Division I

Copyright © All product information within this document is subject to ABB Motors and Mechanical Inc. copyright © protection, unless otherwise noted.

10/5/2024 2:10:55 AM

Specifications

Enclosure	XPFC
Frame	326TC
Frame Material	Iron
Frequency	60.00 Hz
Haz Area Class and Group	CLI GP C,D
Haz Area Division	Division I
Motor Letter Type	Three Phase
Output @ Frequency	50.000 HP @ 60 HZ
Phase	3
Synchronous Speed @ Frequency	1800 RPM @ 60 HZ
Voltage @ Frequency	575.0 V @ 60 HZ
Agency Approvals	CSA EEV UL
Ambient Temperature	40 °C
Auxillary Box	No Auxillary Box
Auxillary Box Lead Termination	None
Base Indicator	Rigid
Bearing Grease Type	Polyrex EM (-20F +300F)
Blower	None
Constant Torque Speed Range	6
Current @ Voltage	47.000 A @ 575.0 V
Design Code	A
Drip Cover	No Drip Cover
Duty Rating	CONT
Efficiency @ 100% Load	94.5 %
Electrically Isolated Bearing	Not Electrically Isolated
Feedback Device	NO FEEDBACK
Haz Area Temp Code	T3C
Heater Indicator	No Heater
High Voltage Full Load Amps	47.0 a
Insulation Class	F
Inverter Code	Inverter Duty

Part detail

Revision	F
Type	AC
Mech. spec.	
Base	
Status	PRD/A
Elec. spec.	12WGY593
Layout	12LYT021
Eff. date	06-08-2023
CD Diagram	CD0006
Poles	04
Leads	3#8
Proprietary	False
Created date	07-24-2019

IP Rating	NONE
KVA Code	J
Lifting Lugs	Standard Lifting Lugs
Locked Bearing Indicator	Locked Bearing
Max Speed	2700 rpm
Motor Lead Termination	Flying Leads
Motor Standards	NEMA
Motor Type	1276M
Mounting Arrangement	F1
Number of Poles	4
Overall Length	32.00 IN
Power Factor	84
Product Family	Hazardous Location Motor
Pulley Face Code	C-Face
Rodent Screen	None
RoHS Status	ROHS NON-COMPLIANT
Service Factor	1.00
Shaft Diameter	2.125 IN
Shaft Ground Indicator	No Shaft Grounding
Shaft Rotation	Reversible
Speed	1775 rpm
Speed Code	Single Speed
Starting Method	Direct on line
Thermal Device - Bearing	None
Thermal Device - Winding	Normally Closed Thermostat
Vibration Sensor Indicator	No Vibration Sensor
Winding Thermal 1	None
Winding Thermal 2	None

Nameplate

NP1401XPSLEV

NO.		CC	010A				
S/N		TEMP CODE	T3C				
SPEC.	12-0000-0853	INV.TYPE	PWM				
CAT.NO.	CDRX32544T-5	C HP FR	60	C HP TO	90		
HP	50	CT HZ FROM	6	CT HZ TO	60		
VOLTS	575	VT HZ FROM	6	VT HZ TO	60		
AMPS	47	MAG CUR					
RPM	1775	MX RPM	2700				
HZ	60	PH	3	CL	F	NOM.EFF.	94.5
SER.F.	1.00	DES	A	SL HZ	0.83	WK2	10.1
FRAME	326TC	RATING	40C AMB-CONT				
	55C AMB @ 1.0 SF, 60C RISE						
	1.15SF ON SINEWAVE			NEMA MG-1 PT.5,IP55			

AC Induction Motor Performance Data

Record # 77585

Typical performance - not guaranteed values

Winding: 12WGY593-R002		Type: 1276M	Enclosure: XPFC
Nameplate Data		575 V, 60 Hz: Single Voltage Motor	
Rated Output (HP)	50	Full Load Torque	148 LB-FT
Volts	575	Start Configuration	direct on line
Full Load Amps	47	Breakdown Torque	560 LB-FT
R.P.M.	1775	Pull-up Torque	235 LB-FT
Hz	60 Phase	Locked-rotor Torque	278 LB-FT
NEMA Design Code	A KVA Code	Starting Current	378 A
Service Factor (S.F.)	1	No-load Current	19.8 A
NEMA Nom. Eff.	94.5 Power Factor	Line-line Res. @ 25°C	0.145 Ω
Rating - Duty	40C AMB-CONT	Temp. Rise @ Rated Load	55°C
S.F. Amps		Temp. Rise @ S.F. Load	66°C
		Locked-rotor Power Factor	26.3
		Rotor inertia	10.1 LB-FT ²

Load Characteristics 575 V, 60 Hz, 50 HP

% of Rated Load	25	50	75	100	125	150
Power Factor	45	68	78	84	86	87
Efficiency	91.1	94.3	94.8	95.2	94.7	94
Speed	1794	1789	1784	1779	1774	1767
Line amperes	22.6	29.3	37.6	47	57.7	68.8

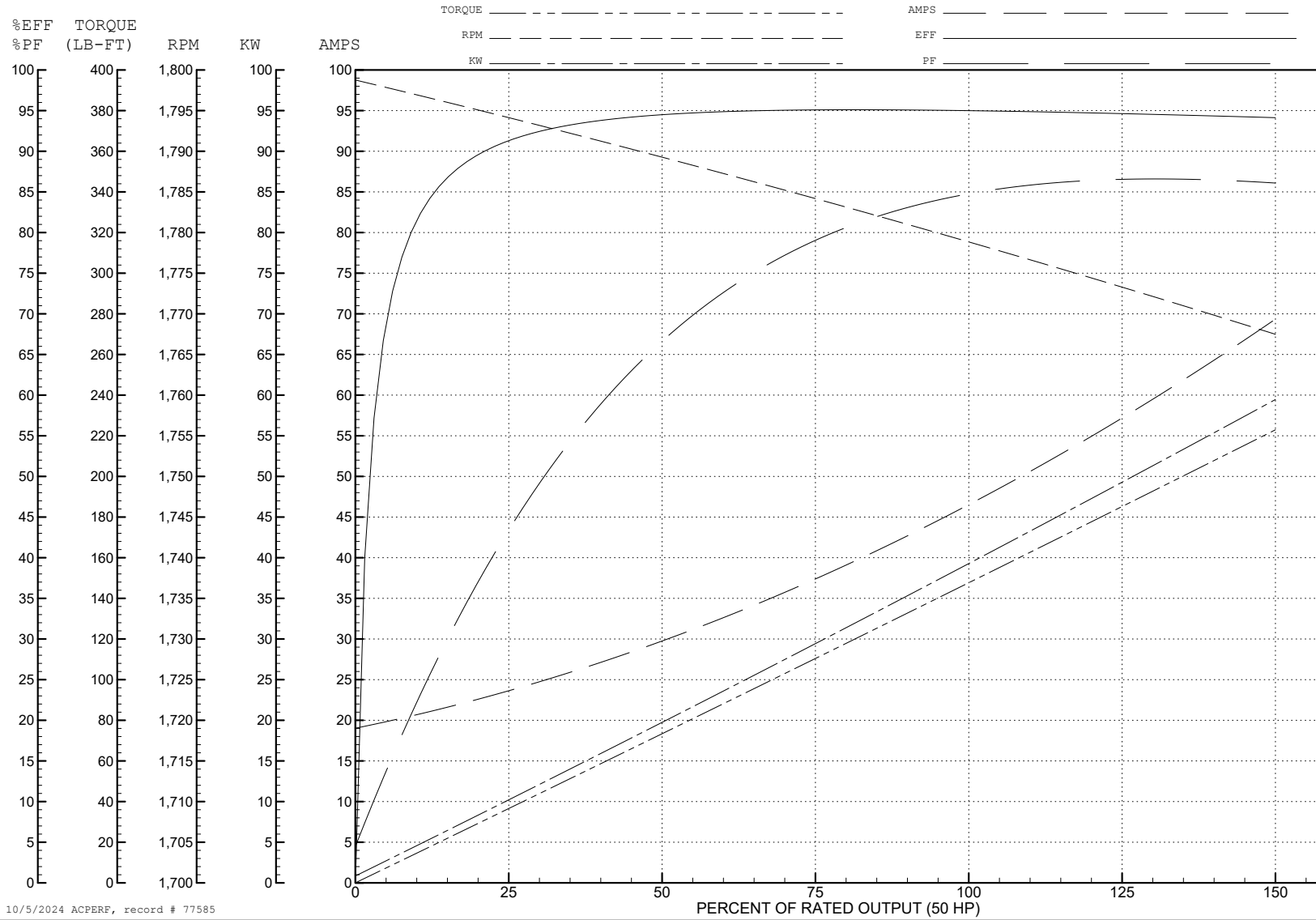
ABB Motors and Mechanical Inc.

WINDING # 12WGY593

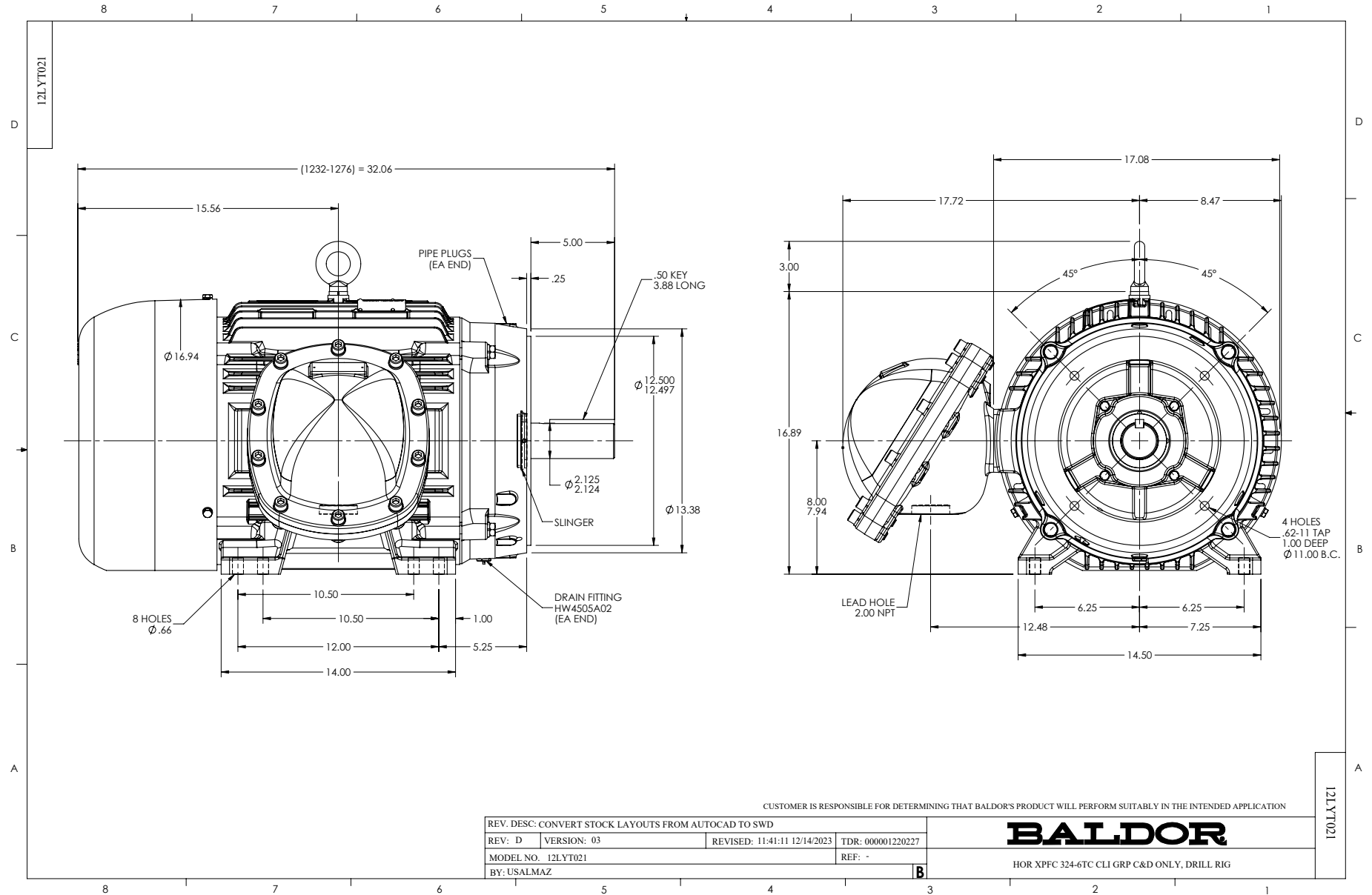
Typical performance - not guaranteed values.

50 HP 3 PH 60 HZ 1775 RPM 575 V 1276M

TORQUES (LB-FT): PO=560 PU=235 LR=278 LRA=378



10/5/2024 ACPERF, record # 77585



CD0006



NOTES:

1. THREE LEAD MOTOR MAY BE EITHER WYE CONNECTED OR DELTA CONNECTED.
2. INTERCHANGE ANY TWO LINE LEADS TO REVERSE ROTATION.
3. OPTIONAL THERMOSTATS ARE PROVIDED WHEN SPECIFIED.
4. ACTUAL NUMBER OF INTERNAL PARALLEL CIRCUITS MAY VARY.
5. LEAD COLORS ARE OPTIONAL. LEADS MUST BE NUMBERED AS SHOWN.

CD0006

REV. DESC: ADD CLASS CONN00000007		
REV. LTR: E	VERSION: 01	TDR: 000001099922
FILE: \AAA\00005\141	REVISED: 10:24:49 02/19/2019	BY: ENBRIRO
MTL: -	© □	

BALDOR - RELIANCE®

3PH, SV, 3 LEADS, WYE OR DELTA CONNECTED

SH 1 of 1