

BALDOR • RELIANCE

Customer information packet

CDRX32524T-5

50HP, 3560RPM, 3PH, 60HZ, 326TSC, XPFC, F1

Class - CLI GP C,D

Division - Division I

Specifications

Enclosure	XPFC
Frame	326TSC
Frame Material	Iron
Frequency	60.00 Hz
Haz Area Class and Group	CLI GP C,D
Haz Area Division	Division I
Motor Letter Type	Three Phase
Output @ Frequency	50.000 HP @ 60 HZ
Phase	3
Synchronous Speed @ Frequency	3600 RPM @ 60 HZ
Voltage @ Frequency	575.0 V @ 60 HZ
Agency Approvals	CSA EEV UL
Ambient Temperature	40 °C
Auxillary Box	No Auxillary Box
Auxillary Box Lead Termination	None
Base Indicator	Rigid
Bearing Grease Type	Polyrex EM (-20F +300F)
Blower	None
Constant Torque Speed Range	6
Current @ Voltage	45.000 A @ 575.0 V
Design Code	A
Drip Cover	No Drip Cover
Duty Rating	CONT
Efficiency @ 100% Load	93.0 %
Electrically Isolated Bearing	Not Electrically Isolated
Feedback Device	NO FEEDBACK
Haz Area Temp Code	T3C
Heater Indicator	No Heater
High Voltage Full Load Amps	45.0 a
Insulation Class	F
Inverter Code	Inverter Duty

Part detail

Revision	E
Type	AC
Mech. spec.	
Base	
Status	PRD/A
Elec. spec.	12WGY735
Layout	12LYH659
Eff. date	12-10-2024
CD Diagram	CD0006
Poles	02
Leads	3#8
Proprietary	False
Created date	07-24-2019

IP Rating	NONE
KVA Code	K
Lifting Lugs	Standard Lifting Lugs
Locked Bearing Indicator	Locked Bearing
Max Speed	5400 rpm
Motor Lead Termination	Flying Leads
Motor Standards	NEMA
Motor Type	1264M
Mounting Arrangement	F1
Number of Poles	2
Overall Length	30.50 IN
Power Factor	89
Product Family	Hazardous Location Motor
Pulley Face Code	C-Face
Rodent Screen	None
RoHS Status	ROHS NON-COMPLIANT
Service Factor	1.00
Shaft Diameter	1.875 IN
Shaft Ground Indicator	No Shaft Grounding
Shaft Rotation	Reversible
Speed	3560 rpm
Speed Code	Single Speed
Starting Method	Direct on line
Thermal Device - Bearing	None
Thermal Device - Winding	Normally Closed Thermostat
Vibration Sensor Indicator	No Vibration Sensor
Winding Thermal 1	None
Winding Thermal 2	None

Nameplate

NP1401XPSLEV

NO.		CC	010A				
S/N		TEMP CODE	T3C				
SPEC.	12-0000-0859	INV.TYPE	PWM				
CAT.NO.	CDRX32524T-5	C HP FR	60	C HP TO	90		
HP	50	CT HZ FROM	6	CT HZ TO	60		
VOLTS	575	VT HZ FROM	6	VT HZ TO	60		
AMPS	45	MAG CUR	14.1				
RPM	3560	MX RPM	5400				
HZ	60	PH	3	CL	F	NOM.EFF.	93
SER.F.	1.00	DES	A	SL HZ	0.67	WK2	5.01
FRAME	326TSC	RATING	40C AMB-CONT				
	55C AMB @ 1.0 SF, 60C RISE						
	1.15SF ON SINEWAVE			NEMA MG-1 PT.5,IP55			

AC Induction Motor Performance Data

Record # 77589

Typical performance - not guaranteed values

Winding: 12WGY735-R002		Type: 1264M	Enclosure: XPFC
Nameplate Data		575 V, 60 Hz: Single Voltage Motor	
Rated Output (HP)	50	Full Load Torque	74.1 LB-FT
Volts	575	Start Configuration	direct on line
Full Load Amps	45	Breakdown Torque	287 LB-FT
R.P.M.	3560	Pull-up Torque	107 LB-FT
Hz	60 Phase	Locked-rotor Torque	137 LB-FT
NEMA Design Code	A KVA Code	Starting Current	404 A
Service Factor (S.F.)	1	No-load Current	14.1 A
NEMA Nom. Eff.	93 Power Factor	Line-line Res. @ 25°C	0.132 Ω
Rating - Duty	40C AMB-CONT	Temp. Rise @ Rated Load	53°C
S.F. Amps		Temp. Rise @ S.F. Load	64°C
		Locked-rotor Power Factor	21.5
		Rotor inertia	4.98 LB-FT ²

Load Characteristics 575 V, 60 Hz, 50 HP

% of Rated Load	25	50	75	100	125	150
Power Factor	58	79	86	89	90	91
Efficiency	91.4	94.2	94.6	94.5	94	93.4
Speed	3590	3581	3570	3560	3549	3539
Line amperes	17.9	25.4	34.8	44.5	55.2	65.9

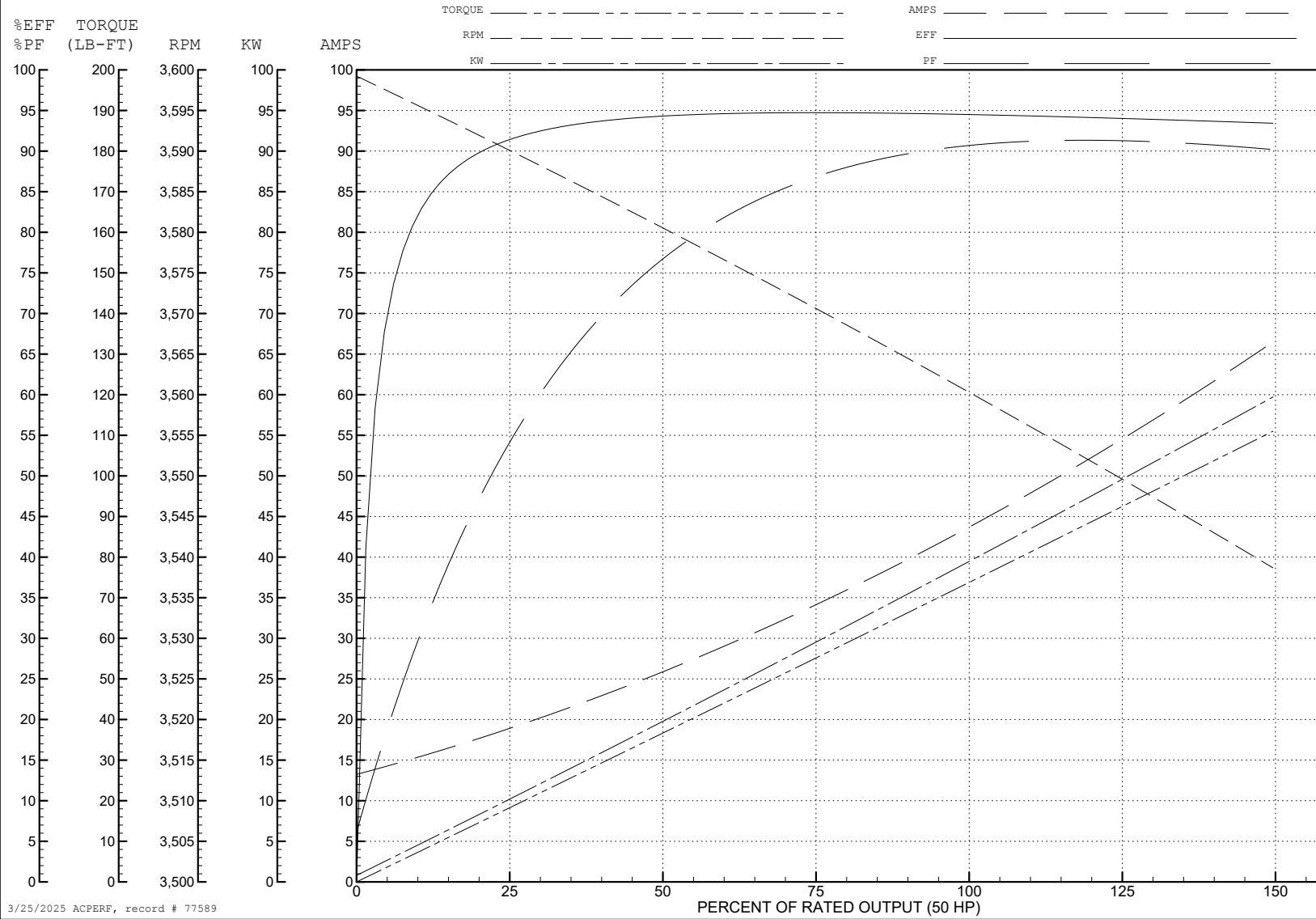
ABB Motors and Mechanical Inc.

WINDING # 12WGY735

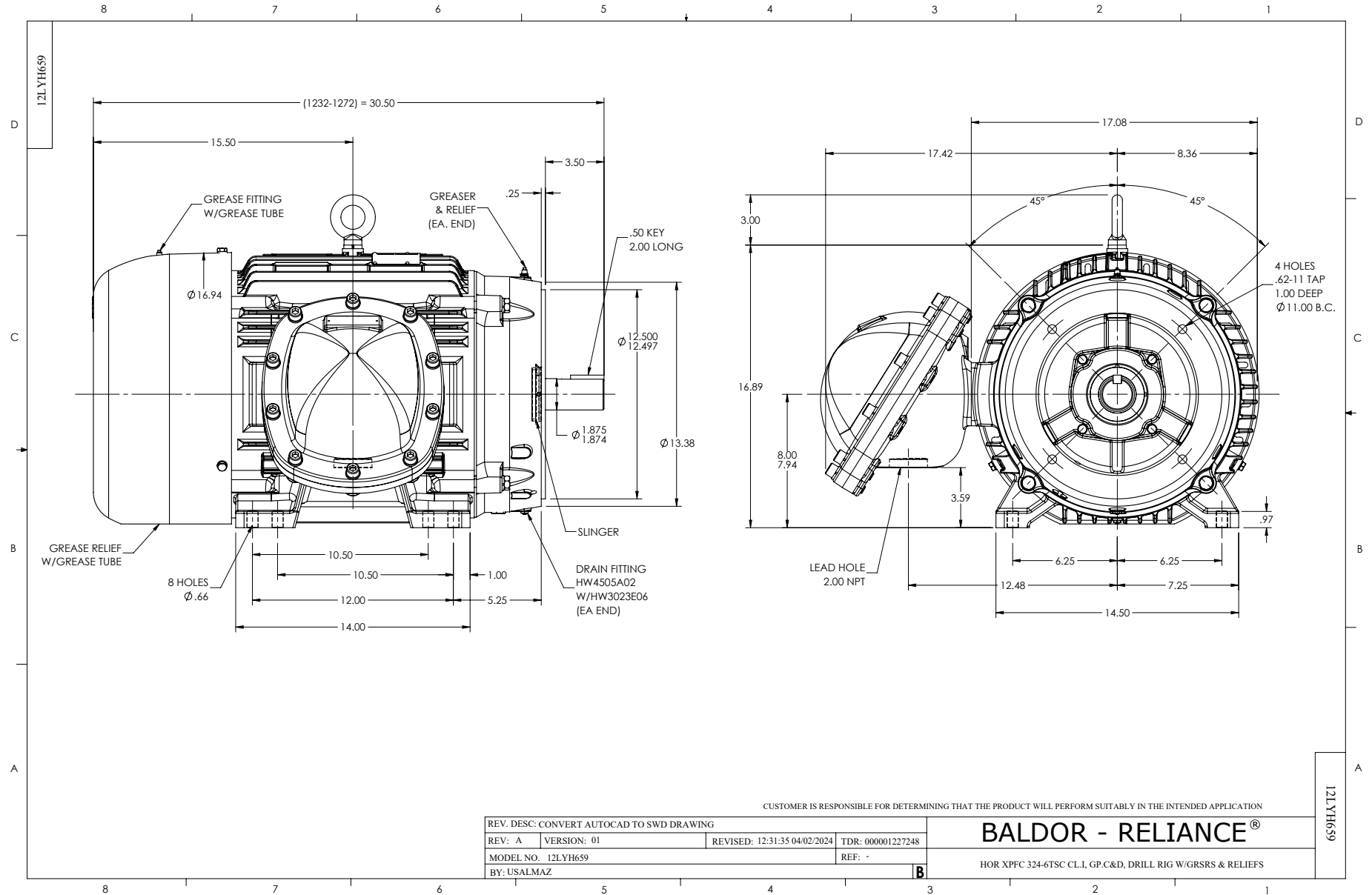
Typical performance - not guaranteed values.

50 HP 3 PH 60 HZ 3560 RPM 575 V 1264M

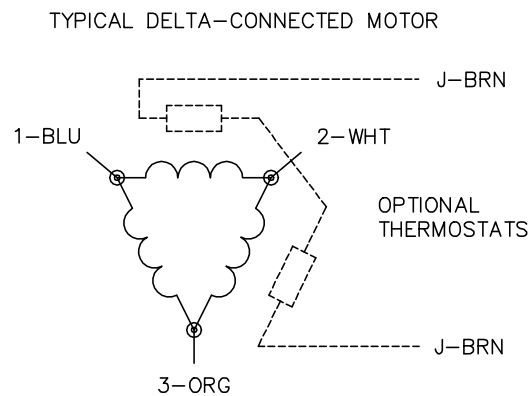
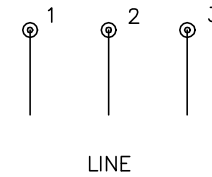
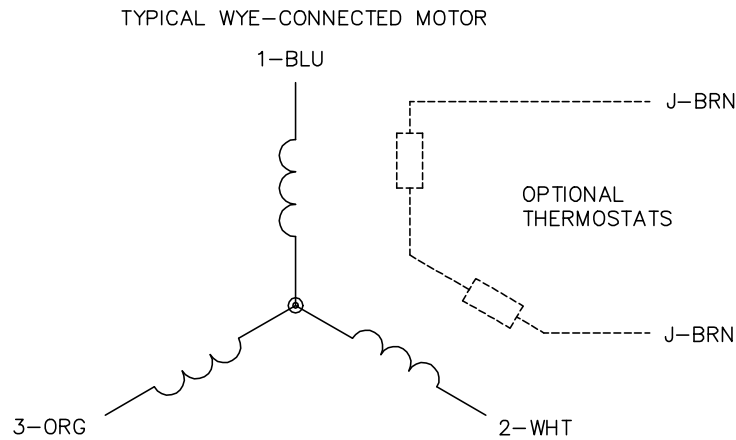
TORQUES (LB-FT): PO=287 PU=107 LR=137 LRA=404



3/25/2025 ACPERF, record # 77589



CD0006



NOTES:

1. THREE LEAD MOTOR MAY BE EITHER WYE CONNECTED OR DELTA CONNECTED.
2. INTERCHANGE ANY TWO LINE LEADS TO REVERSE ROTATION.
3. OPTIONAL THERMOSTATS ARE PROVIDED WHEN SPECIFIED.
4. ACTUAL NUMBER OF INTERNAL PARALLEL CIRCUITS MAY VARY.
5. LEAD COLORS ARE OPTIONAL. LEADS MUST BE NUMBERED AS SHOWN.

CD0006

REV. DESC: ADD CLASS CONN00000007		
REV. LTR: E	VERSION: 01	TDR: 000001099922
FILE: \AAA\00005\141	REVISED: 10:24:49 02/19/2019	BY: ENBRIRO
MTL: -	© □	

BALDOR - RELIANCE®

3PH, SV, 3 LEADS, WYE OR DELTA CONNECTED

SH 1 of 1