

**BALDOR • RELIANCE**

---

# Customer information packet

## CDRX32424T-5

40HP, 3540RPM, 3PH, 60HZ, 324TSC, XPFC, F1

Class - CLI GP C,D

Division - Division I

Copyright © All product information within this document is subject to ABB Motors and Mechanical Inc. copyright © protection, unless otherwise noted.

10/5/2024 1:13:33 AM

## Specifications

Enclosure	XPFC
Frame	324TSC
Frame Material	Iron
Frequency	60.00 Hz
Haz Area Class and Group	CLI GP C,D
Haz Area Division	Division I
Motor Letter Type	Three Phase
Output @ Frequency	40.000 HP @ 60 HZ
Phase	3
Synchronous Speed @ Frequency	3600 RPM @ 60 HZ
Voltage @ Frequency	575.0 V @ 60 HZ
Agency Approvals	CSA EEV UL
Ambient Temperature	40 °C
Auxillary Box	No Auxillary Box
Auxillary Box Lead Termination	None
Base Indicator	Rigid
Bearing Grease Type	Polyrex EM (-20F +300F)
Blower	None
Constant Torque Speed Range	6
Current @ Voltage	36.000 A @ 575.0 V
Design Code	A
Drip Cover	No Drip Cover
Duty Rating	CONT
Efficiency @ 100% Load	92.4 %
Electrically Isolated Bearing	Not Electrically Isolated
Feedback Device	NO FEEDBACK
Haz Area Temp Code	T3C
Heater Indicator	No Heater
High Voltage Full Load Amps	36.0 a
Insulation Class	F
Inverter Code	Inverter Duty

## Part detail

Revision	D
Type	AC
Mech. spec.	
Base	
Status	PRD/A
Elec. spec.	12WGY734
Layout	12LYH659
Eff. date	06-08-2023
CD Diagram	CD0006
Poles	02
Leads	3#10
Proprietary	False
Created date	07-24-2019

<b>IP Rating</b>	NONE
<b>KVA Code</b>	H
<b>Lifting Lugs</b>	Standard Lifting Lugs
<b>Locked Bearing Indicator</b>	Locked Bearing
<b>Max Speed</b>	5400 rpm
<b>Motor Lead Termination</b>	Flying Leads
<b>Motor Standards</b>	NEMA
<b>Motor Type</b>	1252M
<b>Mounting Arrangement</b>	F1
<b>Number of Poles</b>	2
<b>Overall Length</b>	30.50 IN
<b>Power Factor</b>	88
<b>Product Family</b>	Hazardous Location Motor
<b>Pulley Face Code</b>	C-Face
<b>Rodent Screen</b>	None
<b>RoHS Status</b>	ROHS NON-COMPLIANT
<b>Service Factor</b>	1.00
<b>Shaft Diameter</b>	1.875 IN
<b>Shaft Ground Indicator</b>	No Shaft Grounding
<b>Shaft Rotation</b>	Reversible
<b>Speed</b>	3540 rpm
<b>Speed Code</b>	Single Speed
<b>Starting Method</b>	Direct on line
<b>Thermal Device - Bearing</b>	None
<b>Thermal Device - Winding</b>	Normally Closed Thermostat
<b>Vibration Sensor Indicator</b>	No Vibration Sensor
<b>Winding Thermal 1</b>	None
<b>Winding Thermal 2</b>	None

**Nameplate**

NP1401XPSLEV										
<b>NO.</b>		<b>CC</b>	010A							
<b>S/N</b>		<b>TEMP CODE</b>	T3C							
<b>SPEC.</b>	12-0000-0858		<b>INV.TYPE</b>	PWM						
<b>CAT.NO.</b>	CDRX32424T-5		<b>C HP FR</b>	60	<b>C HP TO</b>	90				
<b>HP</b>	40		<b>CT HZ FROM</b>	6	<b>CT HZ TO</b>	60				
<b>VOLTS</b>	575		<b>VT HZ FROM</b>	6	<b>VT HZ TO</b>	60				
<b>AMPS</b>	36		<b>MAG CUR</b>	9.1						
<b>RPM</b>	3540		<b>MX RPM</b>	5400						
<b>HZ</b>	60	<b>PH</b>	3	<b>CL</b>	F	<b>NOM.EFF.</b>	92.4			
<b>SER.F.</b>	1.00	<b>DES</b>	A	<b>SL HZ</b>	1	<b>WK2</b>	4.07			
<b>FRAME</b>	324TSC		<b>RATING</b>	40C AMB-CONT						
	55C AMB @ 1.0 SF, 60C RISE									
	1.15SF ON SINEWAVE					<b>NEMA MG-1 PT.5,IP55</b>				

**AC Induction Motor Performance Data**

Record # 77603

Typical performance - not guaranteed values

Winding: 12WGY734-R002		Type: 1252M	Enclosure: XPFC	
<b>Nameplate Data</b>			<b>575 V, 60 Hz: Single Voltage Motor</b>	
Rated Output (HP)	40	Full Load Torque	59.3 LB-FT	
Volts	575	Start Configuration	direct on line	
Full Load Amps	36	Breakdown Torque	244 LB-FT	
R.P.M.	3540	Pull-up Torque	83.5 LB-FT	
Hz	60 Phase	Locked-rotor Torque	115 LB-FT	
NEMA Design Code	A KVA Code	Starting Current	253 A	
Service Factor (S.F.)	1	No-load Current	9.06 A	
NEMA Nom. Eff.	92.4 Power Factor	Line-line Res. @ 25°C	0.197 Ω	
Rating - Duty	40C AMB-CONT	Temp. Rise @ Rated Load	59°C	
S.F. Amps		Temp. Rise @ S.F. Load	72°C	
		Locked-rotor Power Factor	20.7	
		Rotor inertia	4.07 LB-FT <sup>2</sup>	

**Load Characteristics 575 V, 60 Hz, 40 HP**

% of Rated Load	25	50	75	100	125	150
Power Factor	68	84	89	91	91	91
Efficiency	84.6	90.4	91.8	92.6	92	91.4
Speed	3587	3574	3560	3547	3532	3516
Line amperes	12.9	19.6	27.4	35.7	44.7	54

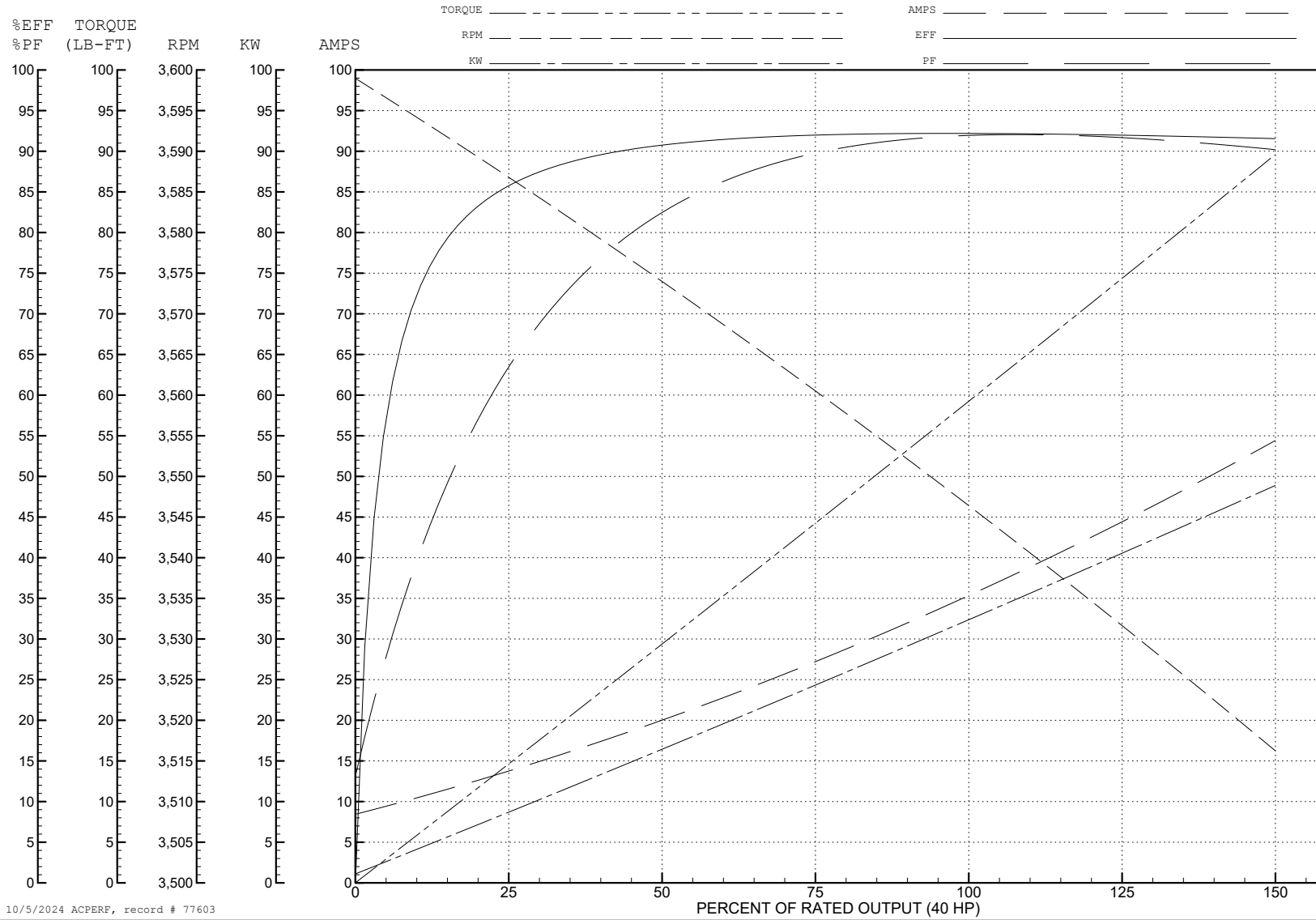
ABB Motors and Mechanical Inc.

WINDING # 12WGY734

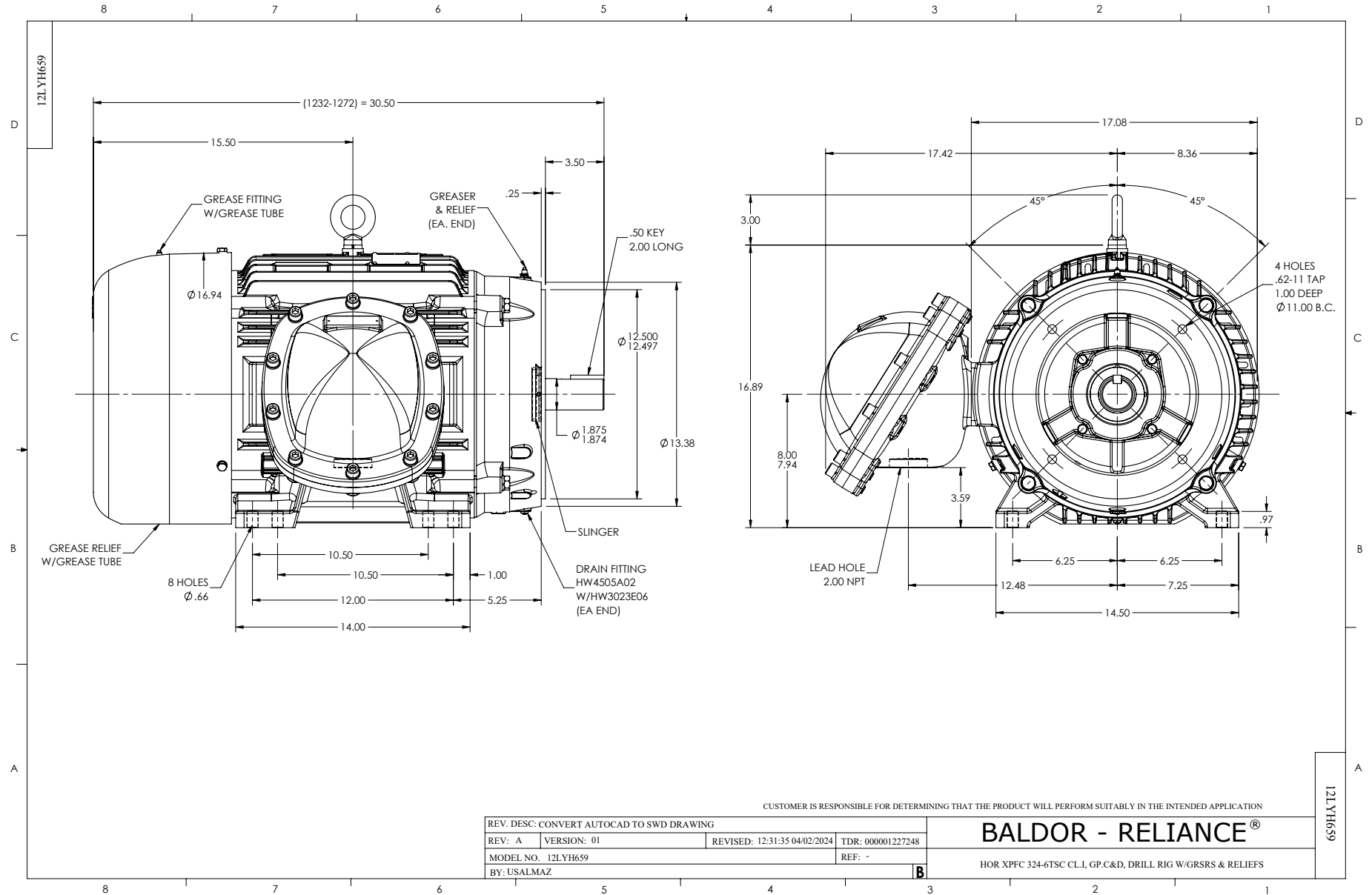
Typical performance - not guaranteed values.

40 HP 3 PH 60 HZ 3540 RPM 575 V 1252M

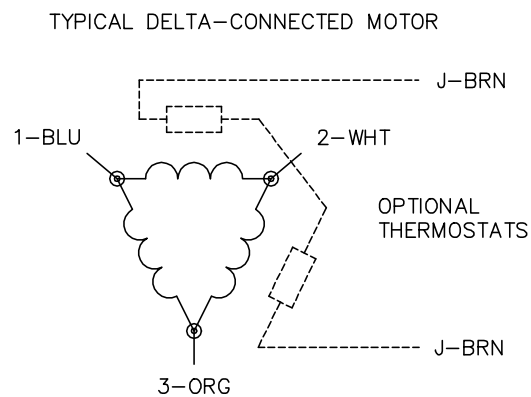
TORQUES (LB-FT): PO=244 PU=83.5 LR=115 LRA=253



10/5/2024 ACPERF, record # 77603



CD0006



NOTES:

1. THREE LEAD MOTOR MAY BE EITHER WYE CONNECTED OR DELTA CONNECTED.
2. INTERCHANGE ANY TWO LINE LEADS TO REVERSE ROTATION.
3. OPTIONAL THERMOSTATS ARE PROVIDED WHEN SPECIFIED.
4. ACTUAL NUMBER OF INTERNAL PARALLEL CIRCUITS MAY VARY.
5. LEAD COLORS ARE OPTIONAL. LEADS MUST BE NUMBERED AS SHOWN.

CD0006

REV. DESC: ADD CLASS CONN00000007		
REV. LTR: E	VERSION: 01	TDR: 000001099922
FILE: \AAA\00005\141	REVISED: 10:24:49 02/19/2019	BY: ENBRIRO
MTL: -		© □

**BALDOR - RELIANCE®**

3PH, SV, 3 LEADS, WYE OR DELTA CONNECTED

SH 1 of 1