

BALDOR • RELIANCE

Customer information packet

CDRX281564T

15HP, 1175//985RPM, 3PH, 60/50HZ, 284TC, XPFC

Class - CLI GP C,D

Division - Division I

Copyright © All product information within this document is subject to ABB Motors and Mechanical Inc. copyright © protection, unless otherwise noted.

9/12/2024 8:38:22 PM

Specifications

Enclosure	XPFC
Frame	284TC
Frame Material	Iron
Frequency	50.00 Hz 60.00 Hz
Haz Area Class and Group	CLI GP C,D
Haz Area Division	Division I
Motor Letter Type	Three Phase
Output @ Frequency	10.000 HP @ 50 HZ 15.000 HP @ 60 HZ
Phase	3
Synchronous Speed @ Frequency	1200 RPM @ 60 HZ
Voltage @ Frequency	380.0 V @ 50 HZ 230.0 V @ 60 HZ 190.0 V @ 50 HZ 460.0 V @ 60 HZ
Agency Approvals	CSA EEV UL
Ambient Temperature	40 °C
Auxillary Box	No Auxillary Box
Auxillary Box Lead Termination	None
Base Indicator	Rigid
Bearing Grease Type	Polyrex EM (-20F +300F)
Blower	None
Constant Torque Speed Range	6
Current @ Voltage	42.000 A @ 230.0 V 42.000 A @ 208.0 V 36.000 A @ 190.0 V 21.000 A @ 460.0 V 18.000 A @ 380.0 V
Design Code	A
Drip Cover	No Drip Cover

Part detail

Revision	F
Type	AC
Mech. spec.	
Base	
Status	PRD/A
Elec. spec.	10WGY561
Layout	10LY-000-133
Eff. date	07-17-2023
CD Diagram	CD0180
Poles	06
Leads	9#10
Proprietary	False
Created date	05-31-2019

Duty Rating	CONT
Efficiency @ 100% Load	91.7 %
Electrically Isolated Bearing	Not Electrically Isolated
Feedback Device	NO FEEDBACK
Haz Area Temp Code	T3C
Heater Indicator	No Heater
High Voltage Full Load Amps	18.0 a
Insulation Class	F
Inverter Code	Inverter Duty
IP Rating	NONE
KVA Code	H
Lifting Lugs	Standard Lifting Lugs
Locked Bearing Indicator	Locked Bearing
Max Speed	1800 rpm
Motor Lead Termination	Flying Leads
Motor Standards	NEMA
Motor Type	1046M
Mounting Arrangement	F1
Number of Poles	6
Overall Length	28.61 IN
Power Factor	73
Product Family	Hazardous Location Motor
Pulley Face Code	C-Face
Rodent Screen	None
RoHS Status	ROHS NON-COMPLIANT
Service Factor	1.00
Shaft Diameter	1.875 IN
Shaft Ground Indicator	No Shaft Grounding
Shaft Rotation	Reversible
Speed	1175 rpm
Speed Code	Single Speed
Starting Method	Direct on line
Thermal Device - Bearing	None
Thermal Device - Winding	Normally Closed Thermostat

Vibration Sensor Indicator	No Vibration Sensor
Winding Thermal 1	None
Winding Thermal 2	None

Nameplate

NP1401XPSLEV										
NO.		CC	010A							
S/N		TEMP CODE	T3C							
SPEC.	10-0000-0833		INV.TYPE	PWM						
CAT.NO.	CDRX281564T		C HP FR	60	C HP TO	90				
HP	15//10		CT HZ FROM	6	CT HZ TO	60				
VOLTS	230/460//190/380		VT HZ FROM	6	VT HZ TO	60				
AMPS	42/21//36/18		MAG CUR	22/11						
RPM	1175//985		MX RPM	1800						
HZ	60//50	PH	3	CL	F	NOM.EFF.	91.7			
SER.F.	1.00	DES	A	SL HZ	1.3	WK2	4.9			
FRAME	284TC	RATING	40C AMB-CONT							
	55C AMB @ 1.0 SF, 60C RISE									
	1.15SF ON SINEWAVE									

AC Induction Motor Performance Data

Record # 67038

Typical performance - not guaranteed values

Winding: 10WGY561-R013		Type: 1046M		Enclosure: XPFC	
Nameplate Data			460 V, 60 Hz: High Voltage Connection		
Rated Output (HP)	15	Full Load Torque	66.68 LB-FT		
Volts	230/460	Start Configuration	direct on line		
Full Load Amps	42/21	Breakdown Torque	213 LB-FT		
R.P.M.	1175	Pull-up Torque	93.1 LB-FT		
Hz	60 Phase	3	Locked-rotor Torque	114 LB-FT	
NEMA Design Code	A KVA Code	H	Starting Current	144 A	
Service Factor (S.F.)		1	No-load Current	12.4 A	
NEMA Nom. Eff.	91.7 Power Factor	73	Line-line Res. @ 25°C	0.502 Ω	
Rating - Duty	40C AMB-CONT		Temp. Rise @ Rated Load	43°C	
			Locked-rotor Power Factor	32.9	
			Rotor inertia	5.63 lb-ft ²	

Load Characteristics 460 V, 60 Hz, 15 HP

% of Rated Load	25	50	75	100	125	150
Power Factor	32	52	65	72	76	78
Efficiency	83	89.4	91.3	91.7	91.4	90.8
Speed	1196	1193	1189	1185	1181	1177
Line amperes	13.2	15.1	17.9	21.3	25.3	29.6

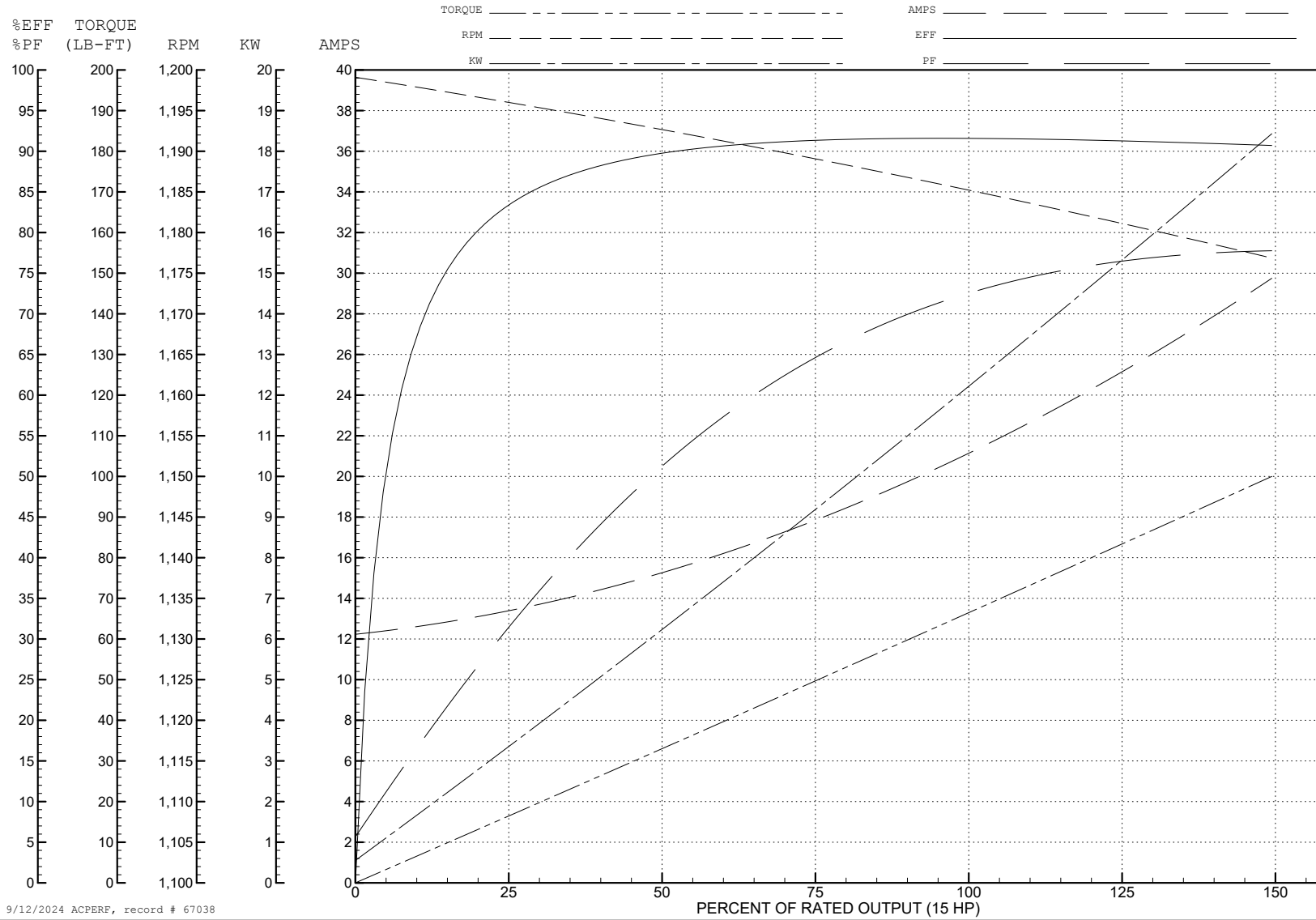
ABB Motors and Mechanical Inc.

WINDING # 10WGY561

Typical performance - not guaranteed values.

15 HP 3 PH 60 HZ 1175 RPM 460 V 1046M

TORQUES (LB-FT): PO=213 PU=93.1 LR=114 LRA=144



9/12/2024 ACPERF, record # 67038

AC Induction Motor Performance Data

Record # 75699

Typical performance - not guaranteed values

Winding: 10WGY561-R010		Type: 1046M		Enclosure: XPFC		
Nameplate Data			380 V, 50 Hz: High Voltage Connection			
Rated Output (HP)	15//10		Full Load Torque	53.33 LB-FT		
Volts	230/460//190/380		Start Configuration	direct on line		
Full Load Amps	42/21//36/18		Breakdown Torque	205 LB-FT		
R.P.M.	1175//985		Pull-up Torque	95.7 LB-FT		
Hz	60//50	Phase	3	Locked-rotor Torque	117 LB-FT	
NEMA Design Code	A		KVA Code	H	Starting Current	139 A
Service Factor (S.F.)	1			No-load Current	12.06 A	
NEMA Nom. Eff.	91.7	Power Factor	73	Line-line Res. @ 25°C	0.502 Ω	
Rating - Duty	40C AMB-CONT			Temp. Rise @ Rated Load	34°C	
				Locked-rotor Power Factor	36.5	
				Rotor inertia	5.63 lb-ft ²	

Load Characteristics 380 V, 50 Hz, 10 HP

% of Rated Load	25	50	75	100	125	150
Power Factor	28	46	59	67	72	76
Efficiency	80.7	88.1	90.4	91.1	91	90.5
Speed	997	994	991	988	985	981
Line amperes	12.64	14.01	16.05	18.57	21.57	24.81

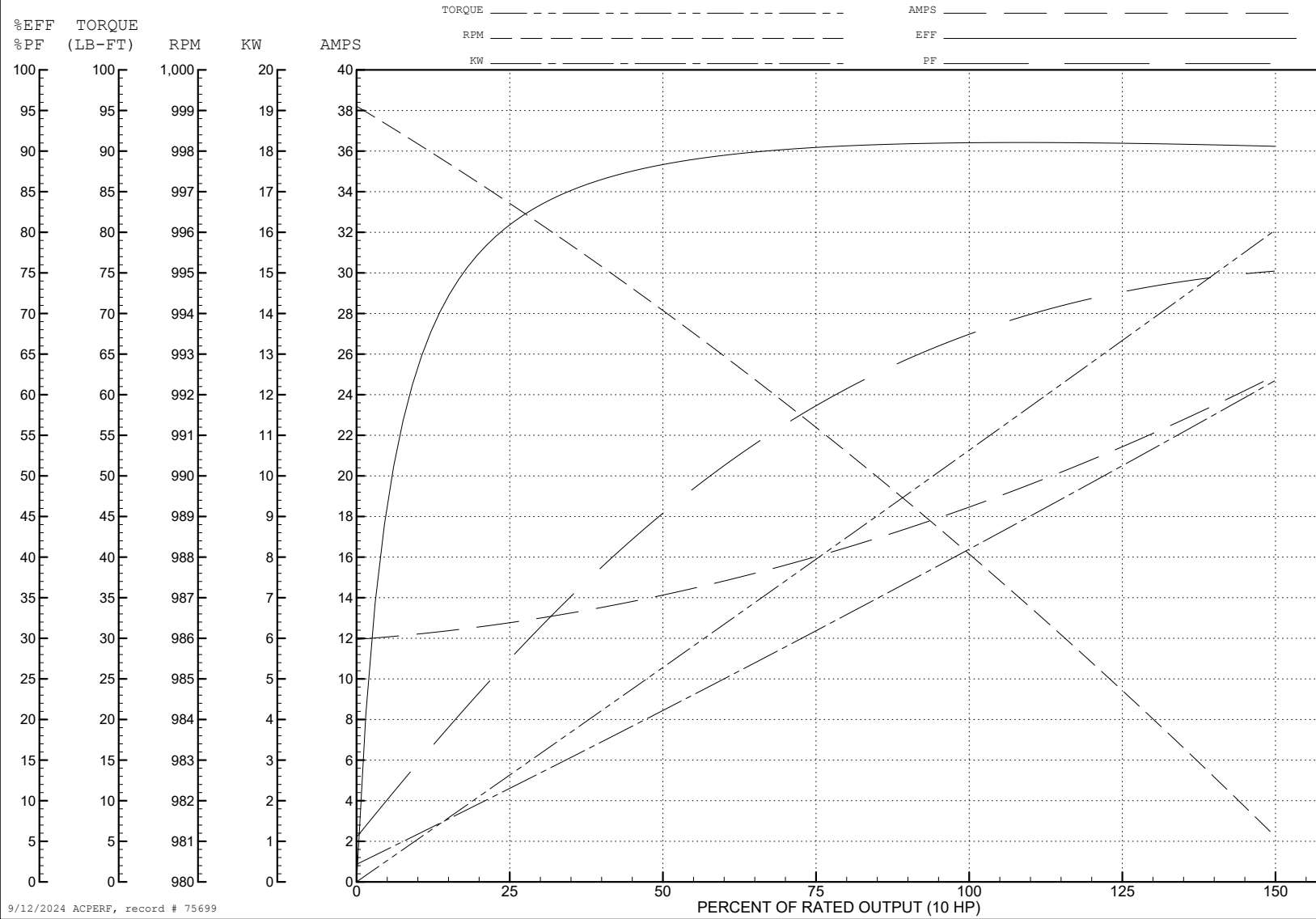
ABB Motors and Mechanical Inc.

WINDING # 10WGY561

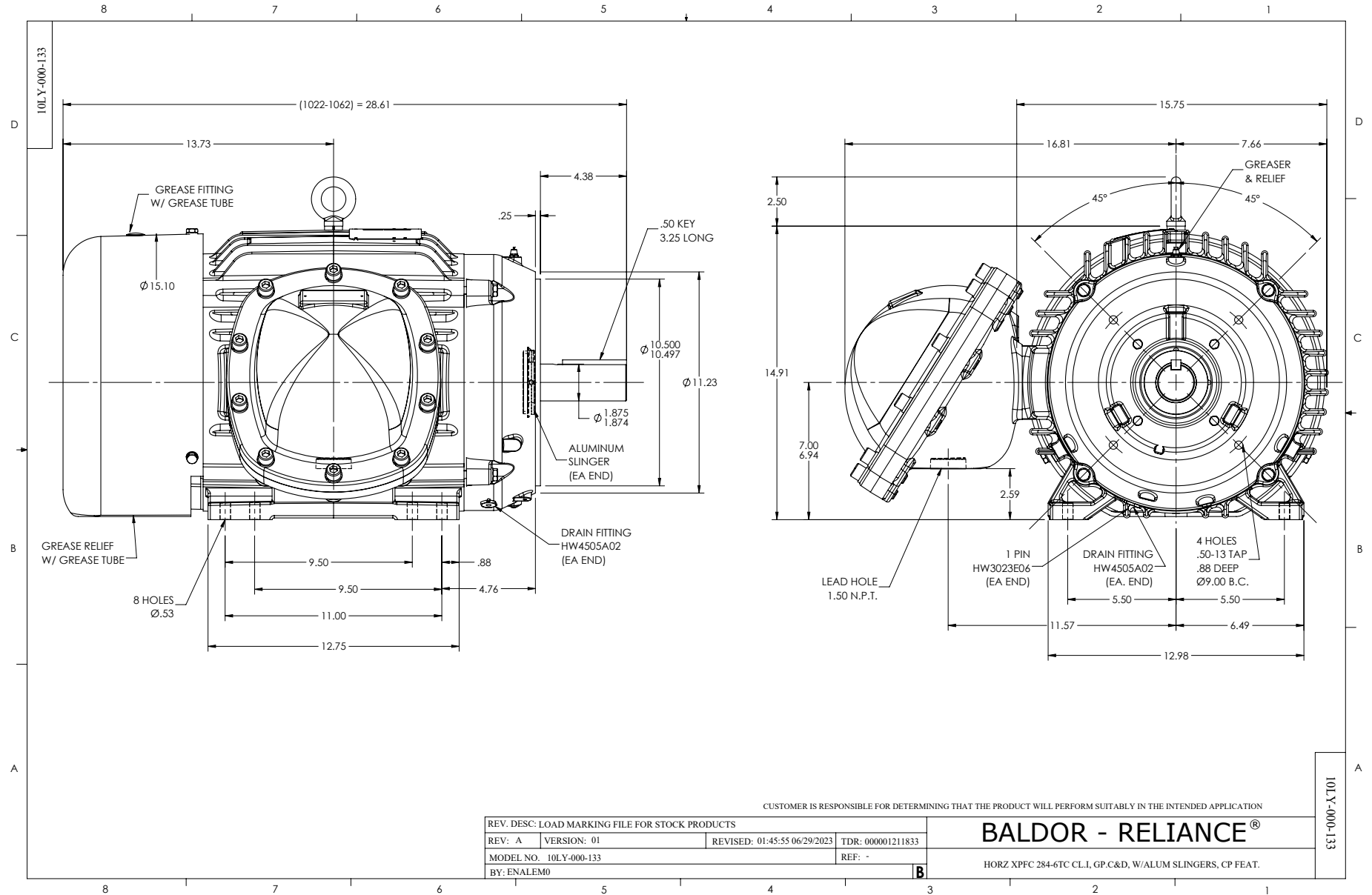
Typical performance - not guaranteed values.

10 HP 3 PH 50 HZ 988 RPM 380 V 1046M

TORQUES (LB-FT): PO=205 PU=95.7 LR=117 LRA=139



9/12/2024 ACPERF, record # 75699



CD0180



LOW VOLTAGE
(2D)



HIGH VOLTAGE
(1D)



NOTES:

1. INTERCHANGE ANY TWO LINE LEADS TO REVERSE ROTATION.
2. OPTIONAL THERMOSTATS ARE PROVIDED WHEN SPECIFIED.
3. ACTUAL NUMBER OF INTERNAL PARALLEL CIRCUITS MAY BE A MULTIPLE OF THOSE SHOWN ABOVE.
4. LEAD COLORS ARE OPTIONAL. LEADS MUST ALWAYS BE NUMBERED AS SHOWN.

CD0180

REV. DESC: ADD CLASS CONN00000007		
REV. LTR: D	VERSION: 01	TDR: 000001099922
FILE: \AAA\00005\148	REVISED: 10: 25: 29 02/19/2019	BY: ENBRIRO
MTL: -	© □	

BALDOR - RELIANCE®

3PH, DV, 9 LEADS, DELTA CONNECTION

SH 1 of 1