



Customer information packet

CDRX251544T-5

15HP, 1765RPM, 3PH, 60HZ, 254TC, XPFC, F1

Class - CLI GP C,D

Division - Division I

Specifications

Enclosure	XPFC
Frame	254TC
Frame Material	Iron
Frequency	60.00 Hz
Haz Area Class and Group	CLI GP C,D
Haz Area Division	Division I
Motor Letter Type	Three Phase
Output @ Frequency	15.000 HP @ 60 HZ
Phase	3
Synchronous Speed @ Frequency	1800 RPM @ 60 HZ
Voltage @ Frequency	575.0 V @ 60 HZ
Agency Approvals	CSA EEV UL
Ambient Temperature	40 °C
Auxillary Box	No Auxillary Box
Auxillary Box Lead Termination	None
Base Indicator	Rigid
Bearing Grease Type	Polyrex EM (-20F +300F)
Blower	None
Constant Torque Speed Range	6
Current @ Voltage	14.600 A @ 575.0 V
Design Code	A
Drip Cover	No Drip Cover
Duty Rating	CONT
Efficiency @ 100% Load	92.4 %
Electrically Isolated Bearing	Not Electrically Isolated
Feedback Device	NO FEEDBACK
Haz Area Temp Code	T3C
Heater Indicator	No Heater
High Voltage Full Load Amps	14.6 a
Insulation Class	F
Inverter Code	Inverter Duty

Part detail

Revision	H
Type	AC
Mech. spec.	
Base	
Status	PRD/A
Elec. spec.	09WGT124
Layout	09LYF368
Eff. date	02-14-2024
CD Diagram	CD0006
Poles	04
Leads	3#12
Proprietary	False
Created date	06-04-2019

IP Rating	NONE
KVA Code	H
Lifting Lugs	Standard Lifting Lugs
Locked Bearing Indicator	Locked Bearing
Max Speed	2700 rpm
Motor Lead Termination	Flying Leads
Motor Standards	NEMA
Motor Type	0944M
Mounting Arrangement	F1
Number of Poles	4
Overall Length	26.00 IN
Power Factor	83
Product Family	Hazardous Location Motor
Pulley Face Code	C-Face
Rodent Screen	None
RoHS Status	ROHS NON-COMPLIANT
Service Factor	1.00
Shaft Diameter	1.625 IN
Shaft Ground Indicator	No Shaft Grounding
Shaft Rotation	Reversible
Speed	1765 rpm
Speed Code	Single Speed
Starting Method	Direct on line
Thermal Device - Bearing	None
Thermal Device - Winding	Normally Closed Thermostat
Vibration Sensor Indicator	No Vibration Sensor
Winding Thermal 1	None
Winding Thermal 2	None

Nameplate

NP1401XPSLEV									
NO.		CC	010A						
S/N		TEMP CODE	T3C						
SPEC.	09-0000-1448		INV.TYPE	PWM					
CAT.NO.	CDRX251544T-5		C HP FR	60	C HP TO	90			
HP	15		CT HZ FROM	6	CT HZ TO	60			
VOLTS	575		VT HZ FROM	6	VT HZ TO	60			
AMPS	14.6		MAG CUR	6.1					
RPM	1765		MX RPM	2700					
HZ	60	PH	3	CL	F	NOM.EFF.	92.4		
SER.F.	1.00	DES	A	SL HZ	1.2	WK2	1.93		
FRAME	254TC	RATING	40C AMB-CONT						
	55C AMB @ 1.0 SF, 60C RISE								
	1.15SF ON SINEWAVE		NEMA MG-1 PT.5,IP55						

AC Induction Motor Performance Data

Record # 60046

Typical performance - not guaranteed values

Winding: 09WGT124-R014		Type: M	Enclosure: XPFC	
Nameplate Data			575 V, 60 Hz: Single Voltage Motor	
Rated Output (HP)	15	Full Load Torque	44.5 LB-FT	
Volts	575	Start Configuration	direct on line	
Full Load Amps	14.6	Breakdown Torque	153 LB-FT	
R.P.M.	1765	Pull-up Torque	69.5 LB-FT	
Hz	60 Phase	3	Locked-rotor Torque	86.5 LB-FT
NEMA Design Code	A KVA Code	H	Starting Current	102 A
Service Factor (S.F.)	1	No-load Current	6.05 A	
NEMA Nom. Eff.	92.4 Power Factor	83	Line-line Res. @ 25°C	0.874 Ω
Rating - Duty	40C AMB-CONT		Temp. Rise @ Rated Load	54°C
			Locked-rotor Power Factor	33
			Rotor inertia	1.92 LB-FT ²

Load Characteristics 575 V, 60 Hz, 15 HP

% of Rated Load	25	50	75	100	125	150
Power Factor	45	69	78	83	85	87
Efficiency	88.1	92.3	92.6	92.4	91.5	90.5
Speed	1791	1783	1774	1765	1755	1743
Line amperes	6.9	8.8	11.6	14.6	18.1	21.5

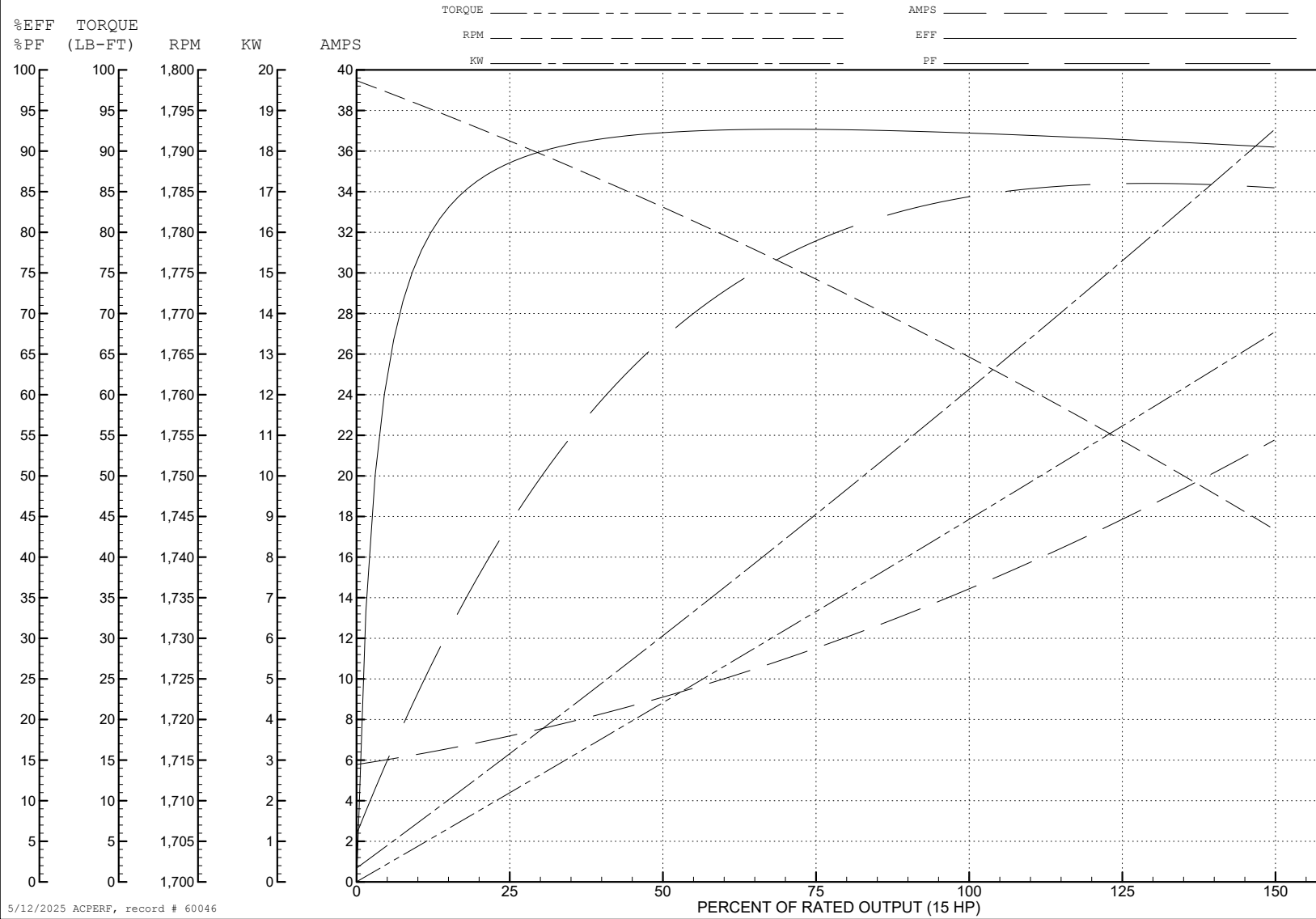
ABB Motors and Mechanical Inc.

WINDING # 09WGT124

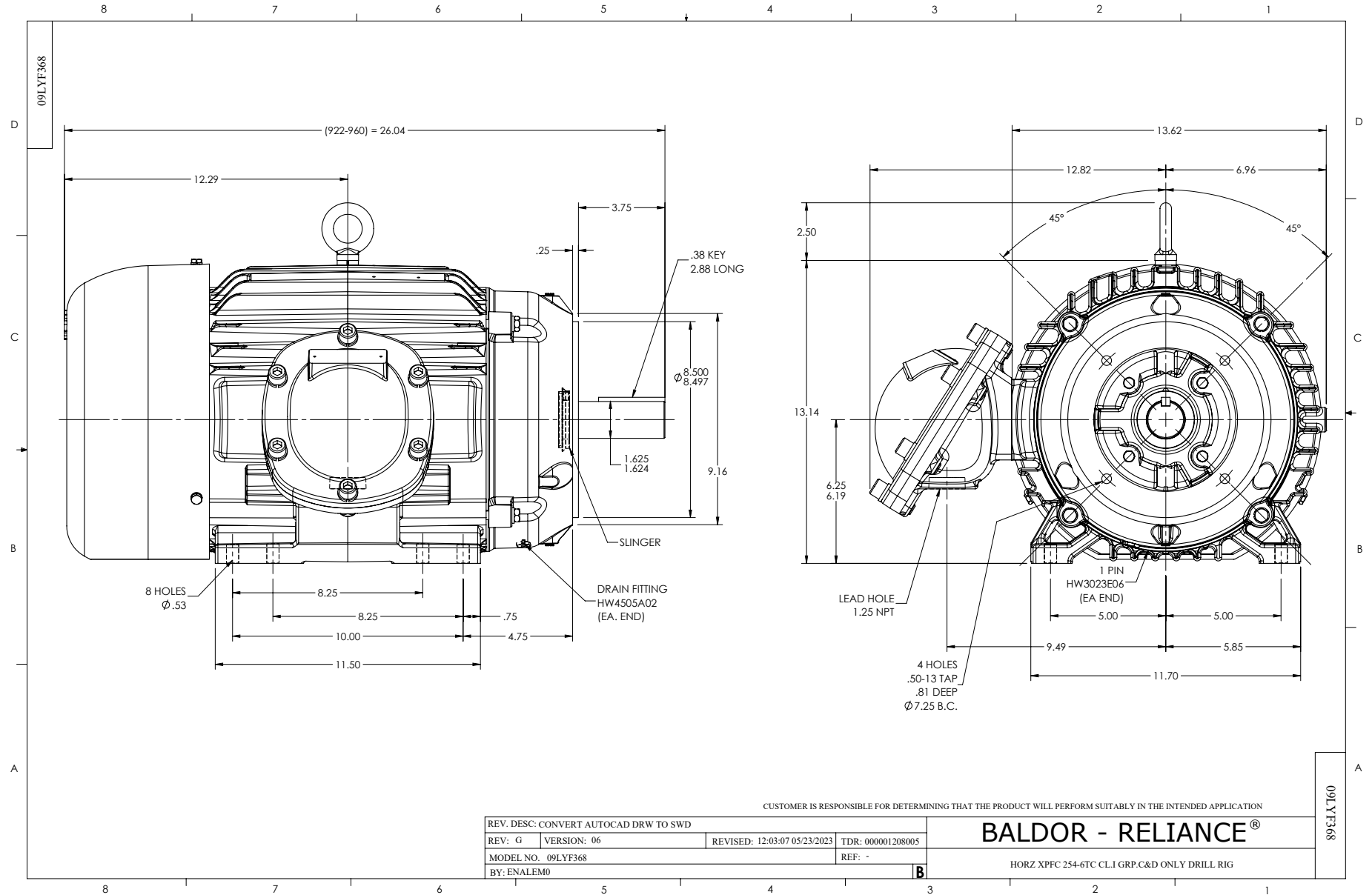
Typical performance - not guaranteed values.

15 HP 3 PH 60 HZ 1765 RPM 575 V M

TORQUES (LB-FT): PO=153 PU=69.5 LR=86.5 LRA=102



5/12/2025 ACPERF, record # 60046



CD0006



NOTES:

1. THREE LEAD MOTOR MAY BE EITHER WYE CONNECTED OR DELTA CONNECTED.
2. INTERCHANGE ANY TWO LINE LEADS TO REVERSE ROTATION.
3. OPTIONAL THERMOSTATS ARE PROVIDED WHEN SPECIFIED.
4. ACTUAL NUMBER OF INTERNAL PARALLEL CIRCUITS MAY VARY.
5. LEAD COLORS ARE OPTIONAL. LEADS MUST BE NUMBERED AS SHOWN.

CD0006

REV. DESC: ADD CLASS CONN00000007		
REV. LTR: E	VERSION: 01	TDR: 000001099922
FILE: \AAA\00005\141	REVISED: 10:24:49 02/19/2019	BY: ENBRIRO
MTL: -		© □

BALDOR - RELIANCE®

3PH, SV, 3 LEADS, WYE OR DELTA CONNECTED

SH 1 of 1