



Customer information packet

CDPX3426

.5HP, 1750RPM, DC, 56C, X3428P, XPFC, F1

Class - CLI GP D; CLII GP F,G

Division -

Specifications

Armature Voltage	180 V
Base Speed	1750 rpm
Enclosure	XPFC
Frame	56C
Frame Material	Steel
Output Power	0.500 HP
XP Class and Group	CLI GP D; CLII GP F,G
Agency Approvals	CSA UL UR
Ambient Temperature	40 °C
Armature Current	2.5 a
Armature Inertia	10.926 lb-ft ²
Base Indicator	Rigid
Bearing Grease Type	Polyrex EM (-20F +300F)
Drip Cover	No Drip Cover
Duty Rating	CONT
Feedback Device	NO FEEDBACK
Heater Indicator	No Heater
Lifting Lugs	No Lifting Lugs
Motor Lead Exit	Ko Box
Motor Lead Quantity/Wire Size	2 @ 14 AWG, A
Motor Lead Termination	Flying Leads
Motor Standards	NEMA
Mounting Arrangement	F1
Overall Length	14.87 IN
Product Family	Hazardous Location Motor
Pulley End Bearing Type	Sealed Bearing
Service Factor	1.00
Shaft Diameter	0.625 IN
Shaft Extension Location	Pulley End
Shaft Ground Indicator	No Shaft Grounding

Part detail

Revision	AB
Type	DC
Mech. spec.	34-6519
Base	
Status	PRD/A
Elec. spec.	34WG3946
Layout	34LY6519
Eff. date	01-04-2020
CD Diagram	CD0194
Poles	00
Leads	2#14 A,2#18 JJ Y
Proprietary	False
Created date	01-01-0001

Shaft Rotation	Reversible
Shaft Slinger Indicator	No Slinger
XP Temp Code	T3C

Nameplate

NP0727XPSL			
NO.			
SER.			
SPEC.	34-6519-3946G1		
CAT.NO.	CDPX3426	T. CODE	T3C
HP	.5	ENCL	XPFC
RPM	1750		
FRAME	56C	TYPE	3428P
ARM V	180	ARM A	2.5
FLD V		FLD A	
INSUL	F	AMB.	40
DUTY	CONT	SUPPLY	1.5
BRG/DE	6203	BRG/ODE	6203
BRUSHES	2/BP5011CV01		
BLANK			

DC Motor Performance Data

Record # 1432

Typical performance - not guaranteed values

Winding: 34WG3946-R003		Type: 3428P	Enclosure: XPFC
Nameplate Data		General Characteristics	
Rated Output (HP)	0.5	Armature Resistance @ 25°C	2.728 Ω
R.P.M.	1750		
Armature Volts	180		
Armature Amps	2.5		
Field Volts		Armature Inductance	27.3166 mH
Field Amps			
Rating - Duty	40C AMB-CONT		
Form Factor	1.5		

Load Characteristics at 180 Armature Volts

Load Point	1	2	3	4	5	6	7
Armature Amps	0.16	5.66	7.36	9.76	12.96	15.36	17.76
R.P.M.	1985	1750	1678	1576	1439	1337	1234
Torque (LB-FT)	0	3.44	4.5	6	8	9.5	11

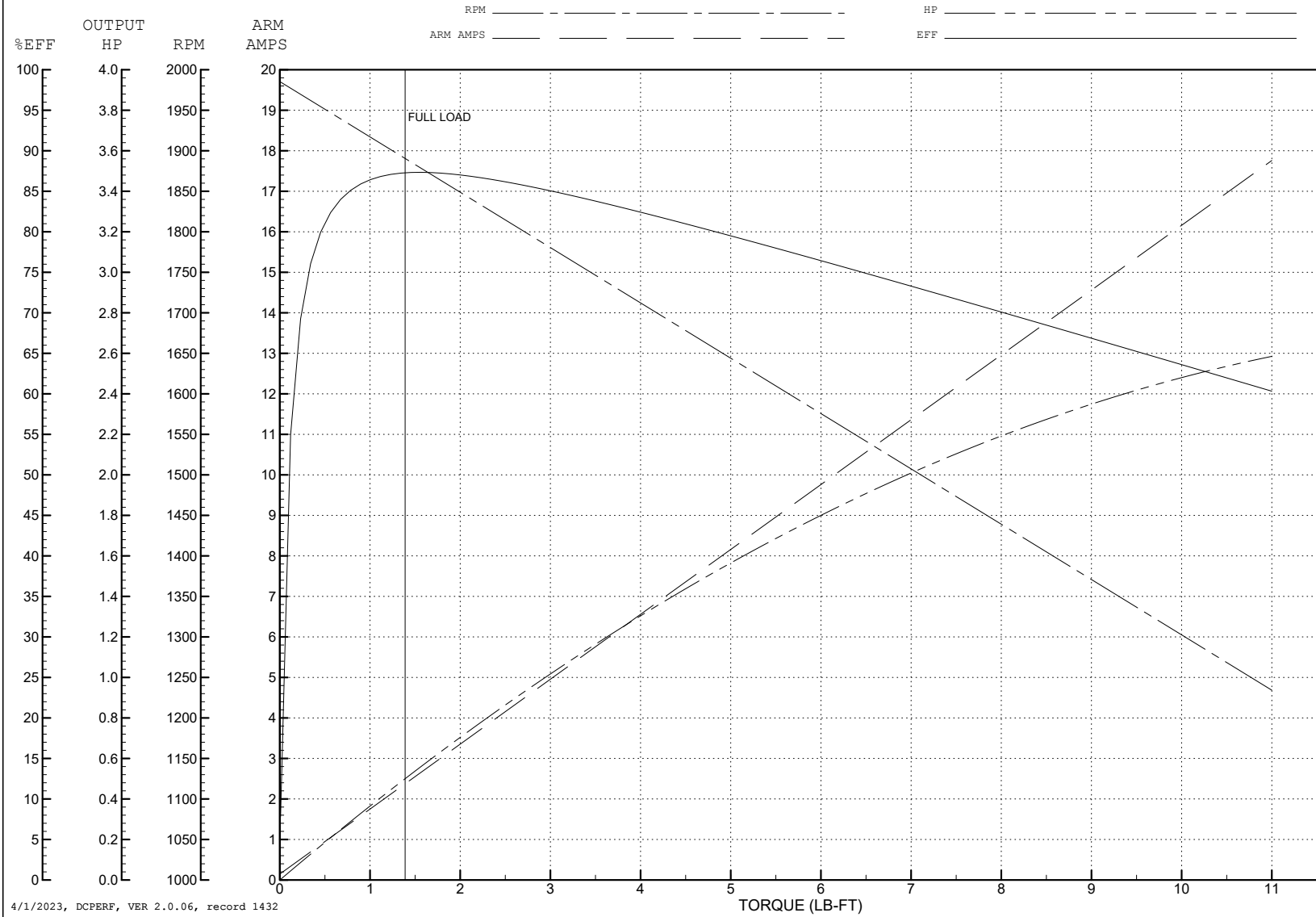
ABB Motors and Mechanical Inc.

WINDING # 34WG3946

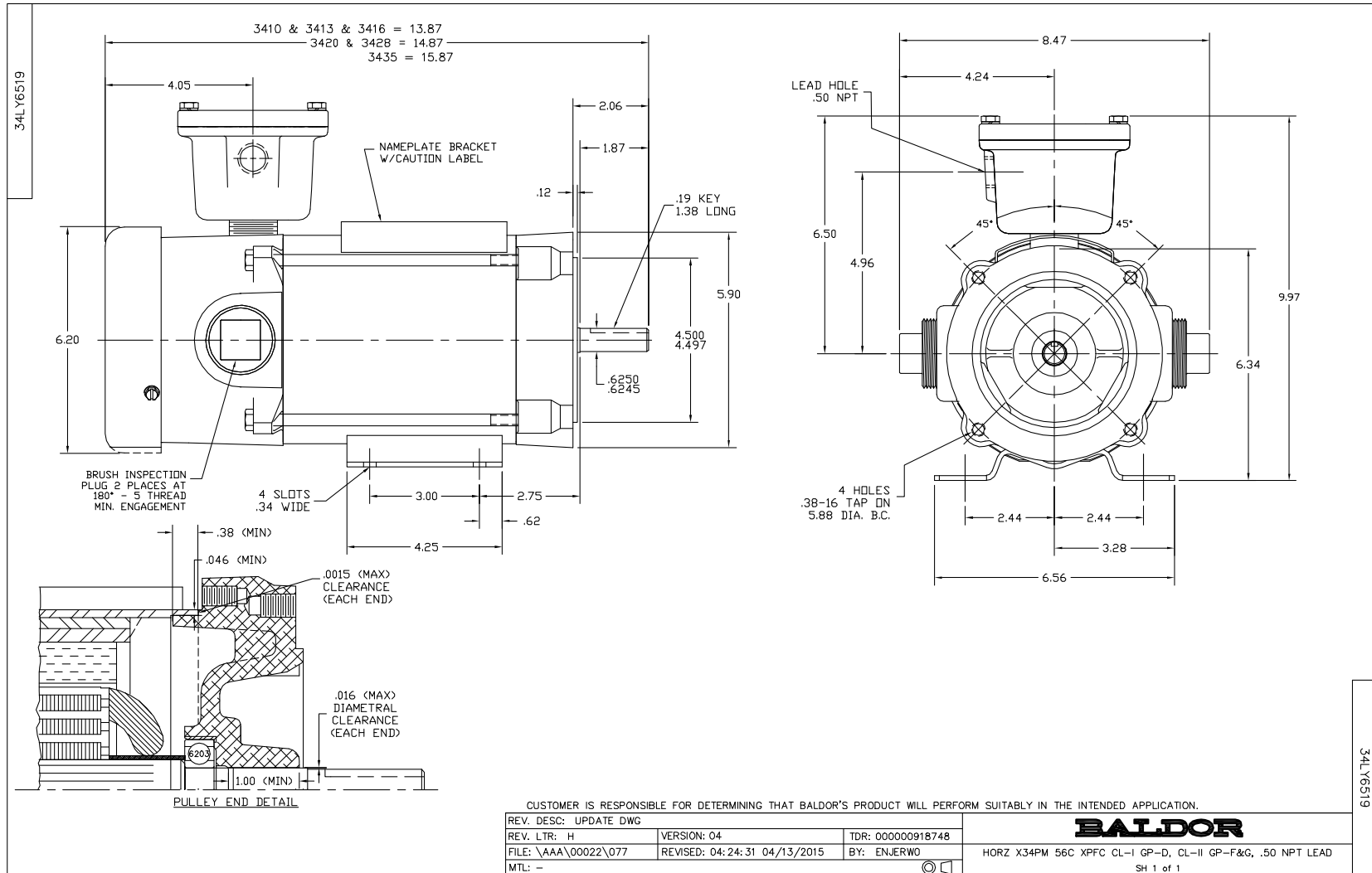
0.5 HP DC 1750 RPM 180 V 3428P

Typical performance - not guaranteed values.

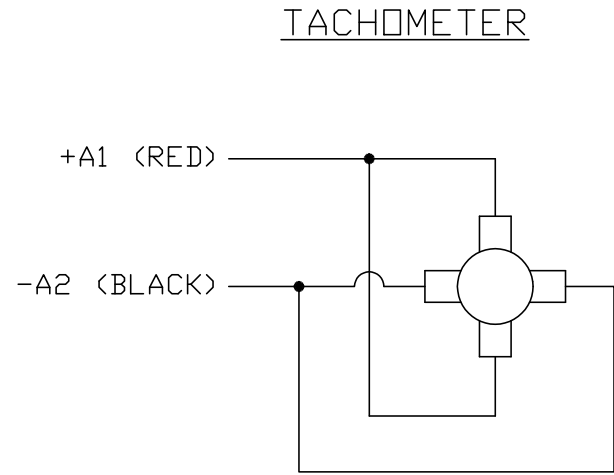
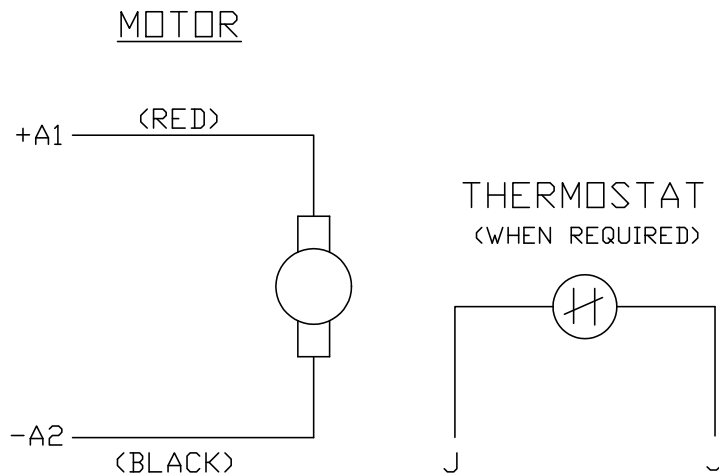
ENCL: XPFC DUTY: CONT CL: F



4/1/2023, DCPERF, VER 2.0.06, record 1432



CD0194



NOTES:

1. CCW ROTATION AS SHOWN FACING COMMUTATOR END. TO REVERSE MOTOR ROTATION OR TACHOMETER OUTPUT POLARITY INTERCHANGE LEADS A1(RED) & A2(BLACK)
2. LEAD COLORS FOR REFERENCE ONLY & NOT SPECIFIED BY THIS DRAWING. LEAD COLORS SPECIFIED BY LAYOUT DRAWING & BILL OF MATERIAL ONLY.

MATL: -			
REV: E	ADDED NOTE "LEAD COLORS FOR REFERENCE ONLY &..."		
CD0194	SCALE: -	BY: CK	REVISED: 07/28/95
	FILE: AAA00004503	TDR: 0078737	

BALDOR ELECTRIC Co.

CD TYPE P DC PERMANENT MAGNET MOTORS AND TACHOMETERS

CD0194