

ABB BALDOR RELIANCE III

Customer information packet

CDPX3420

.33HP, 1750RPM, DC, 56C, X3420P, XPFC, F1

Class - CLI GP D; CLII GP F,G

Division -

Specifications

Armature Voltage	90 V
Base Speed	1750 rpm
Enclosure	XPFC
Frame	56C
Frame Material	Steel
Haz Area Class and Group	CLI GP D; CLII GP F,G
Output Power	0.330 HP
Agency Approvals	CSA UL UR
Ambient Temperature	40 °C
Armature Current	3.6 a
Armature Inertia	7.804 lb-ft ²
Base Indicator	Rigid
Bearing Grease Type	Polyrex EM (-20F +300F)
Drip Cover	No Drip Cover
Duty Rating	CONT
Feedback Device	NO FEEDBACK
Haz Area Temp Code	T3C
Heater Indicator	No Heater
Lifting Lugs	No Lifting Lugs
Motor Lead Exit	Ko Box
Motor Lead Quantity/Wire Size	2 @ 14 AWG, A
Motor Lead Termination	Flying Leads
Motor Standards	NEMA
Mounting Arrangement	F1
Overall Length	14.87 IN
Product Family	Hazardous Location Motor
Pulley End Bearing Type	Sealed Bearing
Service Factor	1.00
Shaft Diameter	0.625 IN
Shaft Extension Location	Pulley End

Part Detail

Revision	AE
Type	DC
Mech. spec.	34-6519
Base	
Status	PRD/A
Elec. spec.	34WG3674
Layout	34LY6519
Eff. date	06-15-2023
CD Diagram	CD0194
Poles	00
Leads	2#14 A,2#18 JJ Y
Proprietary	False
Created date	01-01-0001

Shaft Ground Indicator	No Shaft Grounding
Shaft Rotation	Reversible
Shaft Slinger Indicator	No Slinger

Nameplate

NP0727XPSL			
NO.			
SER.			
SPEC.	34-6519-3674G1		
CAT.NO.	CDPX3420	T. CODE	T3C
HP	.33	ENCL	XPFC
RPM	1750		
FRAME	56C	TYPE	3420P
ARM V	90	ARM A	3.6
FLD V		FLD A	
INSUL	F	AMB.	40
DUTY	CONT	SUPPLY	1.5
BRG/DE	6203	BRG/ODE	6203
BRUSHES	2/BP5011CV01		
BLANK			

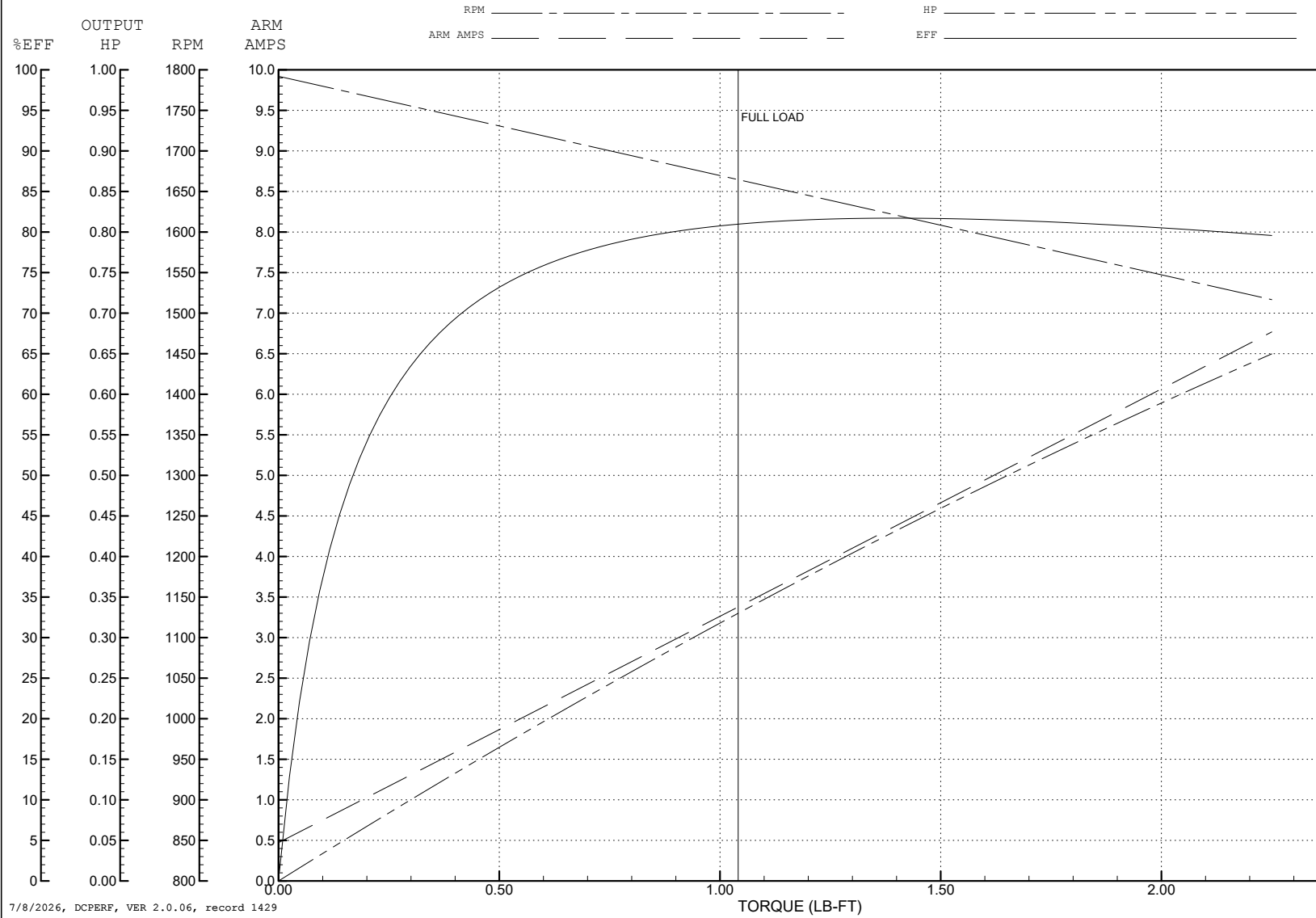
ABB Motors and Mechanical Inc.

WINDING # 34WG3674

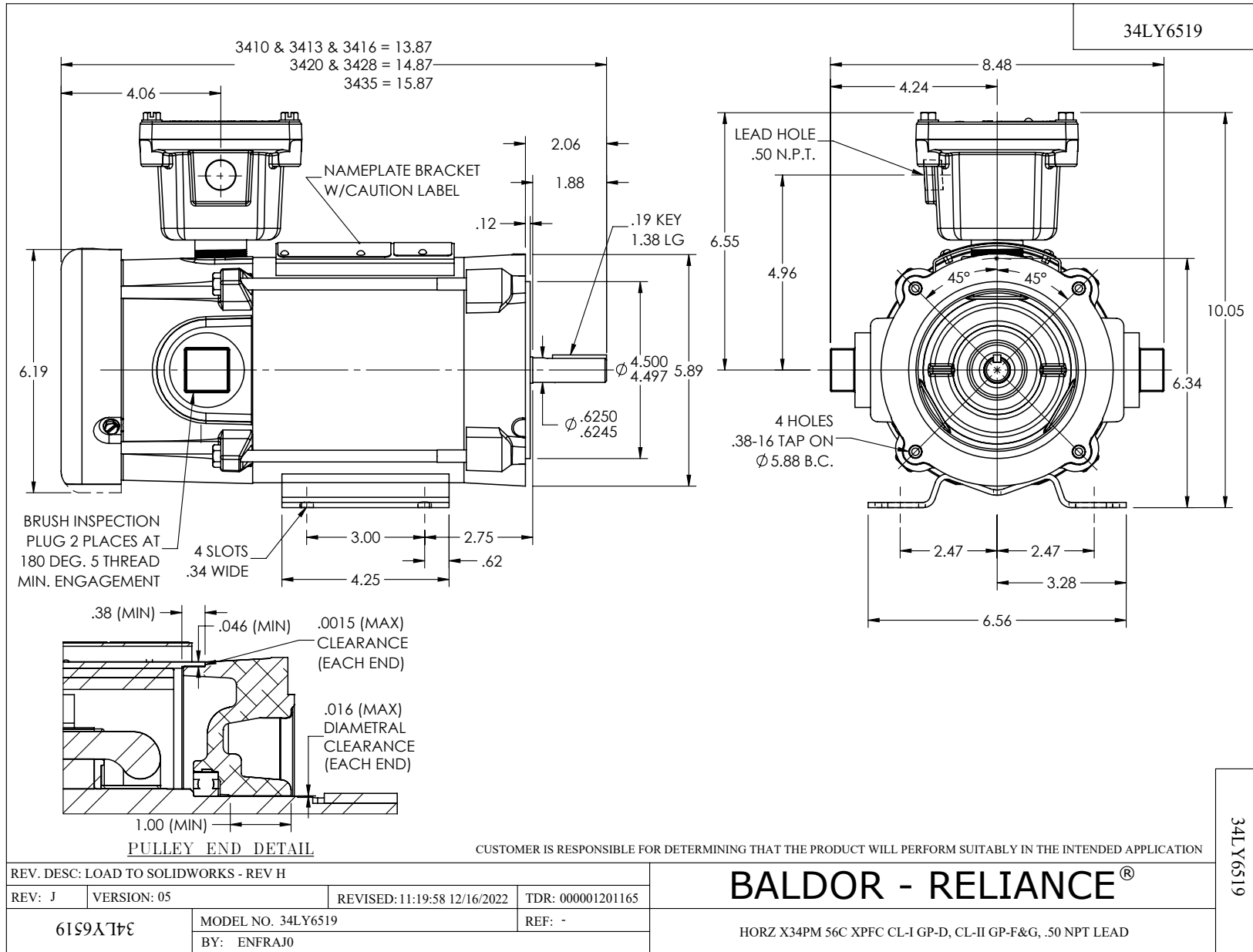
0.33 HP DC 1750 RPM 90 V 3420P

Typical performance - not guaranteed values.

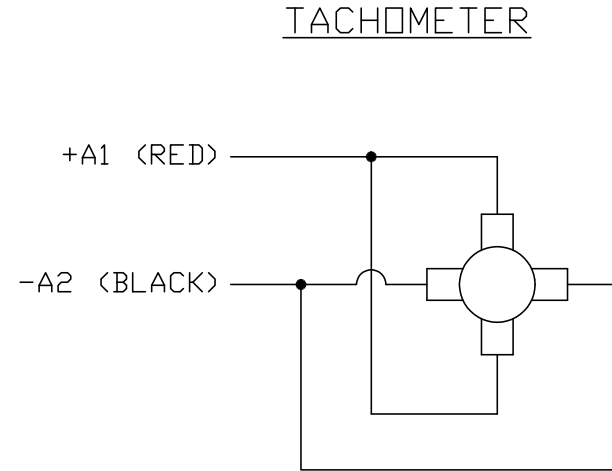
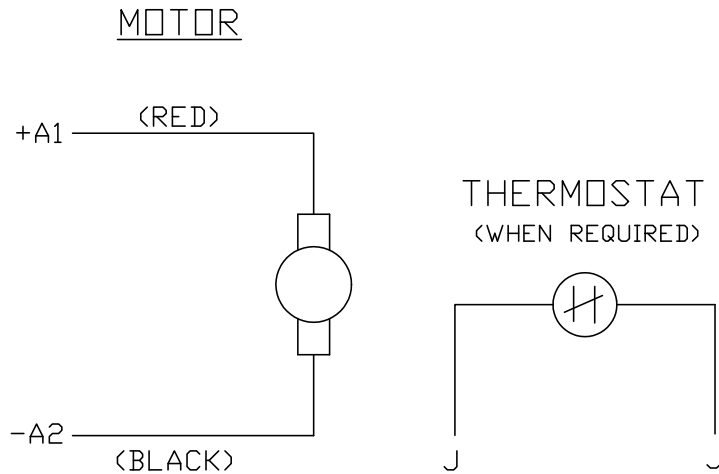
ENCL: TEFC DUTY: CONT CL: F



7/8/2026, DCPERF, VER 2.0.06, record 1429



CD0194



NOTES:

1. CCW ROTATION AS SHOWN FACING COMMUTATOR END. TO REVERSE MOTOR ROTATION OR TACHOMETER OUTPUT POLARITY INTERCHANGE LEADS A1(RED) & A2(BLACK)
2. LEAD COLORS FOR REFERENCE ONLY & NOT SPECIFIED BY THIS DRAWING. LEAD COLORS SPECIFIED BY LAYOUT DRAWING & BILL OF MATERIAL ONLY.

MATL: -			
REV: E	ADDED NOTE "LEAD COLORS FOR REFERENCE ONLY &..."		
761000 CD0194	SCALE: -	BY: CK	REVISED: 07/28/95
	FILE: AAA00004503	TDR: 0078737	

BALDOR ELECTRIC Co.

CD TYPE P DC PERMANENT MAGNET MOTORS AND TACHOMETERS

CD0194